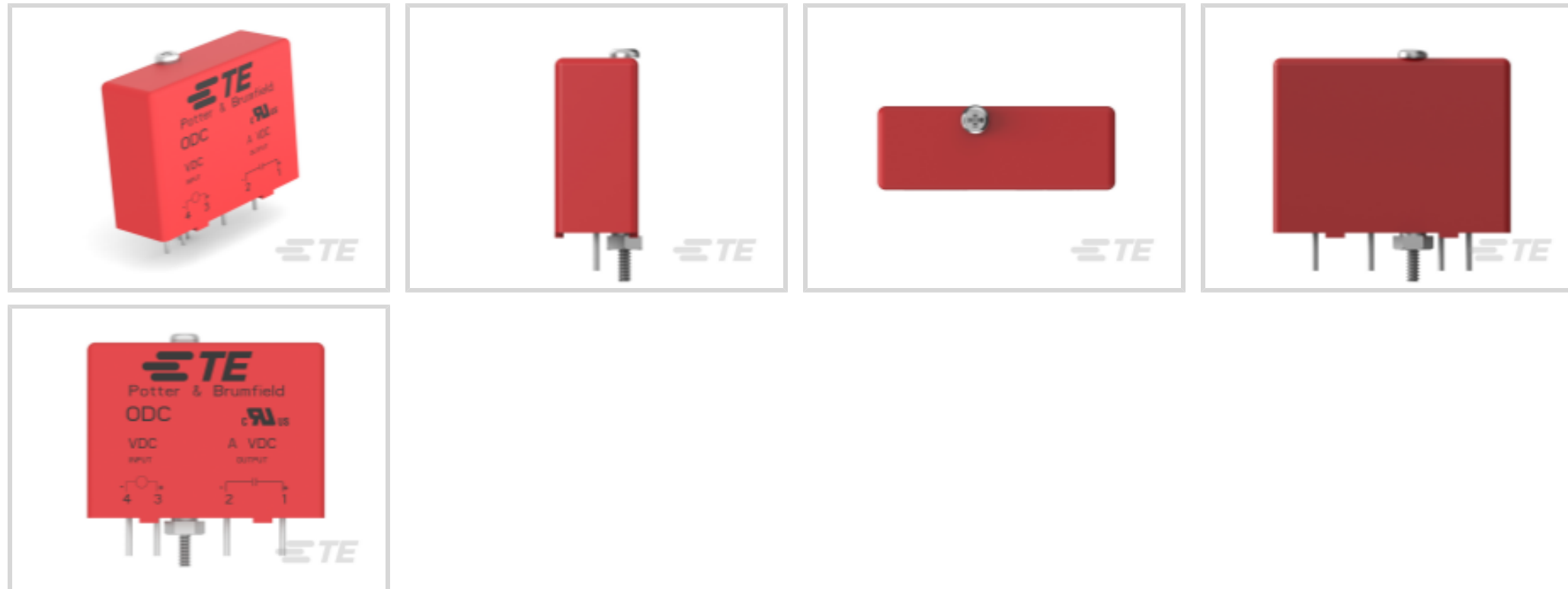




Relays & Contactors > Relays > Power Relays > P&B SSR OUTPUT DC MODULES



Relay Type: **Solid State Relay**

Contact Arrangement: **1 Form A (SPST-NO)**

Product Mount Type: **Printed Circuit Board**

Relay Connection Type: **PCB Termination**

Terminal Configuration: **Solder Pins**

[All P&B SSR OUTPUT DC MODULES \(6\)](#)

Features

Product Type Features

| | |
|------------|-------------------|
| Relay Type | Solid State Relay |
|------------|-------------------|

Configuration Features

| | |
|---------------------|--------------------|
| Contact Arrangement | 1 Form A (SPST-NO) |
|---------------------|--------------------|

Electrical Characteristics

| | |
|---|-------------|
| Output Voltage Rating (DC Relays) | 3 – 60 VDC |
| Insulation Initial Dielectric Between Contacts & Coil | 4000 Vrms |
| Input Voltage | 18 – 32 VDC |

Body Features

| | |
|-----------------------|---------------|
| Primary Product Color | Red |
| Product Weight | 35 g[1.38 oz] |

Termination Features

| | |
|-----------------------|-----------------|
| Relay Connection Type | PCB Termination |
|-----------------------|-----------------|



Terminal Configuration

Solder Pins

Mechanical Attachment

| | |
|-------------------------------|-----------------------|
| Product Mounting Feature Type | Hex Nut |
| Product Mount Type | Printed Circuit Board |

Dimensions

| | |
|----------------|-------------------|
| Product Width | 15.15 mm[.596 in] |
| Product Length | 42.3 mm[1.66 in] |
| Product Height | 31.7 mm[1.24 in] |

Usage Conditions

| | |
|-----------------------------|-------------|
| Operating Temperature Range | -30 – 80 °C |
|-----------------------------|-------------|

Operation/Application

| | |
|---------------------|------|
| Output Switching | Zero |
| Output Current Type | DC |

Product Compliance

[For compliance documentation, visit the product page on TE.com>](#)

| | |
|---|---|
| EU RoHS Directive 2011/65/EU | Compliant |
| EU ELV Directive 2000/53/EC | Compliant |
| China RoHS 2 Directive MIIT Order No 32, 2016 | No Restricted Materials Above Threshold |
| EU REACH Regulation (EC) No. 1907/2006 | Current ECHA Candidate List: JUNE 2024 (241) Candidate List Declared Against: JUNE 2024 (241) SVHC > Threshold: Pb (88% in Component Part) Article Safe Usage Statements: Do not eat, drink or smoke when using this product. Wash thoroughly after handling. Recycle if possible and dispose of the article by following all applicable governmental regulations relevant to your geographic location. |
| Halogen Content | Low Halogen - Br, Cl, F, I < 900 ppm per homogenous material. Also BFR/CFR/PVC Free |
| Solder Process Capability | Wave solder capable to 260°C |

Product Compliance Disclaimer

This information is provided based on reasonable inquiry of our suppliers and represents our current actual knowledge based on the information they provided. This information is subject to change. The part numbers that TE has identified as EU RoHS compliant have a maximum concentration of 0.1% by weight in homogenous materials for lead, hexavalent chromium, mercury, PBB, PBDE, DBP, BBP, DEHP, DIBP, and 0.01% for cadmium, or qualify for an exemption to these limits as defined in the Annexes of Directive 2011/65/EU (RoHS2). Finished electrical and electronic equipment products will be CE marked as required by Directive 2011/65/EU. Components may not be CE marked. Additionally, the part

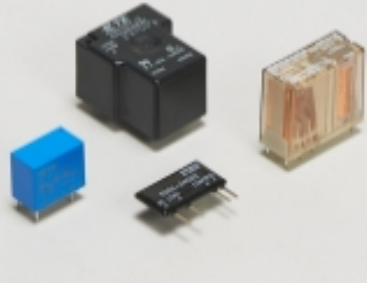
numbers that TE has identified as EU ELV compliant have a maximum concentration of 0.1% by weight in homogenous materials for lead, hexavalent chromium, and mercury, and 0.01% for cadmium, or qualify for an exemption to these limits as defined in the Annexes of Directive 2000/53/EC (ELV). Regarding the REACH Regulation, the information TE provides on SVHC in articles for this part number is based on the latest European Chemicals Agency (ECHA) 'Guidance on requirements for substances in articles' posted at this URL: <https://echa.europa.eu/guidance-documents/guidance-on-reach>

Compatible Parts



TE Part # 7-1393028-6
ODC-24A = PCB MOUNT, 1A, 250V
DC-DC I/p

Also in the Series | Potter & Brumfield ODC



Power Relays(6)

Customers Also Bought



TE Part #206434-1
CPC PLUG ASSEMBLY SIZE 11-8



TE Part #66361-3
III+ PIN, 18-14, 15AU/FL, LP



TE Part #205204-4
CRIMP SNAP PLUG ASSY, SIZE 1



TE Part #4-640441-2
12P MTA100 CONN ASSY WHT



TE Part #66507-9
PIN CONTACT, 20 DF



TE Part #5207719-3
KIT SCREWLOCK FEMALE CLEAR ZIN



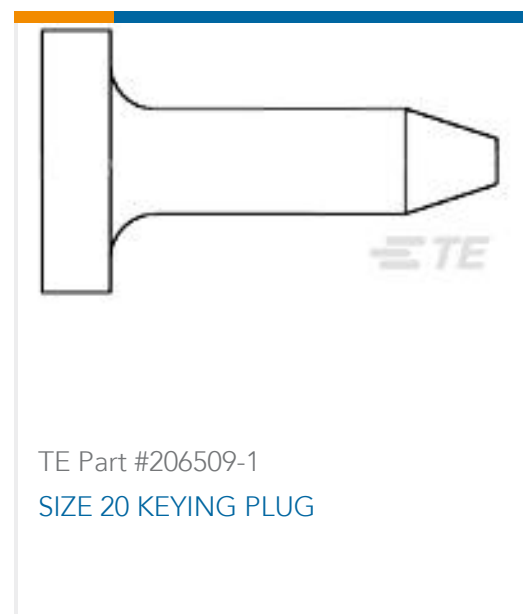
TE Part #350689-7
UMNL SOK 24-18 AUBR L/P



TE Part #170204-1
EIS RECPT CONTACT



TE Part #172343-1
MINI UNIVERSAL M-N-L HOUSING



TE Part #206509-1
SIZE 20 KEYING PLUG

Documents

CAD Files

Customer View Model

[ENG_CVM_CVM_7-1393028-5_C1.3d_igs.zip](#)

English

Customer View Model

[ENG_CVM_CVM_7-1393028-5_C1.3d_stp.zip](#)

English

Customer View Model

[ENG_CVM_CVM_7-1393028-5_C1.2d_dxf.zip](#)

English

3D PDF

3D

By downloading the CAD file I accept and agree to the [Terms and Conditions](#) of use.

Datasheets & Catalog Pages

[ODC_Datasheet](#)

English

[ODC DC Output Module Data Sheet](#)

English

Agency Approvals

[UL](#)

English