



**AMPLIMITE**

TE Internal #: 205204-9

Crimp D-Sub Connectors, Plug, Cable-to-Cable, 9 Position, Size 20

Contact Size, 1 Connector Shell Size, Mating Retention, Shielded

[View on TE.com >](#)

Connectors > D-Shaped Connectors > D-Sub Connectors > Crimp D-Sub Connectors > D-Sub Crimp: Plug, Signal, 9 Posn, Pin Size 20, Shell Size 1



Connector & Housing Type: **Plug**

Connector System: **Cable-to-Cable**

Number of Positions: **9**

Contact Size: **Size 20**

Connector Shell Size: **1**

[All D-Sub Crimp: Plug, Signal, 9 Posn, Pin Size 20, Shell Size 1 \(12\)](#)

**Features**

**Product Type Features**

Shell Material Configuration	Full Metal Shell
Connector & Contact Terminates To	Wire & Cable
Connector & Housing Type	Plug
Connector System	Cable-to-Cable
Connector Shell Size	1
Sealable	No

**Configuration Features**

Number of Positions	9
---------------------	---

**Body Features**

Insert Material	Thermoplastic
Shield Material	Steel
Shell Plating Material	Zinc

**Contact Features**



Contact Options	Order Separately
Contact Size	Size 20

### Termination Features

Termination Method to Wire & Cable	Crimp
------------------------------------	-------

### Mechanical Attachment

Mating Retention	With
Mating Retention Type	Mounting Holes

### Housing Features

Shell Material	Steel
Centerline (Pitch)	2.74 mm [.108 in]

### Usage Conditions

Operating Temperature Range	-55 – 105 °C [-67 – 221 °F]
-----------------------------	-----------------------------

### Operation/Application

Circuit Application	Signal
Shielded	Yes

### Industry Standards

UL Flammability Rating	UL 94V-0
------------------------	----------

### Packaging Features

Packaging Quantity	800
Packaging Method	Package

### Product Compliance

[For compliance documentation, visit the product page on TE.com>](#)

EU RoHS Directive 2011/65/EU	Compliant
EU ELV Directive 2000/53/EC	Compliant
China RoHS 2 Directive MIIT Order No 32, 2016	No Restricted Materials Above Threshold
EU REACH Regulation (EC) No. 1907/2006	Current ECHA Candidate List: JUNE 2024 (241) Candidate List Declared Against: JAN 2024 (240) Does not contain REACH SVHC
Halogen Content	Not Low Halogen - contains Br or Cl > 900 ppm.



Solder Process Capability

Not applicable for solder process capability

Product Compliance Disclaimer

This information is provided based on reasonable inquiry of our suppliers and represents our current actual knowledge based on the information they provided. This information is subject to change. The part numbers that TE has identified as EU RoHS compliant have a maximum concentration of 0.1% by weight in homogenous materials for lead, hexavalent chromium, mercury, PBB, PBDE, DBP, BBP, DEHP, DIBP, and 0.01% for cadmium, or qualify for an exemption to these limits as defined in the Annexes of Directive 2011/65/EU (RoHS2). Finished electrical and electronic equipment products will be CE marked as required by Directive 2011/65/EU. Components may not be CE marked. Additionally, the part numbers that TE has identified as EU ELV compliant have a maximum concentration of 0.1% by weight in homogenous materials for lead, hexavalent chromium, and mercury, and 0.01% for cadmium, or qualify for an exemption to these limits as defined in the Annexes of Directive 2000/53/EC (ELV). Regarding the REACH Regulation, the information TE provides on SVHC in articles for this part number is based on the latest European Chemicals Agency (ECHA) 'Guidance on requirements for substances in articles' posted at this URL: <https://echa.europa.eu/guidance-documents/guidance-on-reach>

### Compatible Parts



TE Part # CAT-035-DCPPS201  
D-Sub Crimp: Plug, Signal, 9 Posn, Pin Size 20, Shell Size 1



TE Part # CAT-035-DCRSS201  
D-Sub Crimp Recept Signal 9 Posn, Socket Size 20, Shell Size 1



TE Part # 2198617-9  
Ni Plated Plastic Backshell, 9 Way, Str



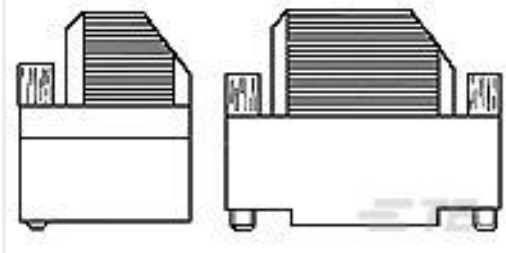
TE Part # 5207908-1  
STRAIN RELIEF W/SCREW RET KIT



TE Part # 5206478-1  
CLAMSHELL KIT W/RETAINER,SZ 1



TE Part # 5-745287-0  
20 DF PIN CONTACT DUPLEX/LP



TE Part # 1393738-2  
V42254A6000G115=SUB D GEHAEUSE



TE Part # 3-1393483-8  
V42254A1115B209=SUB D FEDERLEI

### Customers Also Bought



TE Part #1658641-3  
PLUG ASSY SIZE 5



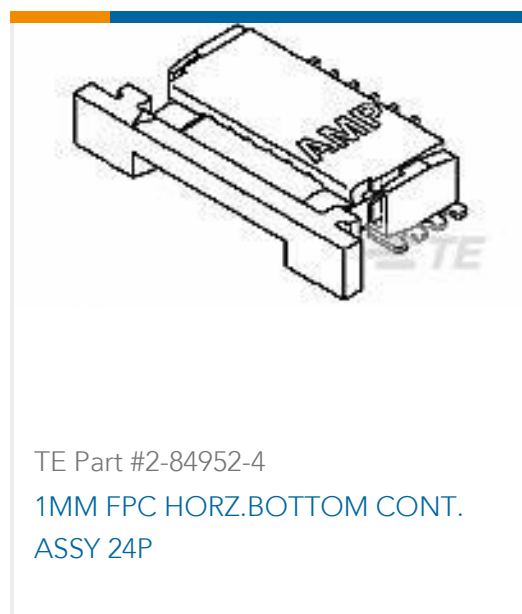
TE Part #205205-7  
CRIMP SNAP RCPT ASSY,SIZE 2



TE Part #5205207-1  
HD RCPT ASSY SIZE 3



TE Part #1658691-1  
HDP-22,PLUG,SIZE 1,15 POSN,CLI



## Documents

### Product Drawings

#### CRIMP SNAP PLUG ASSY,SIZE 1

English

### CAD Files

#### 3D PDF

3D

#### Customer View Model

[ENG\\_CVM\\_CVM\\_205204-9\\_T.2d\\_dxf.zip](#)

English

#### Customer View Model

[ENG\\_CVM\\_CVM\\_205204-9\\_T.3d\\_igs.zip](#)

English

#### Customer View Model

[ENG\\_CVM\\_CVM\\_205204-9\\_T.3d\\_stp.zip](#)

English

By downloading the CAD file I accept and agree to the [Terms and Conditions](#) of use.

### Datasheets & Catalog Pages

#### AMPLIMITE Subminiature D Connectors - Cable Connectors

English

#### AMPLIMITE Cable Connectors and Shielding Hardware Kits QRG

English

### Product Specifications

#### Application Specification

English



**Instruction Sheets**

[Instruction Sheet \(U.S.\)](#)

English

---

**Agency Approvals**

[CSA Certificate](#)

English