

62160-1 ✓ ACTIVE

TE Internal #: 62160-1

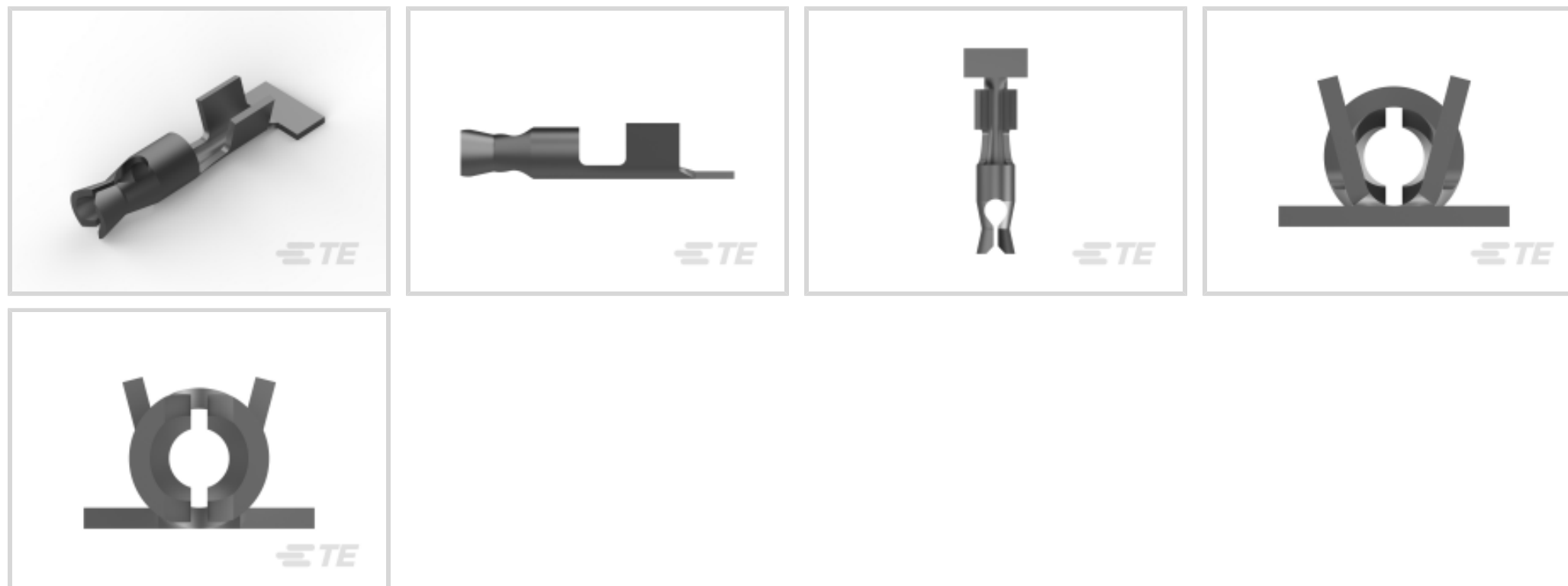
Crimp Wire Pins, Tabs & Ferrules, Receptacle, Mating Pin Diameter

1.01 mm [.04 in], 24 – 20 AWG Wire Size, .2 – .6 mm² Wire Size

[View on TE.com >](#)



Terminals & Splices > Crimp Wire Pins, Tabs & Ferrules



Crimp Wire Terminal Type: **Receptacle**

Mating Pin Diameter: **1.01 mm [.04 in]**

Wire Size: **404 – 1021 CMA**

Features

Product Type Features

| | |
|------------------------------------|----------|
| Compatible With Discrete Wire Type | Stranded |
|------------------------------------|----------|

Configuration Features

| | |
|-----------------------------------|---------------|
| Compatible With Wire & Cable Type | Discrete Wire |
|-----------------------------------|---------------|

Contact Features

| | |
|--------------------------|------------|
| Crimp Wire Terminal Type | Receptacle |
|--------------------------|------------|

| | |
|---------------------|------------------|
| Mating Pin Diameter | 1.01 mm [.04 in] |
|---------------------|------------------|

| | |
|-------------|------|
| Barrel Type | Open |
|-------------|------|

| | |
|---------------------------|-----|
| Terminal Plating Material | Tin |
|---------------------------|-----|

| | |
|----------------------|----------|
| Terminal Orientation | Straight |
|----------------------|----------|

Mechanical Attachment

| | |
|-------------------------|---------|
| Wire Insulation Support | Without |
|-------------------------|---------|

Dimensions

| | |
|-----------|----------------|
| Wire Size | 404 – 1021 CMA |
|-----------|----------------|

| | |
|------------------------|------------------|
| Barrel Inside Diameter | .88 mm [.035 in] |
|------------------------|------------------|

| | |
|-----------------------------|------------------|
| Terminal Material Thickness | .32 mm [.013 in] |
|-----------------------------|------------------|

| | |
|------------------------|------------------|
| Overall Product Length | 9.14 mm [.36 in] |
|------------------------|------------------|

Usage Conditions

| | |
|-------------------|-------------|
| Insulation Option | Uninsulated |
|-------------------|-------------|

Packaging Features

| | |
|--------------------|-------|
| Packaging Quantity | 16000 |
| Packaging Method | Strip |

Product Compliance

[For compliance documentation, visit the product page on TE.com>](#)

| | |
|---|--|
| EU RoHS Directive 2011/65/EU | Compliant |
| EU ELV Directive 2000/53/EC | Compliant |
| China RoHS 2 Directive MIIT Order No 32, 2016 | No Restricted Materials Above Threshold |
| EU REACH Regulation (EC) No. 1907/2006 | Current ECHA Candidate List: JUNE 2024 (241) Candidate List Declared Against: JAN 2024 (240) Does not contain REACH SVHC |
| Halogen Content | Low Halogen - Br, Cl, F, I < 900 ppm per homogenous material. Also BFR/CFR/PVC Free |
| Solder Process Capability | Not applicable for solder process capability |

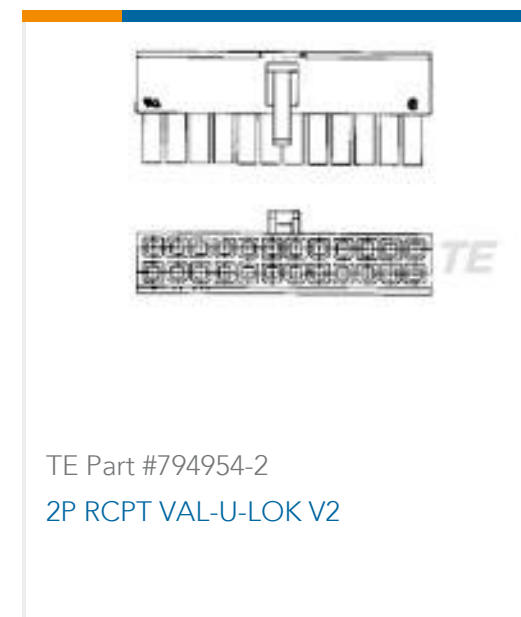
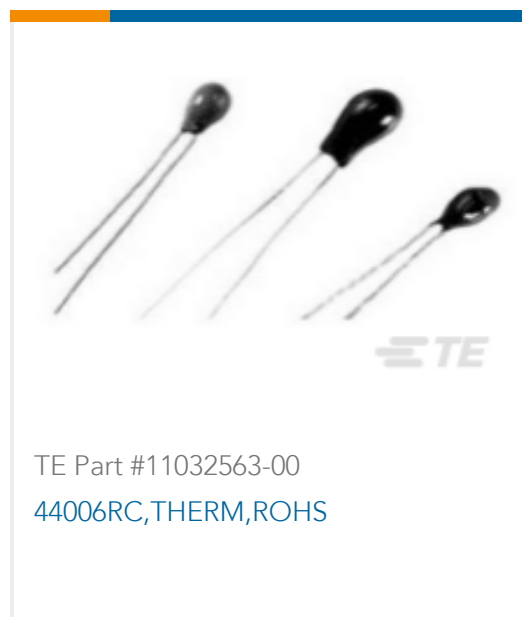
Product Compliance Disclaimer

This information is provided based on reasonable inquiry of our suppliers and represents our current actual knowledge based on the information they provided. This information is subject to change. The part numbers that TE has identified as EU RoHS compliant have a maximum concentration of 0.1% by weight in homogenous materials for lead, hexavalent chromium, mercury, PBB, PBDE, DBP, BBP, DEHP, DIBP, and 0.01% for cadmium, or qualify for an exemption to these limits as defined in the Annexes of Directive 2011/65/EU (RoHS2). Finished electrical and electronic equipment products will be CE marked as required by Directive 2011/65/EU. Components may not be CE marked. Additionally, the part numbers that TE has identified as EU ELV compliant have a maximum concentration of 0.1% by weight in homogenous materials for lead, hexavalent chromium, and mercury, and 0.01% for cadmium, or qualify for an exemption to these limits as defined in the Annexes of Directive 2000/53/EC (ELV). Regarding the REACH Regulation, the information TE provides on SVHC in articles for this part number is based on the latest European Chemicals Agency (ECHA) 'Guidance on requirements for substances in articles' posted at this URL: <https://echa.europa.eu/guidance-documents/guidance-on-reach>

Compatible Parts



Customers Also Bought





Documents

Product Drawings

[PIN .040 RECEPTACLE 24-20 AWG TPPHBZ](#)

English

CAD Files

Customer View Model

[ENG_CVM_CVM_62160-1_T.2d_dxf.zip](#)

English

[3D PDF](#)

3D

Customer View Model

[ENG_CVM_CVM_62160-1_T.3d_igs.zip](#)

English

Customer View Model

[ENG_CVM_CVM_62160-1_T.3d_stp.zip](#)

English

By downloading the CAD file I accept and agree to the [Terms and Conditions](#) of use.

Product Specifications

[Application Specification](#)

English