

# TAA752A5501-150 ✓ ACTIVE

TE Internal #: TAA752A5501-150

M12 Pigtail Cable Assembly, 5 Position, 15 m, Industrial Fieldbus,  
DeviceNet, Code A, M12 Plug, Shielded, Single Ended, PA66+25GF

[View on TE.com >](#)



Cable Assemblies > Copper Cable Assemblies > M8/M12 Cable Assemblies > Fieldbus, DeviceNet M12 A-Code 5p PUR



M8/M12 Application Type: **Industrial Fieldbus**

Industrial Protocols: **DeviceNet**

Number of Positions: **5**

Connector & Keying Code: **A**

Cable Assembly Type: **M12 Pigtail**

[All Fieldbus, DeviceNet M12 A-Code 5p PUR \(32\)](#)

## Features

### Product Type Features

|                        |             |
|------------------------|-------------|
| Cable Assembly Type    | M12 Pigtail |
| Cable Assembly (End A) | M12 Plug    |

### Configuration Features

|                     |   |
|---------------------|---|
| Number of Positions | 5 |
|---------------------|---|

### Electrical Characteristics

|                   |        |
|-------------------|--------|
| Operating Voltage | 60 VAC |
|-------------------|--------|

### Body Features

|                         |              |
|-------------------------|--------------|
| Cable Color             | Violet       |
| Connector Color (End A) | Black        |
| Jacket Material         | PUR          |
| Conductor Material      | Copper Alloy |
| Connector & Keying Code | A            |

### Contact Features

|  |  |
|--|--|
|  |  |
|--|--|



|                              |     |
|------------------------------|-----|
| Contact Current Rating (Max) | 4 A |
|------------------------------|-----|

### Mechanical Attachment

|                               |             |
|-------------------------------|-------------|
| Connector Orientation (End A) | Right Angle |
|-------------------------------|-------------|

### Housing Features

|                  |           |
|------------------|-----------|
| Housing Material | PA66+25GF |
|------------------|-----------|

### Dimensions

|                        |        |
|------------------------|--------|
| Outside Cable Diameter | 6.9 mm |
|------------------------|--------|

|           |             |
|-----------|-------------|
| Wire Size | 22 – 24 AWG |
|-----------|-------------|

### Operation/Application

|                         |                     |
|-------------------------|---------------------|
| M8/M12 Application Type | Industrial Fieldbus |
|-------------------------|---------------------|

|          |     |
|----------|-----|
| Shielded | Yes |
|----------|-----|

### Industry Standards

|           |      |
|-----------|------|
| IP Rating | IP67 |
|-----------|------|

|                      |           |
|----------------------|-----------|
| Industrial Protocols | DeviceNet |
|----------------------|-----------|

### Packaging Features

|                    |   |
|--------------------|---|
| Packaging Quantity | 1 |
|--------------------|---|

|                  |     |
|------------------|-----|
| Packaging Method | Bag |
|------------------|-----|

### Other

|                       |      |
|-----------------------|------|
| Cable Assembly Length | 15 m |
|-----------------------|------|

|                              |              |
|------------------------------|--------------|
| Cable Assembly Configuration | Single Ended |
|------------------------------|--------------|

### Product Compliance

[For compliance documentation, visit the product page on TE.com>](#)

|                              |                           |
|------------------------------|---------------------------|
| EU RoHS Directive 2011/65/EU | Compliant with Exemptions |
|------------------------------|---------------------------|

|                             |           |
|-----------------------------|-----------|
| EU ELV Directive 2000/53/EC | Compliant |
|-----------------------------|-----------|

|                                               |                                      |
|-----------------------------------------------|--------------------------------------|
| China RoHS 2 Directive MIIT Order No 32, 2016 | Restricted Materials Above Threshold |
|-----------------------------------------------|--------------------------------------|

|                                        |                                                                                                                                                                      |
|----------------------------------------|----------------------------------------------------------------------------------------------------------------------------------------------------------------------|
| EU REACH Regulation (EC) No. 1907/2006 | <p>Current ECHA Candidate List: JUNE 2024 (241)</p> <p>Candidate List Declared Against: JAN 2021 (211)</p> <p>SVHC &gt; Threshold:</p> <p>Pb (1.9% in Component)</p> |
|----------------------------------------|----------------------------------------------------------------------------------------------------------------------------------------------------------------------|

#### Article Safe Usage Statements:

Do not eat, drink or smoke when using this product. Wash thoroughly after handling. Recycle if possible and dispose of the article by following all applicable governmental regulations relevant to your geographic location.

|                           |                                                                                     |
|---------------------------|-------------------------------------------------------------------------------------|
| Halogen Content           | Low Halogen - Br, Cl, F, I < 900 ppm per homogenous material. Also BFR/CFR/PVC Free |
| Solder Process Capability | Not reviewed for solder process capability                                          |

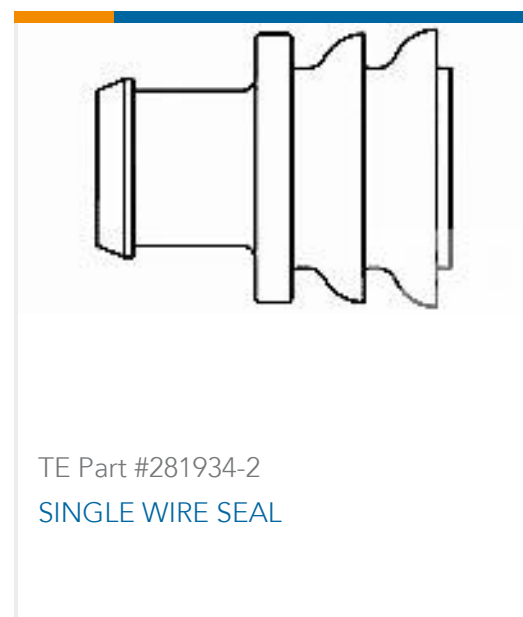
Product Compliance Disclaimer

This information is provided based on reasonable inquiry of our suppliers and represents our current actual knowledge based on the information they provided. This information is subject to change. The part numbers that TE has identified as EU RoHS compliant have a maximum concentration of 0.1% by weight in homogenous materials for lead, hexavalent chromium, mercury, PBB, PBDE, DBP, BBP, DEHP, DIBP, and 0.01% for cadmium, or qualify for an exemption to these limits as defined in the Annexes of Directive 2011/65/EU (RoHS2). Finished electrical and electronic equipment products will be CE marked as required by Directive 2011/65/EU. Components may not be CE marked. Additionally, the part numbers that TE has identified as EU ELV compliant have a maximum concentration of 0.1% by weight in homogenous materials for lead, hexavalent chromium, and mercury, and 0.01% for cadmium, or qualify for an exemption to these limits as defined in the Annexes of Directive 2000/53/EC (ELV). Regarding the REACH Regulation, the information TE provides on SVHC in articles for this part number is based on the latest European Chemicals Agency (ECHA) 'Guidance on requirements for substances in articles' posted at this URL: <https://echa.europa.eu/guidance-documents/guidance-on-reach>

## Compatible Parts



## Customers Also Bought





## Documents

### Product Drawings

[M12A5-MR-PUR-15.0M](#)

English

---

### CAD Files

[3D PDF](#)

3D

Customer View Model

[ENG\\_CVM\\_CVM\\_TAA752A5501-150\\_A.2d\\_dxf.zip](#)

English

Customer View Model

[ENG\\_CVM\\_CVM\\_TAA752A5501-150\\_A.3d\\_igs.zip](#)

English

Customer View Model

[ENG\\_CVM\\_CVM\\_TAA752A5501-150\\_A.3d\\_stp.zip](#)

English

By downloading the CAD file I accept and agree to the [Terms and Conditions](#) of use.

---

### Datasheets & Catalog Pages

[M8 / M12 Connector System Catalog](#)

English

[M8/M12 Cable Assemblies Brochure](#)

English

---

### Product Specifications

[Application Specification](#)

English