

PLED Unidirectional Series (PLEDxUx)



Description

PLED Unidirectional Series (PLEDxUx Series) open LED protectors provide a switching electronic shunt path around a single LED that fails as an open circuit. This ensures the remaining string of LEDs will continue to function even though a single LED in the string has failed open. It also provides reverse battery or reverse power polarity protection.

PLED Unidirectional Series devices were designed to enable higher reliability in outdoor LED lighting applications such as street lighting, outdoor signage, aircraft runway lighting, roadside warning lights and other applications.

Compatible with one, two and three watt LEDs that have a nominal 3V forward characteristic, PLED Unidirectional Series devices are available in two surface mount packages, the DO-214AA and the Quad Flat Pak No-lead (QFN). The QFN's low profile, chip scale package (CSP) is ideal for dense board applications.

Agency Approvals

| Agency | Agency File Number |
|--------|--------------------|
| | E133083 |

Schematic Symbol



Features

- Fast switching
- Reverse Battery/Power Protection
- Automatically resets after power cycle
- Available in low profile, small footprint QFN and Standard DO214AA packages
- Compatible with industrial lighting environments
- IEC-61000-4-2 ESD 30kV (Air), 30kV (Contact)
- ESD protection of data lines in accordance with IEC 61000-4-2 (IEC801-2)
- Compatible with PWM frequencies up to 10 kHz
- RoHS compliant and halogen-free
- Recognized to UL 497B as an Isolated Loop Circuit Protector

Electrical Characteristics (All parameters are measured at $T_A=25^\circ\text{C}$ unless otherwise noted)

| Part Number | Marking | V_{BR} Breakdown | | V_{DRM} Breakdown | I_H | I_S | $I_T@V_T$ | V_T | $I_F@V_F$ | V_F | I_o^1 | Critical rate of rise dV/dt |
|-------------|---------|--------------------|-----|---------------------|-------|-------|-----------|-------|-----------|-------|---------|-----------------------------|
| | | Volts | | Volts | mAmps | mAmps | Amps | Volts | Amps | Volts | Amps | Volts |
| | | Min | Max | Min | Max | Max | Max | Max | Max | Max | Min | Max |
| PLED6UQ12 | PL6U | 6 | 16 | 6 | 30 | 50 | 1.0 | 1.2 | 1.0 | 1.0 | 1.0 | 250V/ μs |
| PLED6US | PL6U | 6 | 16 | 6 | 30 | 50 | 1.0 | 1.2 | 1.0 | 1.0 | | |
| PLED9UQ12 | PL9U | 9 | 18 | 9 | 30 | 50 | 1.0 | 1.2 | 1.0 | 1.0 | | |
| PLED9US | PL9U | 9 | 18 | 9 | 30 | 50 | 1.0 | 1.2 | 1.0 | 1.0 | | |
| PLED13UQ12 | PL13U | 13 | 26 | 13 | 30 | 50 | 1.0 | 1.2 | 1.0 | 1.0 | | |
| PLED13US | PL13U | 13 | 26 | 13 | 30 | 50 | 1.0 | 1.2 | 1.0 | 1.0 | | |
| PLED18UQ12 | PL18U | 18 | 33 | 18 | 30 | 50 | 1.0 | 1.2 | 1.0 | 1.0 | | |
| PLED18US | PL18U | 18 | 33 | 18 | 30 | 50 | 1.0 | 1.2 | 1.0 | 1.0 | | |
| PLED35US | PL35U | 35 | 50 | 35 | 30 | 50 | 1.0 | 1.2 | 1.0 | 1.0 | | |

Note:

1. I_o - Operation current tested @ aluminum boards, ambient temp 85°C

Thermal Considerations

| Package | Symbol | Parameter | Value | Unit |
|---|-----------------|---|---|-----------------------------|
|   | T_J | Operating Junction Temperature Range | -40 to +150 | $^{\circ}\text{C}$ |
| | T_S | Storage Temperature Range | -65 to +150 | $^{\circ}\text{C}$ |
| | $R_{\theta JA}$ | Thermal Resistance: Junction to Ambient | DO-214AA: 90 ¹ DO-214AA: 40 ² QFN: 120 ¹ QFN: 60 ³ | $^{\circ}\text{C}/\text{W}$ |

Notes:

1) Standard FR-4 PCB with Copper Pads (Recommended Size)

2) Aluminum PCB

Thickness: 1.6mm

Grade: 1-2 W/mK Thermal Conductivity

Trace thickness: 2 oz

Insulation layer thickness: 215 μm

Solder Pad Dimensions: 2.0mm x 2.8mm (Recommended Size)

3) Aluminum PCB

Thickness: 1.6mm

Grade: 1-2 W/mK Thermal Conductivity

Trace thickness: 2 oz

Insulation layer thickness: 60 μm

Solder Pad Dimensions: 1.27mm x 2.54mm (Recommended Size)

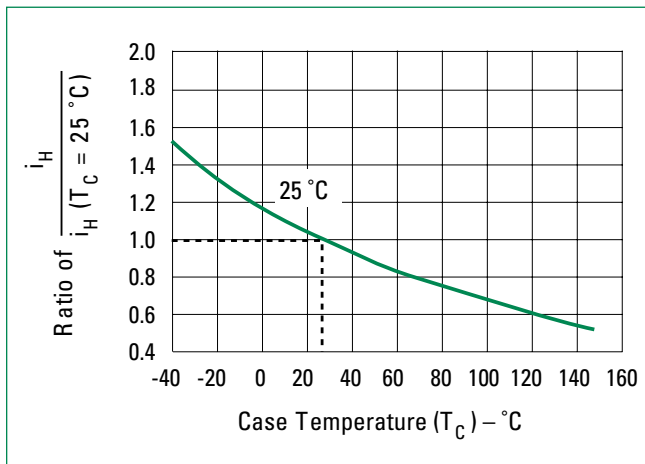
V-I Characteristics



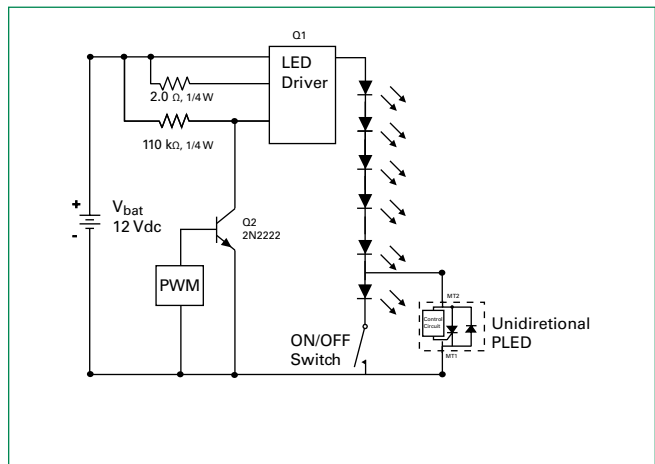
V_{BR} vs. Junction Temperature



Normalized DC Holding Current vs. Case Temperature



LED Interference Test Circuit



6 LEDs in Series 50% Duty Cycle 10kHz



5 LEDs and 1 PLED in Series 50% Duty Cycle 10kHz



Note: These two graphs show the current magnitude through the LED string with and without the PLED included. There is no noticeable effect on the LED current magnitude when the PLED is included in the circuit as compared to the LED current magnitude when the PLED is not in the circuit. (The conversion factor for the test measurement in the graphs above is 10mA/mV for the Pearson coil measurement, therefore, the current magnitude in the first figure is 10mA*8.9 = 89mA, while the second figure is 91mA.)

PLED in the Off-State 10kHz



Channel 1: current through LEDs (318 mA)
Channel 2: voltage across PLED device (4.5 V)

PLED device zeners and then turns fully on 10kHz



Channel 1: current through LEDs (346 mA) and PLED device once it is fully turned on 2.5µsec later
Channel 2: voltage across PLED device (21.3 V before PLED crowbars with 2 V drop)

Soldering Parameters

| | | |
|--|------------------------------------|------------------------|
| Reflow Condition | | Pb – Free assembly |
| Pre Heat | - Temperature Min ($T_{s(min)}$) | 150°C |
| | - Temperature Max ($T_{s(max)}$) | 200°C |
| | - Time (min to max) (t_s) | 60 – 180 secs |
| Average ramp up rate (Liquidus Temp (T_L) to peak) | | 3°C/second max |
| $T_{s(max)}$ to T_L - Ramp-up Rate | | 3°C/second max |
| Reflow | - Temperature (T_L) (Liquidus) | 217°C |
| | - Temperature (t_L) | 60 – 150 seconds |
| Peak Temperature (T_p) | | 260 ^{+0/5} °C |
| Time within 5°C of actual peak temperature (t_p) | | 30 seconds |
| Ramp-down Rate | | 6°C/second max |
| Time 25°C to peak Temperature (T_p) | | 8 minutes max |
| Do not exceed | | 260°C |



Physical Specifications

| | |
|--------------------------|--|
| Terminal Material | Copper Alloy |
| Terminal Finish | 100% Matte Tin Plated |
| Body Material | UL recognized compound meeting flammability classification V-0 |

Environmental Specifications

| | |
|--|---|
| High Temperature Voltage Blocking | MIL-STD-750: Method 1040, Condition A 80% min V_{DRM} (VAC-peak), 150°C, 504 hours |
| Temperature Cycling | MIL-STD-750: Method 1051 -65°C to 150°C, 15-minute dwell, 100 cycles |
| Biased Temperature & Humidity | EIA/JEDEC: JESD22-A101 52VDC, 85°C, 85%RH, 1008 hours |
| High Temperature Storage | MIL-STD-750: Method 1031 150°C, 1008 hours |
| Low Temperature Storage | -65°C, 1008 hours |
| Thermal Shock | MIL-STD-750: Method 1056 0°C to 100°C, 5-minute dwell, 10-second transfer, 10 cycles |
| Resistance to Solder Heat | MIL-STD-750: Method 2031 260°C, 10 seconds |
| Moisture Sensitivity Level | 85%RH, +85°C, 168 hrs, 3 Reflow Cycles (+260°C Peak). JEDEC-JSTD-020, Level 1 |

Part Numbering System



Part Marking System

DO-214AA



QFN



Packaging

| Package | Description | Packaging Quantity | Industry Standard |
|---------|-------------|--------------------|-------------------|
| Q12 | QFN 3x3 | 5000 | EIA-481-1 |
| S | DO-214AA | 2500 | EIA-481-1 |

Dimensions - QFN (3x3) Package



Recommended solder pad layout
(Reference Only)

| Dimensions | Inches | | | Millimeters | | |
|------------|--------|-------|-------|-------------|-------|-------|
| | Min | Typ | Max | Min | Typ | Max |
| A | 0.114 | 0.118 | 0.122 | 2.900 | 3.000 | 3.100 |
| B | 0.114 | 0.118 | 0.122 | 2.900 | 3.000 | 3.100 |
| C | 0.075 | 0.079 | 0.083 | 1.900 | 2.000 | 2.100 |
| E | 0.011 | 0.015 | 0.019 | 0.285 | 0.385 | 0.485 |
| F | 0.076 | 0.080 | 0.084 | 1.930 | 2.030 | 2.130 |
| H | 0.035 | 0.039 | 0.043 | 0.900 | 1.000 | 1.100 |
| J | 0.000 | 0.004 | 0.008 | 0.000 | 0.100 | 0.200 |
| K1 | 0.004 | 0.008 | 0.012 | 0.100 | 0.200 | 0.300 |
| K2 | 0.004 | 0.008 | 0.012 | 0.100 | 0.200 | 0.300 |
| M1 | 0.056 | 0.060 | 0.064 | 1.143 | 1.530 | 1.630 |
| M2 | 0.038 | 0.042 | 0.046 | 0.970 | 1.070 | 1.170 |
| N1 | 0.096 | 0.100 | 0.104 | 2.440 | 2.540 | 2.640 |
| N2 | 0.082 | 0.086 | 0.090 | 2.080 | 2.180 | 2.280 |

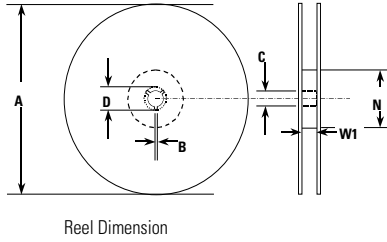
Dimensions - DO-214 AA Package



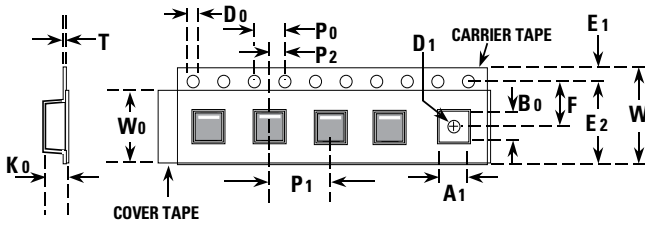
Recommended solder pad layout
(Reference Only)

| Dimensions | Inches | | Millimeters | |
|------------|--------|-------|-------------|------|
| | Min | Max | Min | Max |
| A | 0.130 | 0.156 | 3.30 | 3.95 |
| B | 0.201 | 0.220 | 5.10 | 5.60 |
| C | 0.077 | 0.087 | 1.95 | 2.20 |
| D | 0.159 | 0.181 | 4.05 | 4.60 |
| E | 0.030 | 0.063 | 0.75 | 1.60 |
| F | 0.075 | 0.096 | 1.90 | 2.45 |
| G | 0.002 | 0.008 | 0.05 | 0.20 |
| H | 0.077 | 0.104 | 1.95 | 2.65 |
| K | 0.006 | 0.016 | 0.15 | 0.41 |

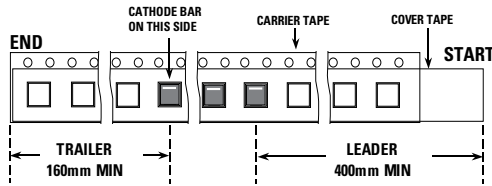
Tape and Reel Specification - QFN (3x3)



Reel Dimension



Tape Dimension Items

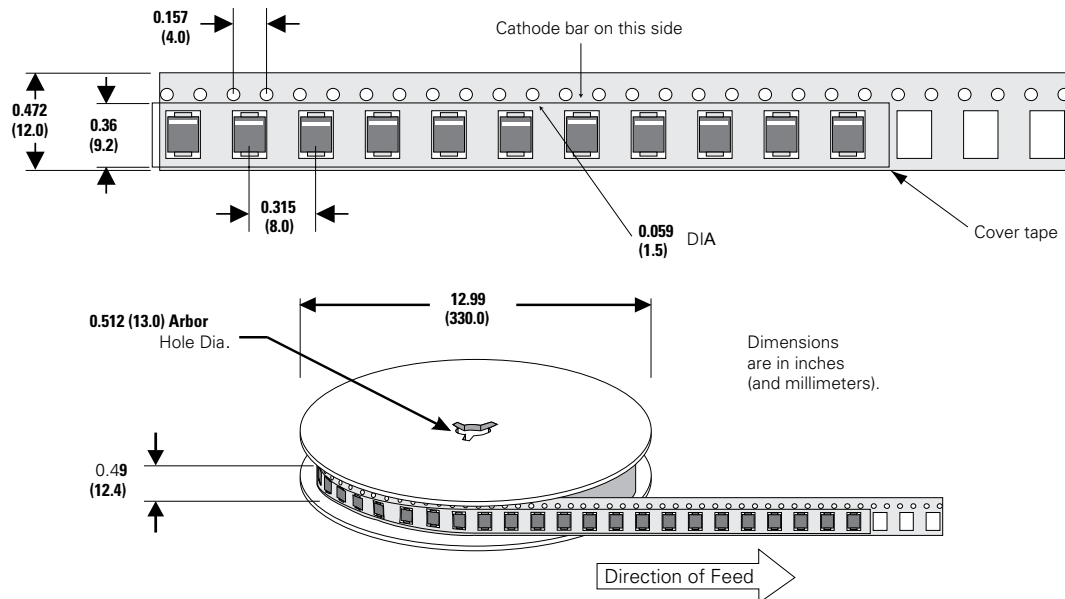


Leader and Trailer Dimension of the Ttape

| Symbols | Description | Inches | | Millimeters | |
|---------|------------------------------|--------|--------|-------------|-------|
| | | Min | Max | Min | Max |
| A | Reel Diameter | N/A | 12.992 | N/A | 330.0 |
| B | Drive Spoke Width | 0.059 | N/A | 1.50 | N/A |
| C | Arbor Hole Diameter | 0.504 | 0.531 | 12.80 | 13.50 |
| D | Drive Spoke Diameter | 0.795 | N/A | 20.20 | N/A |
| N | Hub Diameter | 1.969 | N/A | 50.00 | N/A |
| W1 | Reel Inner Width at Hub | 0.488 | 0.567 | 12.40 | 14.40 |
| A0 | Pocket Width at bottom | 0.126 | 0.134 | 3.20 | 3.40 |
| B0 | Pocket Length at bottom | 0.126 | 0.134 | 3.20 | 3.40 |
| D0 | Feed Hole Diameter | 0.059 | 0.063 | 1.50 | 1.60 |
| D1 | Pocket Hole Diameter | 0.059 | N/A | 1.50 | N/A |
| E1 | Feed hole Position 1 | 0.065 | 0.073 | 1.65 | 1.85 |
| E2 | Feed hole Position 2 | 0.400 | 0.408 | 10.15 | 10.35 |
| F | Feed hole center-Pocket hole | 0.215 | 0.219 | 5.45 | 5.55 |
| K0 | Pocket Depth | 0.039 | 0.051 | 1.00 | 1.30 |
| P0 | Feed hole Pitch | 0.153 | 0.161 | 3.90 | 4.10 |
| P1 | Component Spacing | 0.311 | 0.319 | 7.90 | 8.10 |
| P2 | Feed hole center-Pocket hole | 0.077 | 0.081 | 1.90 | 2.06 |
| T | Carrier Tape Thickness | 0.010 | 0.014 | 0.25 | 0.35 |
| W | Embossed Carrier Tape Width | 0.453 | 0.484 | 11.50 | 12.30 |
| W0 | Cover Tape Width | 0.358 | 0.366 | 9.10 | 9.30 |

DO-214AA Embossed Carrier Reel Pack (RP)

Meets all EIA-481-1 Standards



Disclaimer Notice - Information furnished is believed to be accurate and reliable. However, users should independently evaluate the suitability of and test each product selected for their own applications. Littelfuse products are not designed for, and may not be used in, all applications. Read complete Disclaimer Notice at: www.littelfuse.com/disclaimer-electronics.