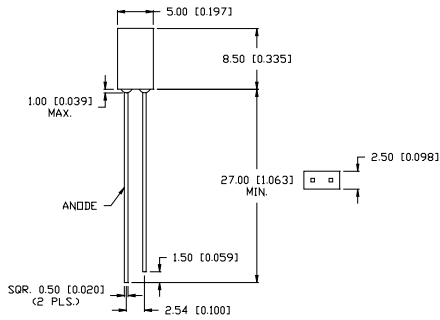


Discrete LEDs ~ Rectangular & Square



SSL-LX25593 Series

2.5x5mm Flangeless



FEATURES / OPTIONS

- ▶ State-of-the-Art, High Brightness Chip Technology
- ▶ Choice of Colors and Lens Finishes
- ▶ Lead Frame / Lens Casting Reliability
- ▶ Easy-to-Solder Leads, Tin Finish
- ▶ Available Bulk or on Tape and Reel
- ▶ Lead Trimming and Forming Available
- ▶ Custom Shapes, Easily Tooled, Low Minimum
- ▶ Blinking LED
- ▶ With Internal Resistor for 5V and 12V Operation

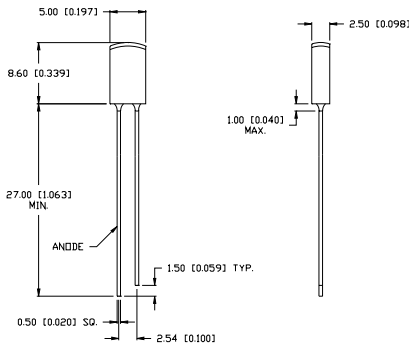
APPLICATIONS / USES

- ▶ Board or Panel Indication or Illumination
- ▶ Backlighting of Overlays and Graphics
- ▶ Annunciator and Control Panels
- ▶ Keyboards and Switches
- ▶ Telecom Switches and Central Station Equipment
- ▶ Signs, Warning Lights, Displays

Lumex Part Number	Die Material	Emitted Color	Peak (nm)	Lens	Operating Current (mA)	Operating TYP. Vf (V)	Brightness TYP. Mcd	@ mA	View Angle° 2θ
HIGH BRIGHTNESS									
SSL-LX25593SID	AlInGaP	Super High Intensity Red	636	Red Diffused	5-25	2	80	20	110
SSL-LX25593SOD	AlInGaP	Super Orange	610	Orange Diffused	5-25	2	60	20	110
SSL-LX25593SUGD	AlInGaP	Super Ultra Green	574	Green Diffused	5-25	2.2	40	20	110
SSL-LX25593SYD	AlInGaP	Super Yellow	590	Yellow Diffused	5-25	2	30	20	110
SSL-LX25593USBD	InGaN/SiC	Ultra Super Blue	470	Blue Diffused	5-25	3.5	40	20	110
STANDARD BRIGHTNESS									
SSL-LX25593GD	GaP	Green	565	Green Diffused	5-25	2.2	4	20	110
SSL-LX25593ID	GaAsP	High Intensity Red	635	Red Diffused	5-25	2.0	4	20	110
SSL-LX25593SRD	GaAlAs	Super Red	660	Red Diffused	5-25	1.8	60	20	110
SSL-LX25593YD	GaAsP	Yellow	585	Yellow Diffused	5-25	2.1	5	20	110

SSL-LX2559D3 Series

2.5x5mm Arched



FEATURES / OPTIONS

- ▶ State-of-the-Art, High Brightness Chip Technology
- ▶ Choice of Colors and Lens Finishes
- ▶ Lead Frame / Lens Casting Reliability
- ▶ Easy-to-Solder Leads, Tin Finish
- ▶ Available Bulk or on Tape and Reel
- ▶ Lead Trimming and Forming Available
- ▶ Custom Shapes, Easily Tooled, Low Minimum
- ▶ Blinking LED
- ▶ With Internal Resistor for 5V and 12V Operation

APPLICATIONS / USES

- ▶ Board or Panel Indication or Illumination
- ▶ Backlighting of Overlays and Graphics
- ▶ Annunciator and Control Panels
- ▶ Keyboards and Switches
- ▶ Telecom Switches and Central Station Equipment
- ▶ Signs, Warning Lights, Displays

Lumex Part Number	Die Material	Emitted Color	Peak (nm)	Lens	Operating Current (mA)	Operating TYP. Vf (V)	Brightness TYP. Mcd	@ mA	View Angle° 2θ
HIGH BRIGHTNESS									
SSL-LX2559D3SID	AlInGaP	Super High Intensity Red	636	Red Diffused	5-25	2	80	20	100
SSL-LX2559D3SOD	AlInGaP	Super Orange	610	Orange Diffused	5-25	2	80	20	110
SSL-LX2559D3SUGD	AlInGaP	Super Ultra Green	574	Green Diffused	5-25	2.2	20	20	110
SSL-LX2559D3SYD	AlInGaP	Super Yellow	590	Yellow Diffused	5-25	2	60	20	110
SSL-LX2559D3USBD	InGaN/SiC	Ultra Super Blue	470	Blue Diffused	5-25	3.5	50	20	110
STANDARD BRIGHTNESS									
SSL-LX2559D3GD	GaP	Green	565	Green Diffused	5-25	2.2	10	20	110
SSL-LX2559D3HD	GaP	High Efficiency Red	695	Red Diffused	5-25	2	4	20	110
SSL-LX2559D3ID	GaAsP	High Intensity Red	635	Red Diffused	5-25	2	15	20	110
SSL-LX2559D3SRD	GaAlAs	Super Red	660	Red Diffused	5-25	1.7	60	20	110
SSL-LX2559D3YD	GaAsP	Yellow	585	Yellow Diffused	5-25	2.1	10	20	110



USA/Canada 1-800-278-5666
Asia +886-3-5821124



www.lumex.com



USA/Canada 1-847-359-8904
Asia +886-3-5821154