

RECTIFYING DIODE1SR155 SERIES

●FEATURES

- 1) This product is mini mold shaped for high density surface-mounting and is supplied in taping for automatic mounting.
- 2) Excellent humidity resistance due to the special protective coating covering the elements.
- 3) Both reflow and dip soldering are available.
- 4) Surface-mount type of 1SR35 and 1SR139 series.

●APPLICATION

Normal rectification

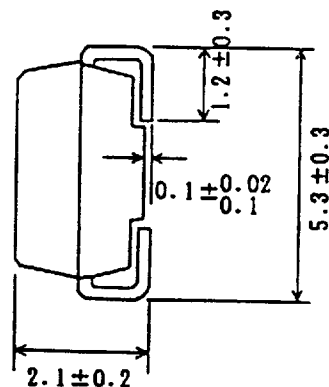
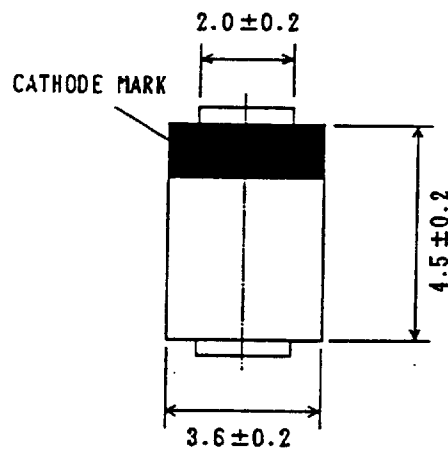
●ABSOLUTE MAXIMUM RATINGS (Ta=25°C)

Type	Peak reverse voltage VRSM (V)	Reverse DC voltage VRM (V)	Average rectified current Io (A)	Peak forward current IFSM (A)	Junction temperature Tj (°C)	Storage temperature Tstg (°C)
1SR155-100	150	100	1.0	30	-55~+150	-55~+150
1SR155-200	250	200	1.0	30	-55~+150	-55~+150
1SR155-400	500	400	1.0	30	-55~+150	-55~+150

●ELECTRICAL CHARACTERISTICS (Ta=25°C)

Type	Forward voltage		Reverse current	
	VF (V)	Cond.	IR (μA)	Cond.
	max.	IF (A)	max.	VR (V)
1SR155-100	1.1	1.0	10	100
1SR155-200	1.1	1.0	10	200
1SR155-400	1.1	1.0	10	400

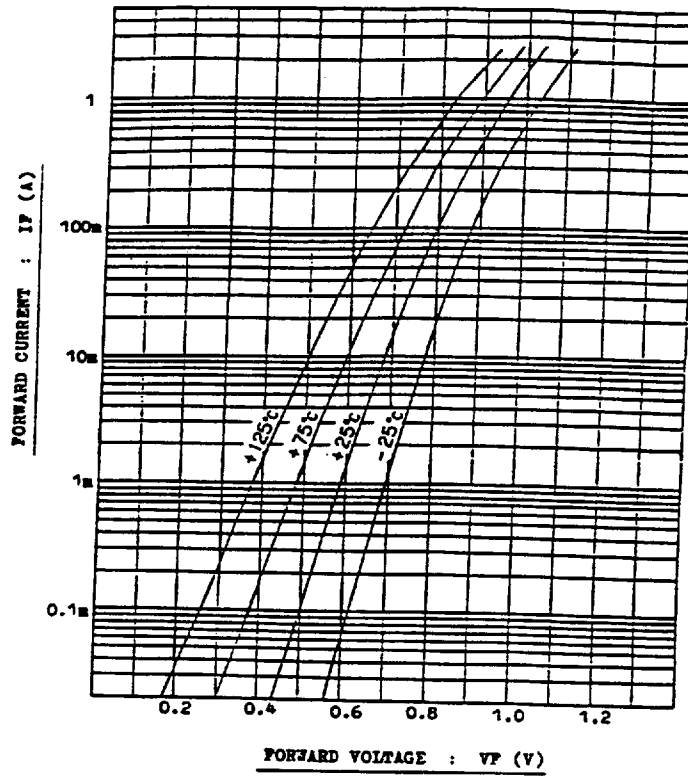
●DIMENSIONS (UNIT:mm)



LSM Package

VF-IF

1SR155 Series



VR-IR

