

# Customer Information Sheet

DRAWING No.: M80-4T2XXF3

SHEET 2 OF 2

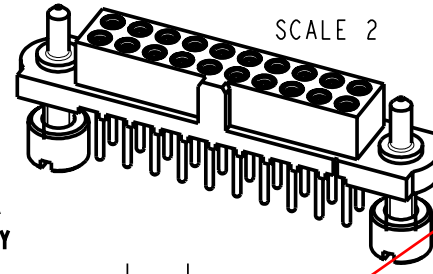
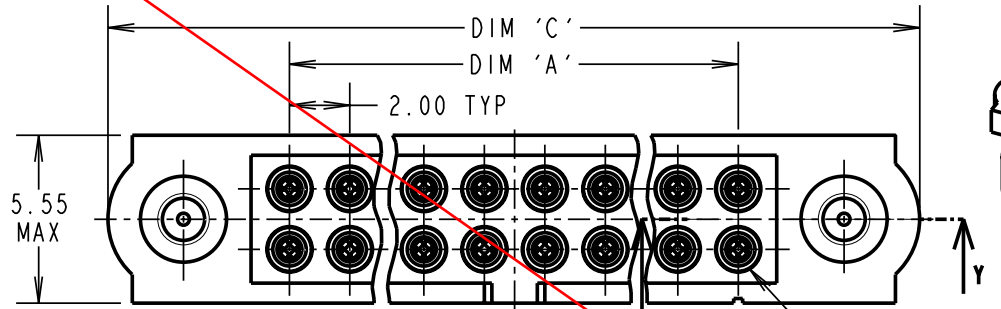
IF IN DOUBT - ASK

(C)

NOT TO SCALE

THIRD ANGLE PROJECTION

ALL DIMENSIONS IN mm



**SPECIFICATIONS:**

**MATERIAL:**

MOULDING = GLASS-FILLED PPS, UL94V-0, BLACK  
 CONTACT CLIP = BERYLLIUM COPPER  
 CONTACT SHELL = BRASS  
 GUIDE, NUT = STAINLESS STEEL

**FINISH:**

0.3µ GOLD CLIP, 3.5-5.0µ TIN/LEAD SHELL

**ELECTRICAL:**

CURRENT RATING AT 25°C = 3.0A MAX  
 CURRENT RATING AT 85°C = 2.2A MAX  
 WORKING VOLTAGE = 120V AC/DC  
 VOLTAGE PROOF = 360V AC/DC  
 CONTACT RESISTANCE = 25 mΩ MAX  
 INSULATION RESISTANCE = 100 MΩ MIN

**MECHANICAL:**

DURABILITY = 500 OPERATIONS  
 INSERTION FORCE (∅0.5mm GAUGE) = 2.8N MAX  
 WITHDRAWAL FORCE (∅0.5mm GAUGE) = 0.2N MIN

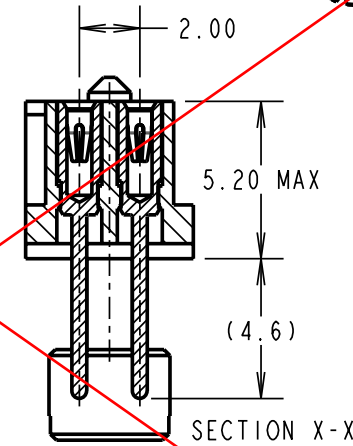
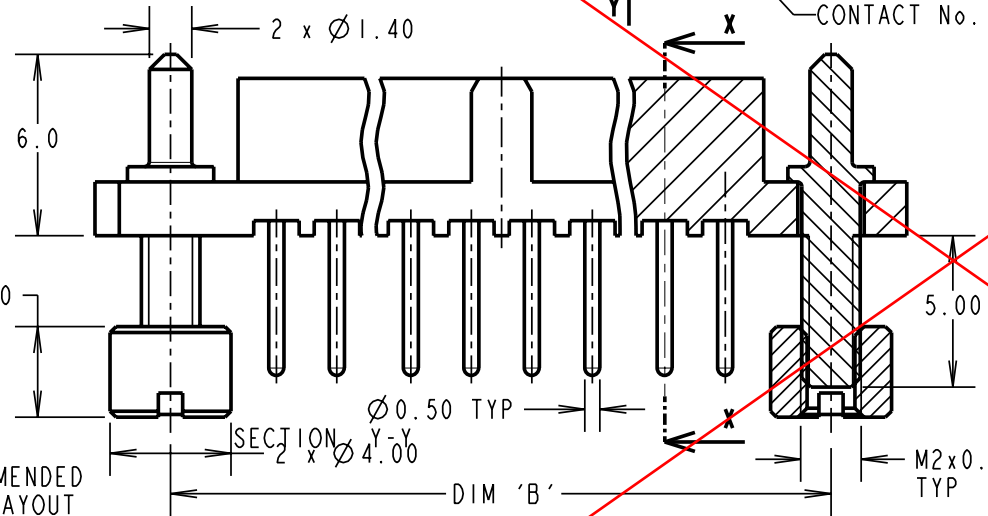
**ENVIRONMENTAL:**

TEMPERATURE RANGE = -55°C TO +125°C

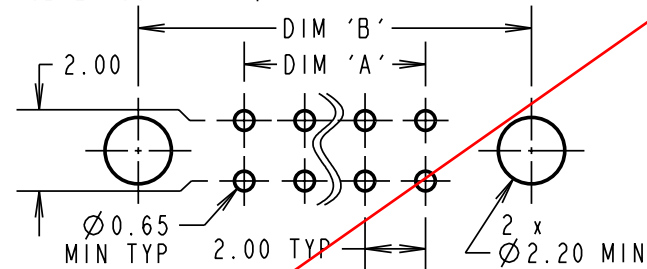
**PACKING:**

TUBE

FOR COMPLETE SPECIFICATION, SEE  
 COMPONENT SPECIFICATION C005XX  
 (LATEST ISSUE)



**RECOMMENDED PCB LAYOUT**



ORDER CODE:  
**M80-4T2XXF3**

TOTAL No. OF CONTACTS  
 06, 10, 14, 18, 20,  
 26, 34, 42, 50

PART No.	No. OF CONTACTS	DIM 'A'	DIM 'B'	DIM 'C'
M80-4T206F3	6	4.00	11.00	16.00
M80-4T210F3	10	8.00	15.00	20.00
M80-4T214F3	14	12.00	19.00	24.00
M80-4T218F3	18	16.00	23.00	28.00
M80-4T220F3	20	18.00	25.00	30.00
M80-4T226F3	26	24.00	31.00	36.00
M80-4T234F3	34	32.00	39.00	44.00
M80-4T242F3	42	40.00	47.00	52.00
M80-4T250F3	50	48.00	55.00	60.00

RA	C	20.04.07	9738
NAME	ISS.	DATE	C/NOTE
APPROVED: R. ADDE			
CHECKED: M.G. PLESTED			
DRAWN: B. M. KENT			
CUSTOMER REF.:			
ASSEMBLY DRG:			

**OBSOLETE**



HARWIN USA  
 TEL: 603 893 5376  
 FAX: 603 893 5396  
 mis@harwin.com

HARWIN Europe (UK)  
 TEL: 023 9231 4545  
 FAX: 023 9231 4590  
 mis@harwin.co.uk

HARWIN Asia  
 TEL: +65 6 779 4909  
 FAX: +65 6 779 3868  
 mis@harwin.com.sg

THIS DRAWING AND ANY INFORMATION OR DESCRIPTIVE MATTER SET OUT HEREON ARE CONFIDENTIAL AND COPYRIGHT PROPERTY OF THE HARWIN GROUP AND MUST NOT BE DISCLOSED, LOANED, COPIED OR USED FOR MANUFACTURING, TENDERING OR FOR ANY OTHER PURPOSE WITHOUT THEIR WRITTEN PERMISSION.

**TOLERANCES**  
 X. = ±1mm  
 X.X = ±0.25mm  
 X.XX = ±0.10mm  
 X.XXX = ±0.01mm  
 ANGLES = ±5°  
 UNLESS STATED

**MATERIAL:**  
 SEE ABOVE

**FINISH:**  
 SEE ABOVE

**S/AREA:**  
 mm<sup>2</sup>

**TITLE:** JACKSCREW DATAMATE  
 DIL VERT PC TAIL (4.5mm) FEMALE  
 ASSY WITH GUIDE + BOARD MOUNT

**DRAWING NUMBER:**  
**M80-4T2XXF3**

SHT 2 OF 2