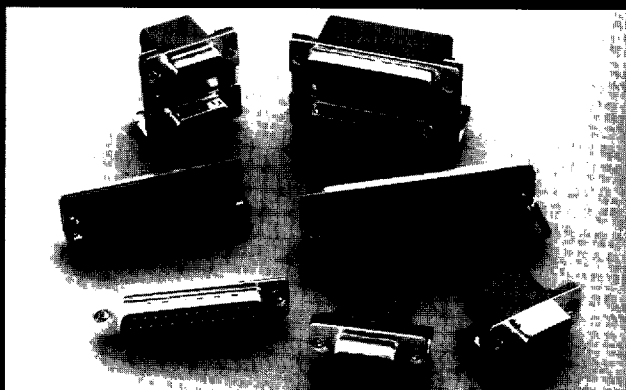



KYCON D-Subminiature Connectors



Features

- CSA Certified File No. LR78160 
- UL Recognized File No. E140125 
- Meets EIA, RS232C and RS449 Standards for Data Communication Input/Output Connectors
- Bright Tin Shells for Exceptional Conductivity and Grounding
- Indentations (Dimples) for Exceptional Grounding and Mating Retention
- D Shape Connector Mating and Polarization

Performance Specifications

Materials and Finish

Shell

Steel Material, Tin Finish, and Indentations (Dimples) on Plug Only

Insert

PBT Thermoplastic, Black Color, 30% Glass Filled, 94V-0 Rated

Contact Material

Pin: Brass .040 (1.02) Diameter
Socket: Phosphor Bronze

Contact Finish

Gold Flash Over 0.0001 (0.00254) Nickel on Entire Contact Area with Additional 0.000008 (0.000203) Gold on Mating End of Pin for a Length of .196 (5.0) Min. and .118 (3.0) Min. on the Socket for a Total of 0.00001 (0.000254) Min. of Gold on Mating Area

Riveted Insert

Brass Material, Nickel Finish

Mechanical Characteristics

Contact Retention

Precision Machined Contact 10 Lbs
Precision Formed Contact 10 Lbs

Contact Separation Force

4 Oz. Min

Contact Engagement Force

9 Oz. Max

Durability

500 Insertion Cycles Min
1,000 Insertion Cycles Min with Nominal Machined Contact Pins

Electrical Characteristics

Contact Current Rating

Precision Machined Contact 7.6 Amps
Precision Formed Contact 5.0 Amps

Contact Resistance

Precision Machined Contact 5 Milliohms Max
Precision Formed Contact 8 Milliohms Max

Dielectric Withstanding Voltage

1000 V AC Min

Insulation Resistance

5000 Megohms Min

Temperature Rating

-55° To + 125°C

Plating Options

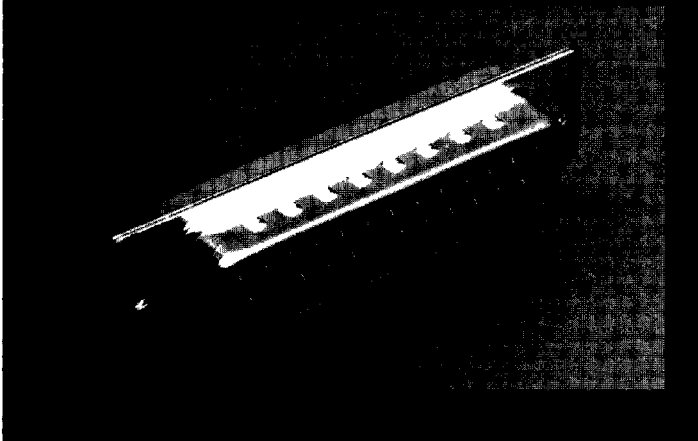
Designator	Plating Description
Standard	Gold Flash Over 0.0001 (0.00254) Nickel on the Entire Contact Area
15	0.0001 (0.00254) Nickel on the Entire Contact area with 0.000015 (0.000381) Gold on Mating End of Pin for a Length of .196 (5.0) Min and .118 (3.0) Min on the Socket 0.00015 (0.00381) of Bright Tin-Lead is Plated on the Termination End of the Contact
30	0.0001 (0.00254) Nickel on the Entire Contact area with 0.000030 (0.00076) Gold on Mating End of Pin for a Length of .196 (5.0) Min and .118 (3.0) Min on the Socket 0.00015 (0.00381) of Bright Tin-Lead is Plated on the Termination End of the Contact

9005174 0000004 304



KYCON D-Subminiature Connectors

K85R1/K85R2 Series Right Angle D-Subs Open Body



Ordering Information

K85R1	-	E	D	-	9	S	-	N		
Series		Shell Size	Contact Construction		Number of Contacts	Contact Type		Mounting Options		Plating Options

Series
K85R1-Kycon Right Angle D-Subminiature Connector, .283" (7.2 mm) Foot Print

K85R2-Kycon Right Angle D-Subminiature Connector, .370" (9.4 mm) European Foot Print

Shell Size
E-9 Contacts B-25 Contacts
A-15 Contacts C-37 Contacts

Contact Construction
D-Precision Formed Right Angle
C-Precision Machined Right Angle

Number of Contacts
9, 15, 25, 37

Pin Contact Type
P-Pin Contact (Plug)
S-Socket Contact (Receptacle)

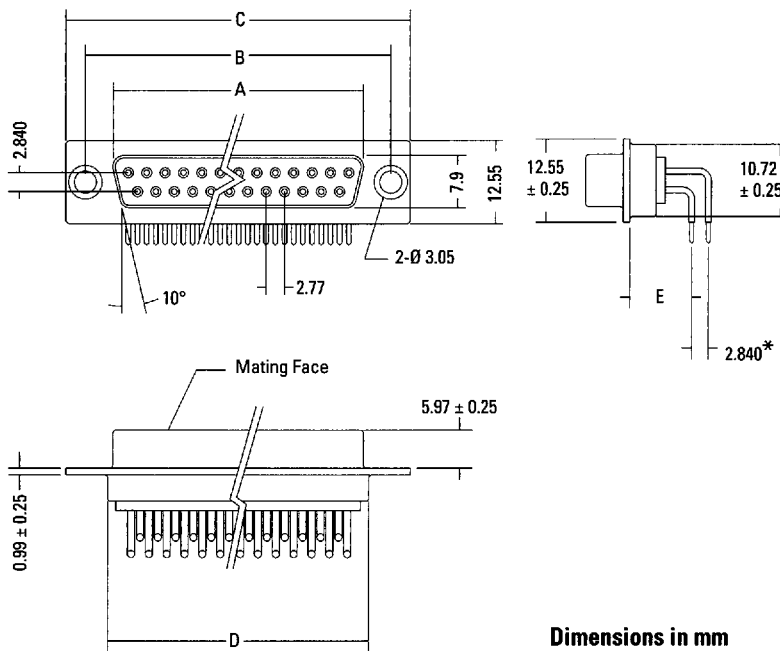
Mounting Options
Standard-No Mounting Brackets
O-Mounting Brackets with Non-Threaded Mounting Holes
N-Mounting Brackets with Grounding Board Lock

Plating Options (See Page 3)

Number of Contacts (Shell Size)	Dimensions (Inch/mm)						
	A	A1	B	C	D	E	F
9(E)	.643 16.33	.666 16.92	.984 24.99	1.231 30.81	.795 19.28	7.2	8.62
15(A)	.971 24.66	.994 25.25	1.312 33.32	1.541 39.14	1.083 27.51		
25(B)	1.511 38.38	1.534 38.96	1.852 47.04	2.088 53.04	1.652 41.30	9.4	10.82
37(C)	2.059 54.84	2.182 55.42	2.500 63.50	2.729 69.32	2.272 57.71		

Dimensions

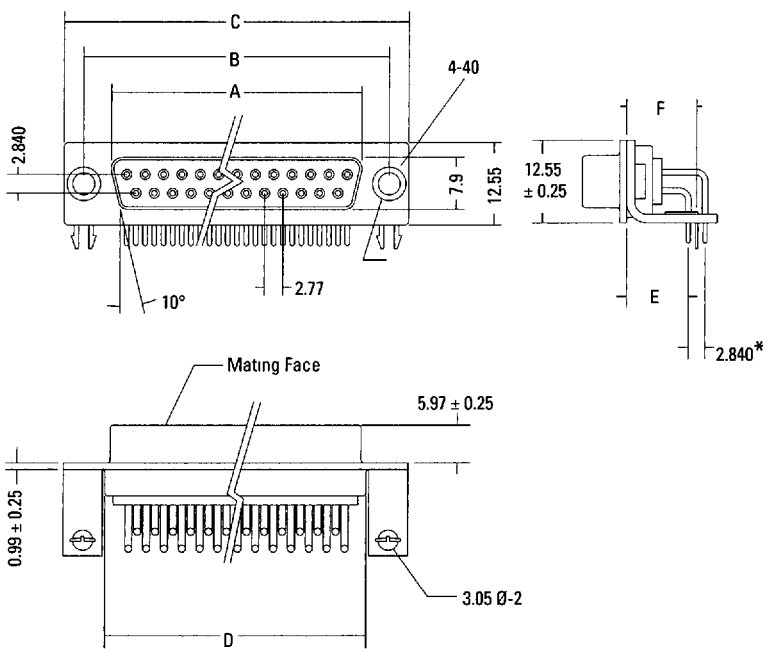
Standard with No Mounting Brackets



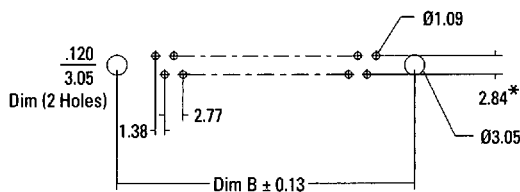
Dimensions in mm

Dimensions

With Mounting Brackets, Grounding Board Lock



Recommended P.C. Board Layout (Top View)



*This dimension is also available in 2.54 mm