

Customer Information Sheet

DRAWING No.: M20-786XXXXP

SHEET 2 OF 2

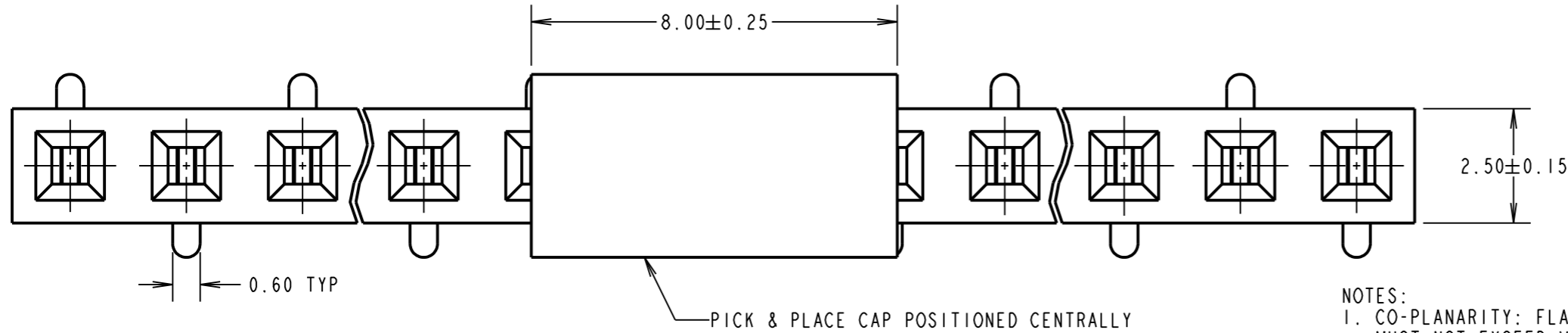
IF IN DOUBT - ASK

©

NOT TO SCALE

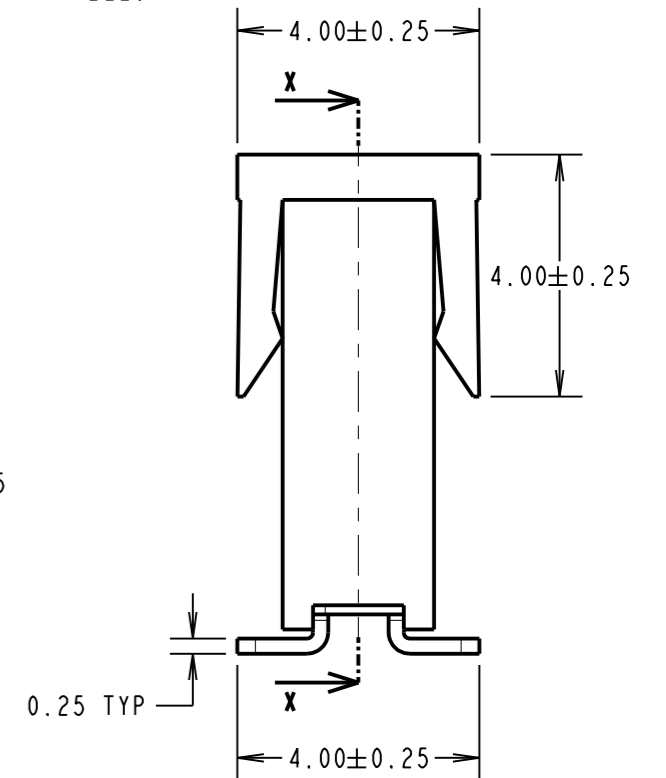
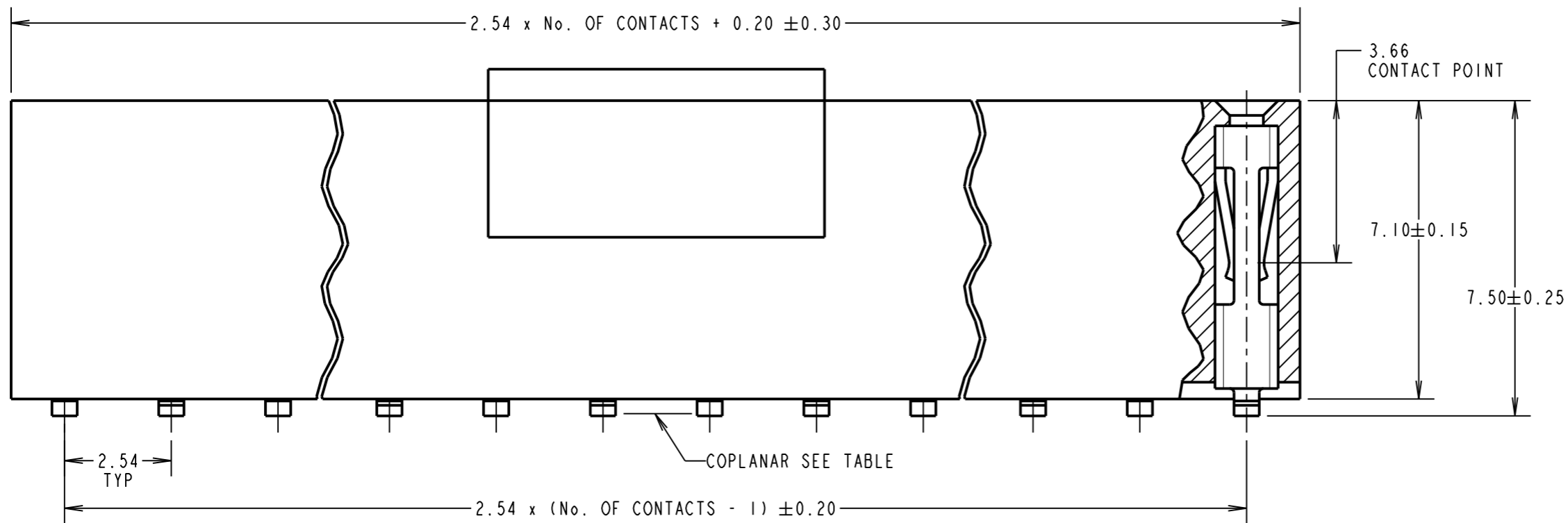
THIRD ANGLE PROJECTION

ALL DIMENSIONS IN mm

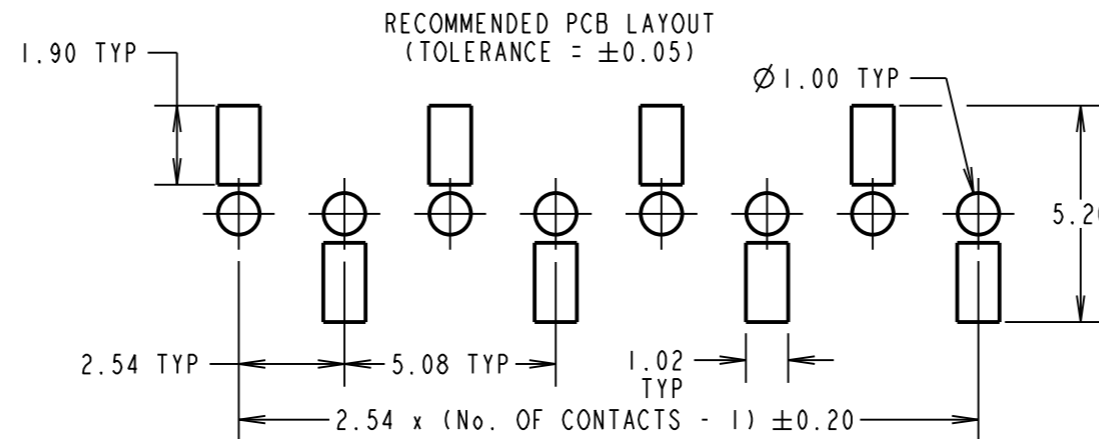


No OF CONTACTS	COPLANARITY TOLERANCE
1x02 TO 1x10	0.12mm MAX
1x11 TO 1x15	0.15mm MAX
1x16 TO 1x20	0.15mm MAX
1x21 TO 1x25	0.20mm MAX
1x26 TO 1x30	0.25mm MAX
1x31 TO 1x35	0.30mm MAX
1x36 TO 1x40	0.35mm MAX

NOTES:
1. CO-PLANARITY: FLATNESS OF SMT TAILS MUST NOT EXCEED VALUES GIVEN IN TABLE.



SPECIFICATION:
MATERIAL:
 MOULDING = NYLON 6T UL94V-0, BLACK
 CONTACTS = PHOSPHOR BRONZE
FINISH (OVER NICKEL):
 42 = GOLD ON CONTACT AREA, 100% TIN ON TAILS
 46 = 100% TIN
ELECTRICAL:
 CURRENT RATING = 3A
 VOLTAGE PROOF = 600V AC FOR 1 MINUTE
 CONTACT RESISTANCE = 20mΩ MAX
 INSULATION RESISTANCE = 1,000MΩ MIN
MECHANICAL:
 DURABILITY = 300 CYCLES MIN
 INSERTION FORCE = 2.0N MAX
 WITHDRAWAL FORCE = 0.3N MIN
ENVIRONMENTAL:
 TEMPERATURE RANGE = -40°C TO +105°C
PACKING:
 TUBE
 FOR COMPLETE COMPONENT SPECIFICATION SEE COMPONENT SPECIFICATION COOIXX (LATEST ISSUE).



ORDER CODE:
M20-786XXXXP
 No. OF CONTACTS _____
 02 TO 40
 FINISH _____
 42 - SELECTIVE GOLD + 100% TIN
 46 - 100% TIN

MSP	8	12.12.16	13421
NAME	ISS.	DATE	C/NOTE
APPROVED:		M. PERREN	
CHECKED:		S. BENNETT	
DRAWN:		J. BROOKES	
CUSTOMER REF.:			
ASSEMBLY DRG:			

HARWIN

www.harwin.com
 technical@harwin.com

THIS DRAWING AND ANY INFORMATION OR DESCRIPTIVE MATTER SET OUT HEREON ARE CONFIDENTIAL AND COPYRIGHT PROPERTY OF THE HARWIN GROUP AND MUST NOT BE DISCLOSED, LOANED, COPIED OR USED FOR MANUFACTURING, TENDERING OR FOR ANY OTHER PURPOSE WITHOUT THEIR WRITTEN PERMISSION.

TOLERANCES
 X. = ±1mm
 X.X = ±0.25mm
 X.XX = ±0.10mm
 X.XXX = ±0.01mm
 ANGLES = ±5°
 UNLESS STATED

MATERIAL:
 SEE ABOVE
FINISH:
 SEE ABOVE
S/AREA:
 mm²

TITLE: 2.54mm PITCH SIL VERTICAL FEMALE SMT SKT ASSY DUAL ENTRY - PICK/PLACE CAP
DRAWING NUMBER:
M20-786XXXXP
 SHT 2 OF 2