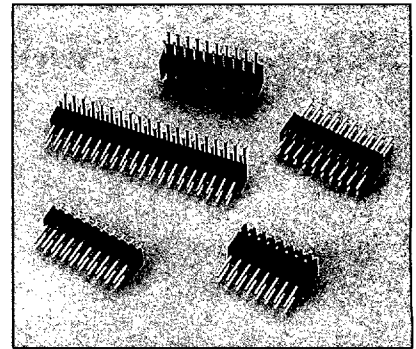


.100" (2.54mm) HIGH PROFILE PIN HEADER

SPECIFICATION

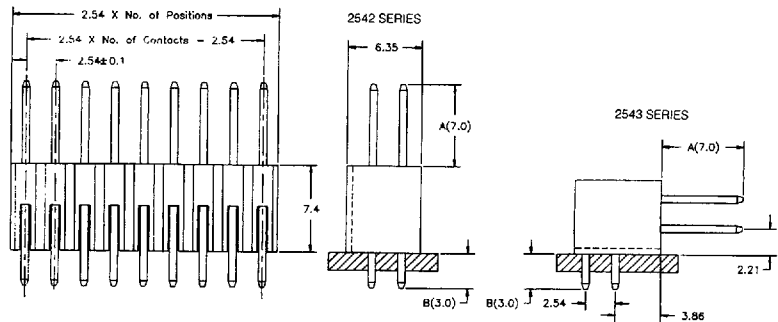
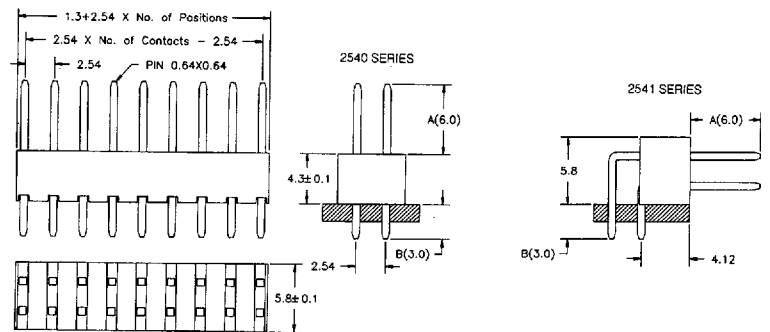
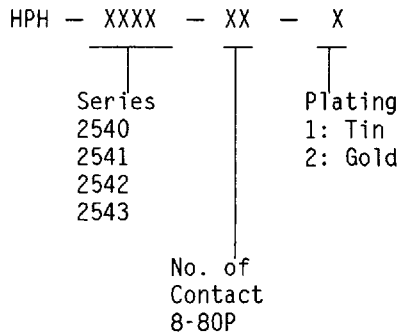
- * Current Rating:
3 A
- * Withstanding Voltage:
500 VAC (1 min.)
- * Insulation Resistance:
1000 M Ω min.
- * Contact Resistance:
20 m Ω max.
- * Operating Temperature:
-40°C to +85°C



MATERIAL

- * Contact: Brass
- * Post Size: 0.64mm square.
- * Insulator: PBT & 30% G. F.
- * Plated: Tin or Gold

ORDER INFORMATION



Specifications are subject to change without notice