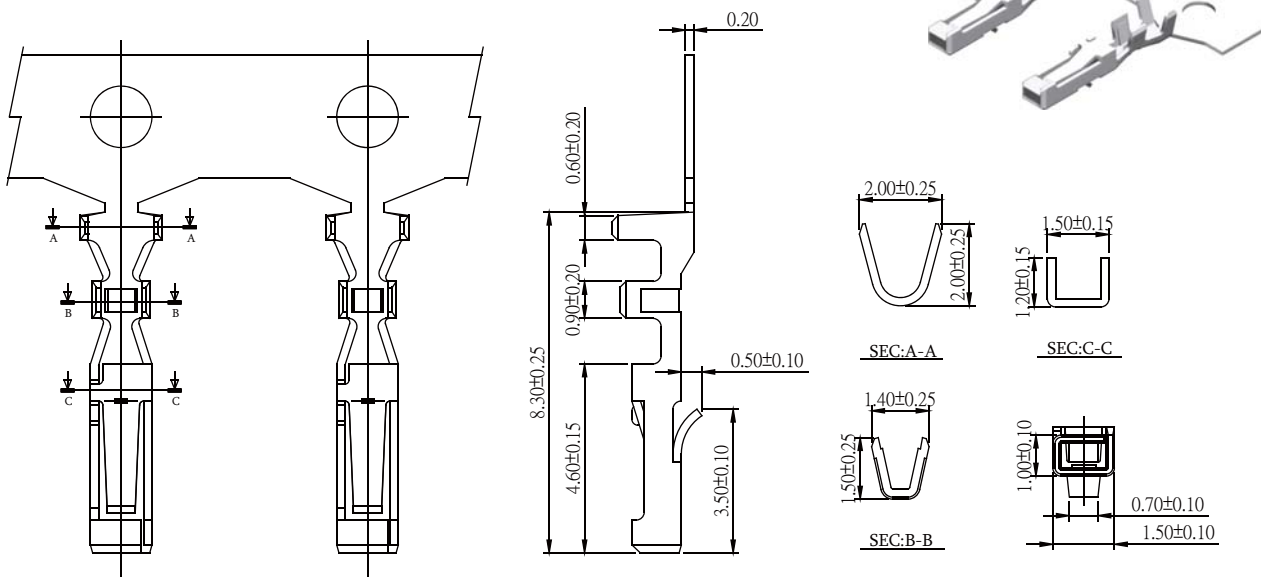


2.0mm Terminal / Housing

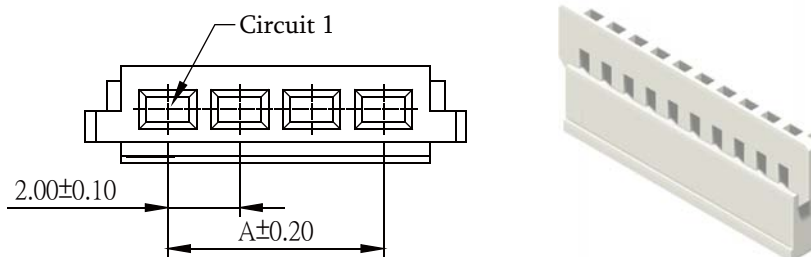


Part No.:2009-FT-L

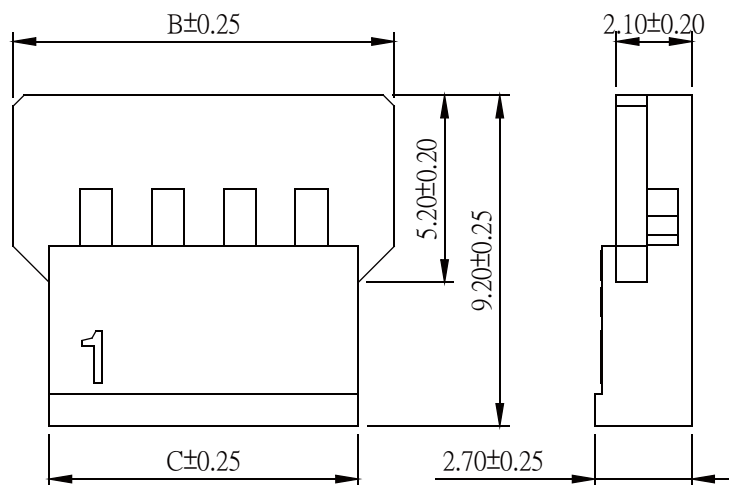
Wire Range	Insulation O. D.	Material	Finish
AWG#24-#28	1.15mm(max)	Brass	Tin Plated

Specifications

Current Rating: 2A AC,DC
 Voltage Rating: 125V AC,DC
 Temperature Range: -25°C to +85°C
 Contact Resistance: 20mΩ Max
 Insulation Resistance: 1000MΩ Min
 Withstanding Voltage: 500V AC/minute
 Material:Nylon 66,UL94V-0



Part No.	Dimensions		
	A	B	C
2009H-F02W-L	2.00	6.60	4.60
2009H-F03W-L	4.00	8.60	6.60
2009H-F04W-L	6.00	10.60	8.60
2009H-F05W-L	8.00	12.60	10.60
2009H-F06W-L	10.00	14.60	12.60
2009H-F07W-L	12.00	16.60	14.60
2009H-F08W-L	14.00	18.60	16.60
2009H-F09W-L	16.00	20.60	18.60
2009H-F10W-L	18.00	22.60	20.60
2009H-F11W-L	20.00	24.60	22.60
2009H-F12W-L	22.00	26.60	24.60
2009H-F13W-L	24.00	28.60	26.60



Part No.:2009H-FXXW-L