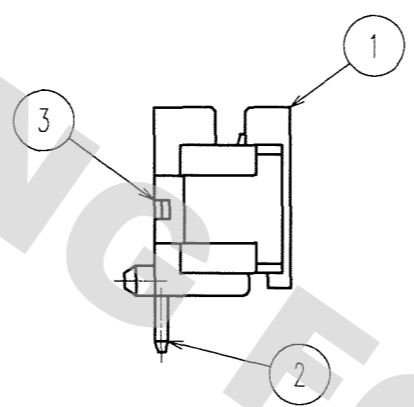
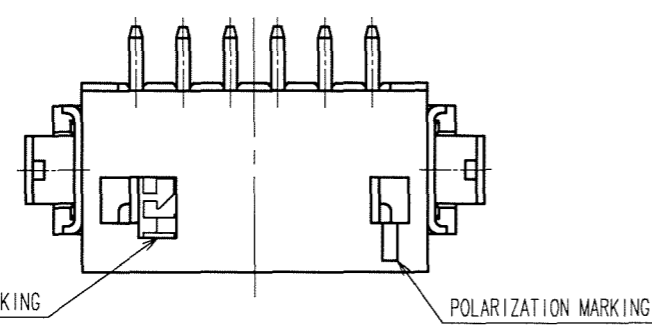
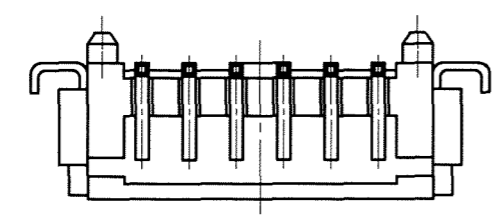
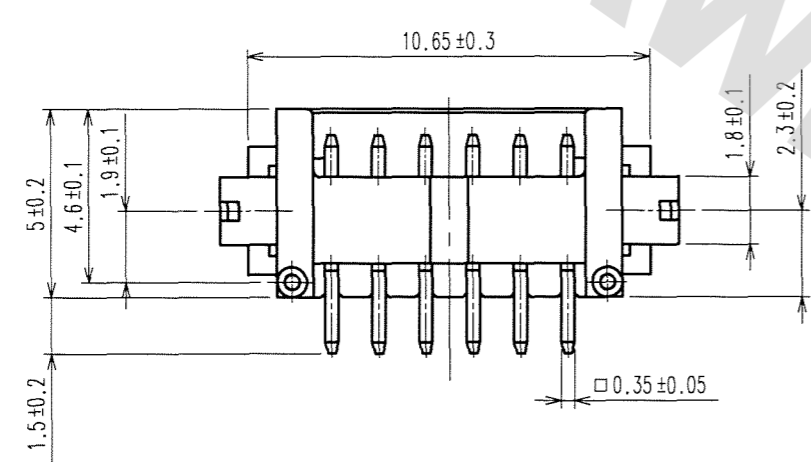
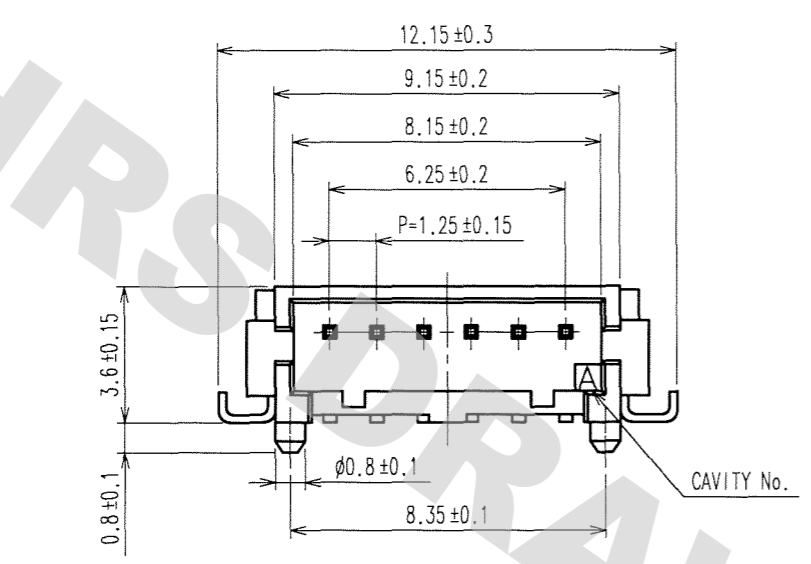
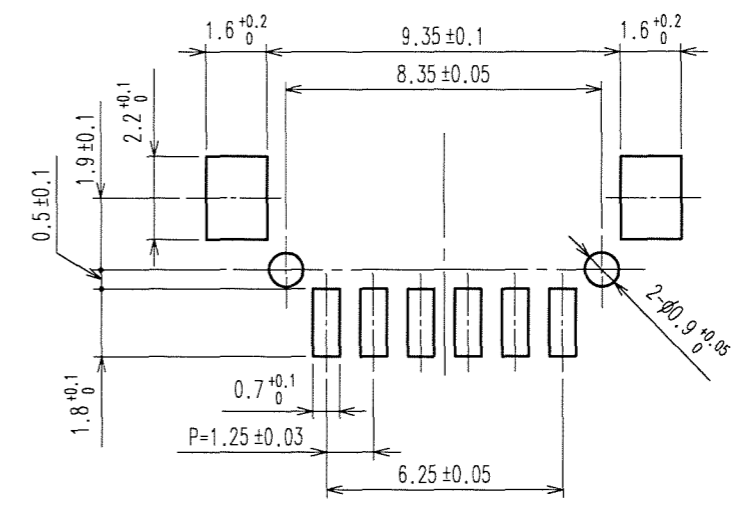


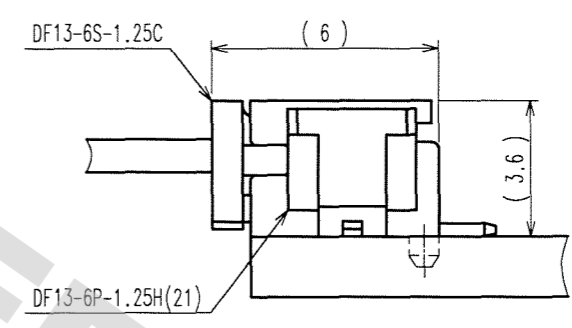
COUNT	DESCRIPTION OF REVISIONS	BY	CHKD	DATE	COUNT	DESCRIPTION OF REVISIONS	BY	CHKD	DATE
△				..	△				..
△				..	△				..
△				..	△				..



RECOMMENDED PATTERN



1 APPLICATION DIAGRAM



NOTES 1 WHEN THIS CONNECTOR MATES WITH DF13-6S-1.25C, THE MATING LENGTH IS 3.6mm.
 2 LEAD CO-PLANARITY INCLUDING REINFORCED METAL FITTINGS SHALL BE WITHIN 0.1mm.

2	BRASS	SURFACE:TIN PLATED 1μm min UNDER PLATING:COPPER PLATED 1μm min	5	POLYESTER	COVER TAPE,CLEAR
1	POLYAMIDE	NATURAL(BEIGE),UL94V-0	4	PS	EMBOSSED CARRIER TAPE,CLEAR
			3	PHOSPHOR BRONZE	SURFACE:TIN PLATED 1μm min
NO.	MATERIAL	FINISH, REMARKS	NO.	MATERIAL	FINISH, REMARKS

CODE NO. (OLD)	DRAWN	DESIGNED	CHECKED	APPROVED	RELEASED
	A.Miura '06.06.07	T.Kumazawa '06.06.07	A.Umehara '06.06.07	J.Oma '06.06.08	..

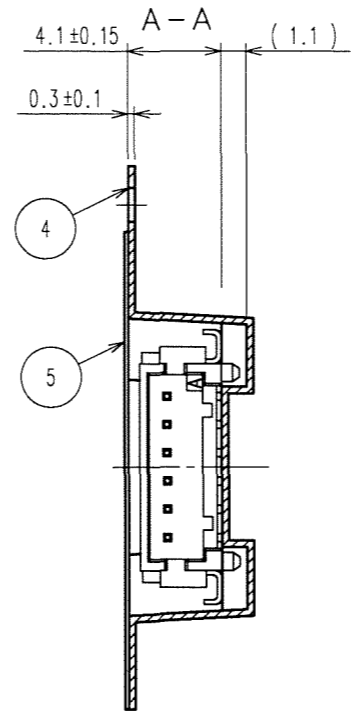
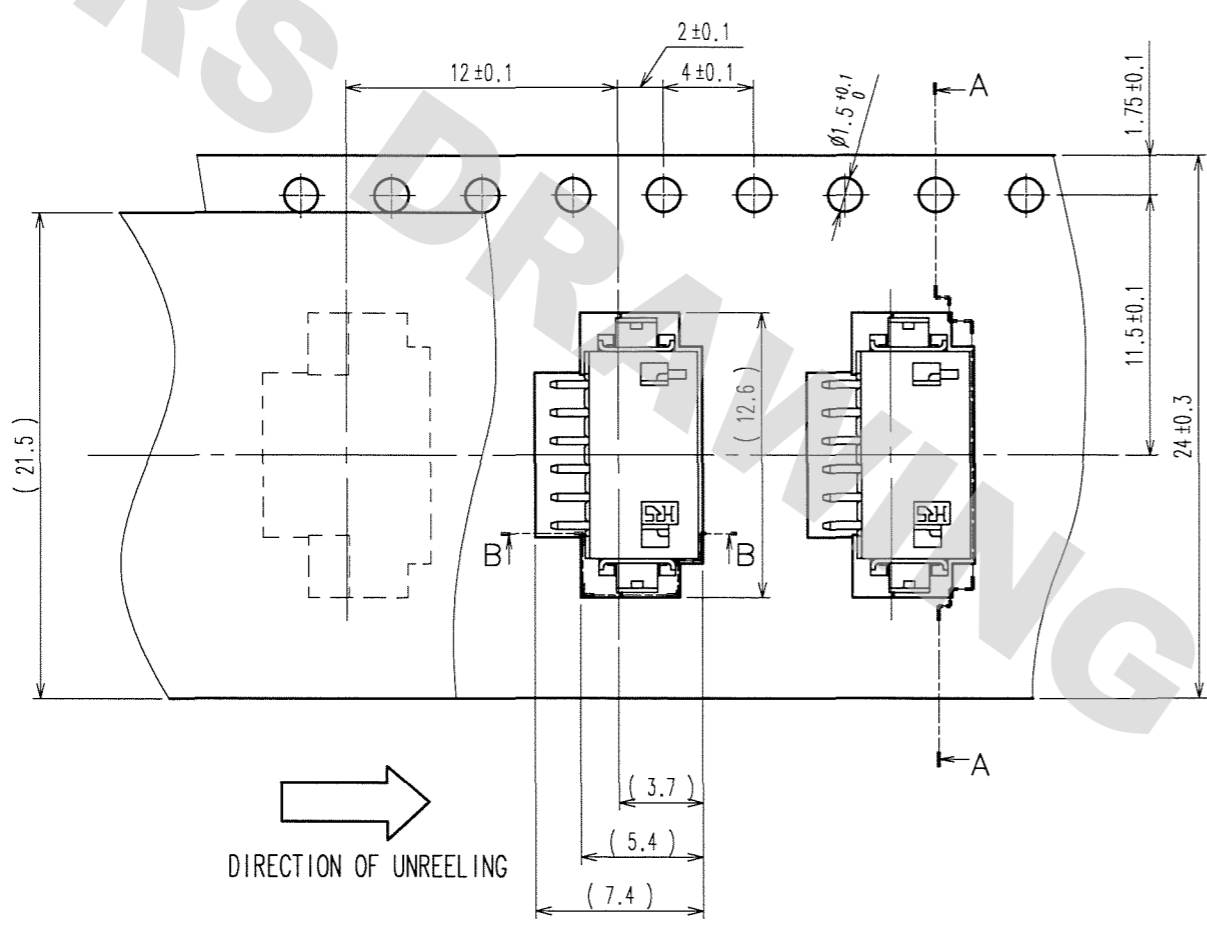
SCALE 5 : 1	DRAWING NO. EDC3-081847-03	PART NO. DF13-6P-1.25H(21)
UNITS mm	HRS HIROSE ELECTRIC CO., LTD	CODE NO. CL536-0255-2-21

DRAWING FOR REFERENCE: This is subject to change without notice
08/11/2012

TO

DRAWING FOR REFERENCE: This is subject to change without notice
08/11/2012

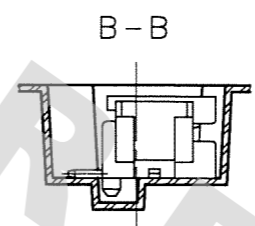
COUNT	DESCRIPTION OF REVISIONS	BY	CHKD	DATE	COUNT	DESCRIPTION OF REVISIONS	BY	CHKD	DATE



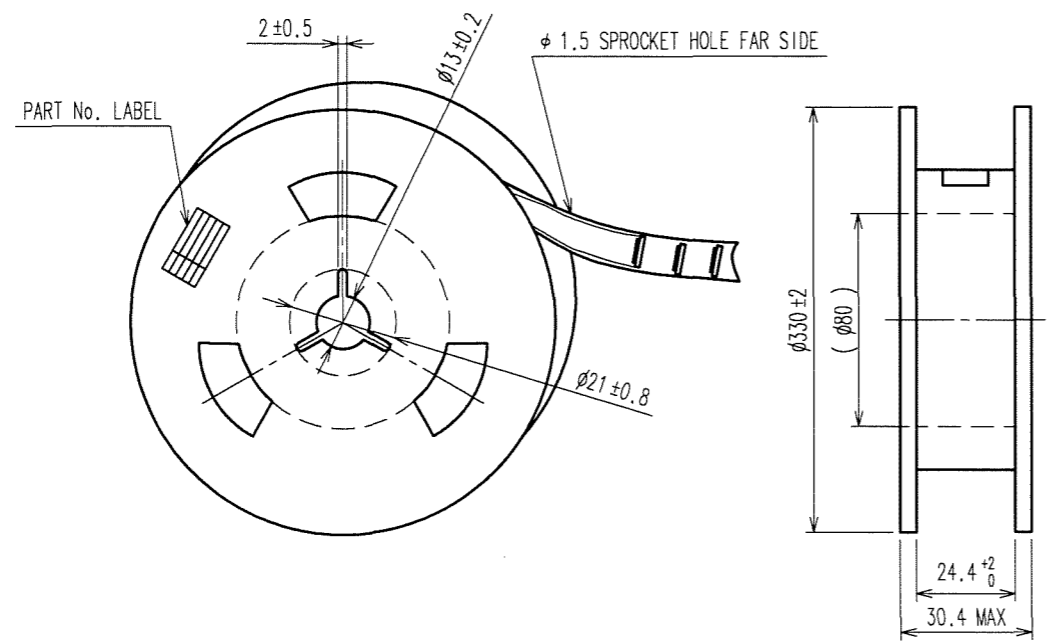
5 DETAIL OF PART No. LABEL

生産月日	年 月 日
図番	CL536-0255-2-21
品名	DF13-6P-1.25H(21)
納入数量	1000k
納入者	ヒロセ電機(株)

— SUPPLIER
 — QUANTITY
 — PART No.
 — CODE No.
 — DATE OF MANUFACTURED



STYLE AND DIMENSION OF REEL



NOTES 3 1 REEL : 1000 CONNECTORS.
 4 AT THE BEGINNING OF THE REEL, 30 COMPONENTS SHALL BE EMPTY.
 AT THE END OF THE REEL, 20 COMPONENTS SHALL BE EMPTY.
 5 DETAIL OF PART No. LABEL IS WRITTEN IN JAPANESE.

TO

CODE NO. (OLD)	DRAWN	DESIGNED	CHECKED	APPROVED	RELEASED
	A.Miura	T.Kumagawa	H.Uehara	J.Oma	
	'06.06.07	'06.06.07	'06.06.07	'06.06.08	
SCALE	DRAWING NO.	PART NO.			
FR : EE	EDC3-081847-03	DF13-6P-1.25H(21)			
UNITS	HRS HIROSE ELECTRIC CO., LTD		CODE NO.		
mm			CL536-0255-2-21	2	