

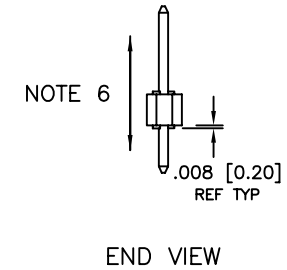
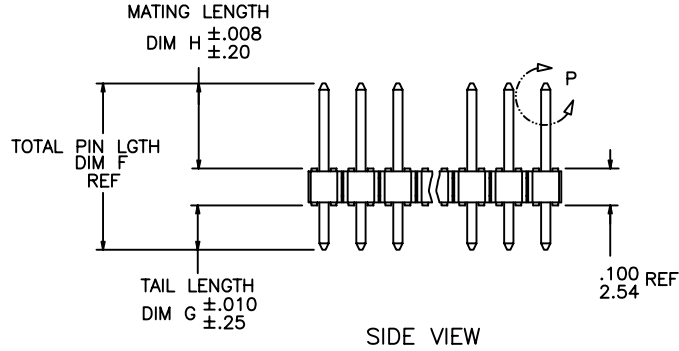
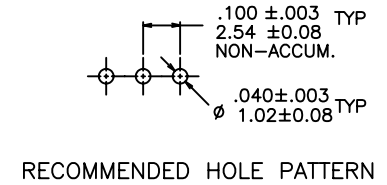
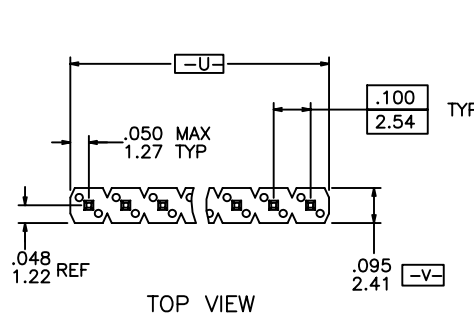
Tous droits strictement reserves. Reproduction ou communication a des tiers interdite sous quelque forme que ce soit sans autorisation ecrite du proprietaire. Propriete de c FCI. Droits de reproduction FCI.

**FCI**

All rights strictly reserved. Reproduction or issue to third parties in any form whatever is not permitted without written authority from the proprietor. Property of FCI. Copyright FCI.

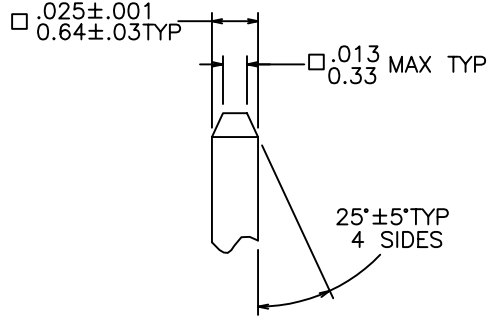
PRODUCT NUMBER  
XXXXX-YYY HTLF

- LEAD FREE OPTION (SEE NOTES 1)
- PACKAGING OPTIONS (SEE NOTE 1)
- HIGH TEMPERATURE PLASTIC (SEE NOTE 1)
- NO OF POSITIONS (SEE NOTE 1)
- PIN PLATING (SEE SHEET 2)
- BASE PART NO.



⊕ ⌀.020/.51 (M) U (M) V (S)

NOTE 4



DETAIL P  
TYP BOTH ENDS

mat'l. code				tolerances unless otherwise specified				CUSTOMER COPY		<b>FCI</b> www.fciconnect.com	
NOTES 2 & 3											
ltr	ecn no	dr	date	linear	.xx±.01/.x±.3			projection		title	
CC	V00561	DAI	02/18/00		.xxx±.005/.xx±.13			⊕ ↯		BERGSTIK® II HEADER	
CD	V01805	MDF	07/13/00		.xxx±.0020/.xxx±.051			INCH/MM		100/2.54cc SR STRAIGHT	
CE	V11181	DAI	04/12/01	angles	0°±2'			scale		product family BERGSTIK code 213	
CF	V20585	GIP	03/21/02	dr	T.BREWBAKER	01/05/95	1:1		size dwg no		sheet 1 of 8
CG	V20790	GIP	04/23/02	enrg	T.HANNA	01/05/95			A		
CH	V21800	TAB	12/16/02	chr	T.HANNA	01/05/95			68000		
CJ	M04-0234	MHT	12/29/04	appd	T.HANNA	01/05/95					
sheet index	revision	CJ	CJ	CJ	CJ	CJ	CJ	CJ			
	sheet	1	2	3	4	5	6	7	8		

cage code  
22526

ACAD

PDM: Rev:CJ

STATUS: Released

Printed: May 11, 2005

PIN PLATING CODES:

XXXXX-1YY	30u"/0.76u MIN (SEE NOTE 13) OVER 50u"/1.27u MIN Ni
XXXXX-2YY	15u"/0.38u MIN (SEE NOTE 13) OVER 50u"/1.27u MIN Ni
XXXXX-3YY	50u"/1.27u MIN Au OVER 50u"/1.27u MIN Ni
XXXXX-4YY	TIN LEAD OPTION 120u"/3.05u MIN 93/7 SnPb OVER 50u"/1.27u MIN Ni
	LF OPTION 100u"/2.54u MIN Sn OVER 50u"/1.27u MIN Ni (SEE NOTE 1,14)
XXXXX-5YY	15u"/0.38u MIN (SEE NOTE 13) OVER 50u"/1.27u MIN Ni
XXXXX-6YY	30u"/0.76u MIN (SEE NOTE 13) OVER 50u"/1.27u MIN Ni
XXXXX-7YY	15u"/0.38u MIN Au OVER 50u"/1.27u MIN Ni
XXXXX-8YY	30u"/0.76u MIN Au OVER 50u"/1.27u MIN Ni

NOTES

1. PART NUMBER OPTIONS:

PIN PLATING CODES (SEE ABOVE)

HIGH TEMP. MATERIAL:

FOR HIGH-TEMPERATURE APPLICATIONS, SPECIFY AN "H" AT THE END OF THE PART NUMBER.

NUMBER OF POSITIONS :

ANY NUMBER OF POSITIONS FROM 1 THRU 36.  
-X00H INDICATES BERGSTRIK PRODUCT. SEE PAGE 3 FOR SPECIAL GEOMETRY OF THIS CONTINUOUS STRIP PRODUCT.  
AUTOMATED REELS WILL CONTAIN 36,000 PINS.  
SEE SPECIFIC PART NUMBERS FOR AVAILABILITY.

PACKAGING :

NO INDICATOR IS STANDARD PACKAGING IN POLY BAGS.  
EIGHT DIGIT PART NUMBERS FOLLOWED BY A "T" ARE PACKAGED IN TUBES. SEE SPECIFIC PART NUMBERS FOR AVAILABILITY.  
EIGHT DIGIT PART NUMBERS FOLLOWED BY A "C" ARE PACKAGED IN TUBES WITH PICKUP CAP APPLIED. (NOT TOOLED)

BERGSTRIK™ PART NUMBERS FOLLOWED BY A "B" ARE BULK PRICED.

LEAD FREE :

ADD LF SUFFIX AT THE END OF PART NUMBER FOR LEAD FREE OPTION, NOT AVAILABLE FOR -5YY, -5YYH, -6YY & -6YYH

- 2. BODY MATERIAL :  
BERGSTIK: MANUFACTURER'S OPTION OF NYLON OR PCT, GLASS FIBER REINFORCED, FLAME RETARDENT PER UL-94V-0. COLOR : BLACK  
BERGSTRIK™: PRODUCED WITH HIGH TEMPERATURE LCP THERMOPLASTIC, FLAME RETARDENT PER UL-94V-0. COLOR : BLACK  
PART NUMBERS WITH "H" SUFFIX WILL WITHSTAND EXPOSURE TO 260° C PEAK TEMPERATURE FOR 20 SECONDS IN WAVE SOLDER, INFRA-RED OR VAPOR PHASE SOLDER PROCESS.  
PART NUMBERS WITHOUT "H" SUFFIX WILL WITHSTAND EXPOSURE TO 260° C PEAK TEMPERATURE FOR WAVE SOLDER PROCESS.
- 3. PIN MATERIAL : PHOS-BRONZE.
- 4. MEASURED WITH PART IN RESTRAINED CONDITION.  
5. TWO SIDES OF PIN TIPS NOT PLATED. TYPICAL BOTH ENDS.
- 6. 2LBS/0.9KG MIN PIN RETENTION IN EITHER DIRECTION.
- 7. PIN CANNOT PROTRUDE PAST EDGE OF HOUSING. MUST BE .005±.005/.13±.13 FROM END OF HOUSING HOLE.
- 8. MILITARY BERGSTIK HEADER  
P/N XXXXX-YYY-MIL.  
NOT AVAILABLE.
- 9. ±.010/0.25 TOL APPLIES TO ALL "G" TAILS EXCEPT INDICATED PARTS ON TABLE WHERE +.010/0.25 -.000/0.00 APPLIES.
- 10. INDICATED PART NUMBERS ARE PRODUCED AND SOLD IN THE TAIWAN/SINGAPORE AREAS. THESE ARE NOT AVAILABLE IN BERGSTRIK™ CONTINUOUS STRIP.
- 11. NOTCH CONFIGURATION WILL VARY PER VENDOR'S DISCRETION.
- 12. THESE PRODUCTS MEETS EUROPEAN UNION DIRECTIVES AND OTHER COUNTRY REGULATION AS DESCRIBED IN GS-22-008.
- 13. PLATING OPTIONS:  
MAY BE EITHER GOLD OR GXT PLATED AT MANUFACTURER'S OPTION.
- 14. "THIS PRODUCT HAS 100% TIN PLATING IN THE INTERFACE AND HAS NOT BEEN TESTED FOR WHISKER GROWTH IN ALL INTERCONNECT ENVIRONMENTS."

Tous droits strictement reserves. Reproduction ou communication a des tiers interdite sous quelque forme que ce soit sans autorisation ecrite du proprietaire. Propriete de c FCI. Droits de reproduction FCI.



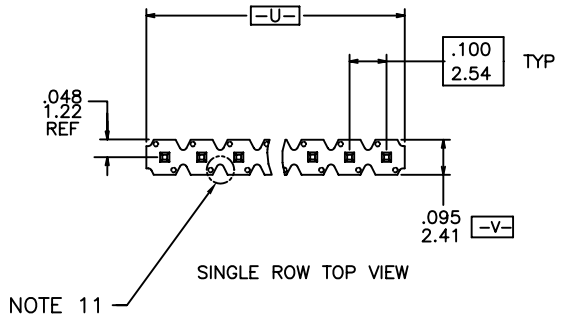
All rights strictly reserved. Reproduction or issue to third parties in any form whatever is not permitted without written authority from the proprietor. Property of FCI. Copyright FCI.

mat'l. code NOTES 2 & 3				tolerances unless otherwise specified				CUSTOMER COPY		 www.fciconnect.com	
ltr	ecn no	dr	date	linear	.XX±.01/.X±.3			projection	title		
CJ					.XXX±.005/.XX±.13				BERGSTIK® II HEADER		
					.XXXX±.0020/.XXX±.051				100/2.54cc SR STRAIGHT		
				angles	σ±2'			 INCH/MM scale 1:1	product family BERGSTIK		code
				dr	T.BREWBAKER	01/05/95	size		213		
				enrg	T.HANNA	01/05/95	dwg no		sheet		
				chr	T.HANNA	01/05/95	A		68000		
				appd	T.HANNA	01/05/95			2 of 8		
sheet index	revision sheet										

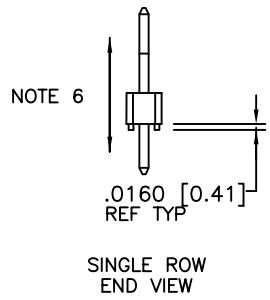
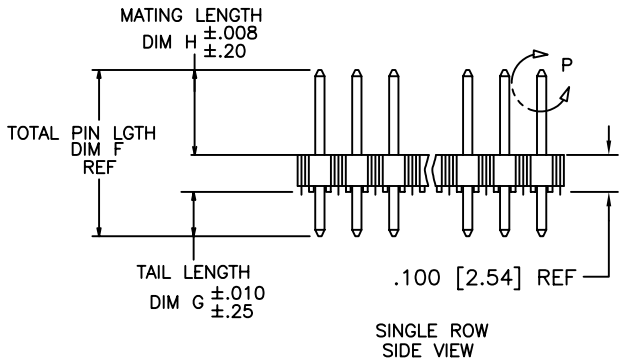
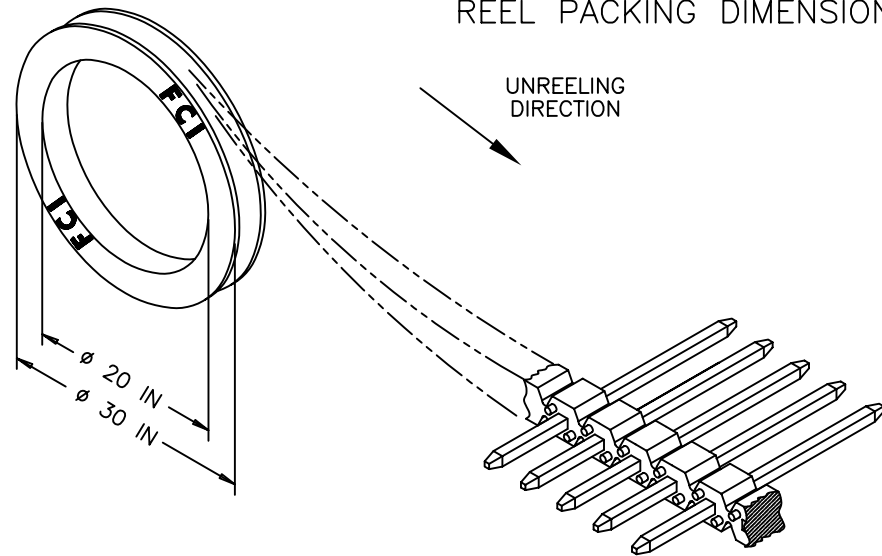
Tous droits strictement reserves. Reproduction ou communication a des tiers interdite sous quelque forme que ce soit sans autorisation ecrite du proprietaire. Propriete de c FCI. Droits de reproduction FCI.

All rights strictly reserved. Reproduction or issue to third parties in any form whatever is not permitted without written authority from the proprietor. Property of FCI. Copyright FCI.

BERGSTRIPTM HEADER



REEL PACKING DIMENSIONS




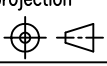
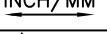
mat'l. code NOTES 2 & 3				tolerances unless otherwise specified			CUSTOMER COPY	 www.fciconnect.com	
ltr	ecn no	dr	date	linear	.XX±.01/.X±.3			projection  INCH/MM	title
CJ					.XXX±.005/.XX±.13		BERGSTIK® II HEADER		code
				angles	.XXX±.0020/.XXX±.051		product family BERGSTIK size dwg no A 68000	213	
				dr	T.BREWBAKER	01/05/95		sheet	
				enr	T.HANNA	01/05/95		3 of 8	
				chr	T.HANNA	01/05/95			
				appd	T.HANNA	01/05/95			
sheet index	revision sheet								

PRODUCT NUMBER	TOTAL PIN LGTH		TAIL LENGTH		MATING LENGTH		PACKAGING	NOTES	BERGSTRIK™	LF OPTION
	DIM F	DIM F	DIM G	DIM G	DIM H	DIM H			AVAILABLE	
	ENGLISH	METRIC	ENGLISH	METRIC	ENGLISH	METRIC				
55492-XYH	0.315	8.00	0.095	2.41	0.120	3.05	POLY BAGS	-	NO	NOTE 1,12
60017-XYH	0.640	16.26	0.230	5.84	0.310	7.87	POLY BAGS	-	NO	
60018-XYH	0.660	16.76	0.250	6.35	0.310	7.87	POLY BAGS	-	NO	
63334-XYH	0.435	11.05	0.095	2.41	0.240	6.10	POLY BAGS	-	NO	
68000-XYH	0.425	10.80	0.095	2.41	0.230	5.84	POLY BAGS	-	YES	
68001-XYH	0.450	11.43	0.120	3.05	0.230	5.84	POLY BAGS/TUBES	-	YES	
68002-XYH	0.480	12.19	0.150	3.81	0.230	5.84	POLY BAGS	-	YES	
68003-XYH	0.525	13.34	0.195	4.95	0.230	5.84	POLY BAGS	-	NO	
68004-XYH	0.525	13.34	0.107	2.72	0.318	8.08	POLY BAGS	-	YES	
68024-XYH	0.568	14.43	0.150	3.81	0.318	8.08	POLY BAGS	-	YES	
68031-XYH	0.513	13.03	0.183	4.65	0.230	5.84	POLY BAGS	-	NO	
68032-XYH	0.543	13.79	0.213	5.41	0.230	5.84	POLY BAGS	-	NO	
68033-XYH	0.708	17.98	0.473	12.01	0.135	3.43	POLY BAGS	-	NO	
68415-XYH	0.615	15.62	0.115	2.92	0.400	10.16	POLY BAGS	-	NO	
68416-XYH	0.813	20.65	0.483	12.27	0.230	5.84	POLY BAGS	-	NO	
68418-XYH	0.730	18.54	0.400	10.16	0.230	5.84	POLY BAGS	-	NO	
68422-XYH	0.631	16.03	0.213	5.41	0.318	8.08	POLY BAGS	-	NO	
68443-XYH	0.755	19.18	0.425	10.80	0.230	5.84	POLY BAGS	-	NO	
68456-XYH	0.825	20.96	0.115	2.92	0.610	15.49	POLY BAGS	-	NO	
68457-XYH	0.548	13.92	0.130	3.30	0.318	8.08	POLY BAGS	-	NO	
68465-XYH	0.925	23.50	0.595	15.11	0.230	5.84	POLY BAGS	-	NO	
68466-XYH	0.925	23.50	0.128	3.25	0.697	17.70	POLY BAGS	-	NO	
68472-XYH	0.913	23.19	0.413	10.49	0.400	10.16	POLY BAGS	-	NO	
68479-XYH	0.718	18.24	0.388	9.86	0.230	5.84	POLY BAGS	-	NO	
68483-XYH	0.835	21.21	0.417	10.59	0.318	8.08	POLY BAGS	-	NO	
68487-XYH	0.705	17.91	0.110	2.79	0.495	12.57	POLY BAGS	-	NO	
68489-XYH	1.095	27.81	0.765	19.43	0.230	5.84	POLY BAGS	-	NO	
68490-XYH	1.025	26.04	0.695	17.65	0.230	5.84	POLY BAGS	-	NO	
68497-XYH	0.612	15.54	0.085	2.16	0.427	10.85	POLY BAGS	-	NO	
68603-XYH	0.555	14.10	0.120	3.05	0.335	8.51	POLY BAGS	-	NO	
68604-XYH	0.600	15.24	0.120	3.05	0.380	9.65	POLY BAGS	-	NO	

Tous droits strictement reserves. Reproduction ou communication a des tiers interdite sous quelque forme que ce soit sans autorisation ecrite du proprietaire. Propriete de c FCI. Droits de reproduction FCI.

All rights strictly reserved. Reproduction or issue to third parties in any form whatever is not permitted without written authority from the proprietor. Property of FCI. Copyright FCI.

NOTE 1,12

mat'l. code NOTES 2 & 3				tolerances unless otherwise specified				CUSTOMER COPY		 www.fciconnect.com			
ltr	ecn no	dr	date	linear	.XX±.01/.X±.3			projection 	title BERGSTIK® II HEADER				
CJ					.XXX±.005/.XX±.13				100/2.54cc SR STRAIGHT				
				angles	.XXX±.0020/.XXX±.051			INCH/MM 	product family BERGSTIK				
					σ±2'				code 213				
				dr	T.BREWBAKER	01/05/95	scale 1:1	A		size			
				enr	T.HANNA	01/05/95				68000		sheet 4 of 8	
				chr	T.HANNA	01/05/95							
				appd	T.HANNA	01/05/95							
sheet index	revision sheet												

PRODUCT NUMBER	TOTAL PIN LGTH		TAIL LENGTH		MATING LENGTH		PACKAGING	NOTES	BERGSTRIPTM AVAILABLE	LF OPTION
	DIM F	DIM F	DIM G	DIM G	DIM H	DIM H				
	ENGLISH	METRIC	ENGLISH	METRIC	ENGLISH	METRIC				
68629-XY	0.621	15.77	0.203	5.16	0.318	8.08	POLY BAGS	-	NO	NOTE 1,12
68630-XY	0.603	15.32	0.273	6.93	0.230	5.84	POLY BAGS	-	NO	
68631-XY	0.703	17.86	0.203	5.16	0.400	10.16	POLY BAGS	-	NO	
68632-XY	0.743	18.87	0.413	10.49	0.230	5.84	POLY BAGS	-	NO	
68633-XY	0.643	16.33	0.225	5.72	0.318	8.08	POLY BAGS	-	NO	
68634-XY	1.013	25.73	0.683	17.35	0.230	5.84	POLY BAGS	-	NO	
68642-XY	0.913	23.19	0.583	14.81	0.230	5.84	POLY BAGS	-	NO	
68652-XY	1.470	37.34	0.670	17.02	0.700	17.78	POLY BAGS	-	NO	
68653-XY	0.735	18.67	0.095	2.41	0.540	13.72	POLY BAGS	-	NO	
68654-XY	1.050	26.67	0.670	17.02	0.280	7.11	POLY BAGS	-	NO	
68655-XY	0.708	17.98	0.290	7.37	0.318	8.08	POLY BAGS	-	NO	
68656-XY	1.113	28.27	0.613	15.57	0.400	10.16	POLY BAGS	-	NO	
68657-XY	0.588	14.94	0.368	9.35	0.120	3.05	POLY BAGS	-	NO	
68658-XY	0.820	20.83	0.130	3.30	0.590	14.99	POLY BAGS	-	NO	
68659-XY	0.608	15.44	0.398	10.11	0.110	2.79	POLY BAGS	-	NO	
68686-XY	1.016	25.81	0.458	11.63	0.458	11.63	POLY BAGS	-	NO	
68689-XY	0.913	23.19	0.213	5.41	0.600	15.24	POLY BAGS	-	NO	
68705-XY	0.395	10.03	0.095	2.41	0.200	5.08	POLY BAGS	-	NO	
68717-XY	0.615	15.62	0.285	7.24	0.230	5.84	POLY BAGS	-	NO	
68730-XY	0.555	14.10	0.225	5.72	0.230	5.84	POLY BAGS	-	NO	
68731-XY	0.880	22.35	0.440	11.18	0.340	8.64	POLY BAGS	-	NO	
68735-XY	1.016	25.81	0.520	13.21	0.396	10.06	POLY BAGS	-	NO	
68755-XY	1.166	29.62	0.533	13.54	0.533	13.54	POLY BAGS	-	NO	
68760-XY	0.803	20.40	0.353	8.97	0.350	8.89	POLY BAGS	-	NO	
68762-XY	0.588	14.94	0.213	5.41	0.275	6.99	POLY BAGS	-	NO	
68771-XY	0.470	11.94	0.100	2.54	0.270	6.86	POLY BAGS	-	NO	
68781-XY	0.691	17.55	0.273	6.93	0.318	8.08	POLY BAGS	-	NO	

Tous droits strictement reserves. Reproduction ou communication a des tiers interdite sous quelque forme que ce soit sans autorisation ecrite du proprietaire. Propriete de c FCI. Droits de reproduction FCI.


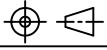
All rights strictly reserved. Reproduction or issue to third parties in any form whatever is not permitted without written authority from the proprietor. Property of FCI. Copyright FCI.

FCI

A

B

B

mat'l. code NOTES 2 & 3				tolerances unless otherwise specified				CUSTOMER COPY		 www.fciconnect.com	
ltr	ecn no	dr	date	linear	.XX±.01/.X±.3			projection 	title		
CJ					.XXX±.005/.XX±.13				BERGSTIK® II HEADER		
					.XXXX±.0020/.XXX±.051				100/2.54cc SR STRAIGHT		
				angles	0°±2'			INCH/MM ↔	product family		
				dr	T.BREWBAKER	01/05/95	BERGSTIK		code		
				enr	T.HANNA	01/05/95	size		213		
				chr	T.HANNA	01/05/95	scale		sheet		
				appd	T.HANNA	01/05/95	A		68000	5 of 8	
sheet index	revision sheet										

PRODUCT NUMBER	TOTAL PIN LGTH		TAIL LENGTH		MATING LENGTH		PACKAGING	NOTES	BERGSTRIPTM	LF OPTION
	DIM F	DIM F	DIM G	DIM G	DIM H	DIM H			AVAILABLE	
	ENGLISH	METRIC	ENGLISH	METRIC	ENGLISH	METRIC				
68795-XYY	0.500	12.70	0.062	1.57	0.338	8.59	POLY BAGS	-	NO	NOTE 1,12
68796-XYY	0.633	16.08	0.423	10.74	0.110	2.79	POLY BAGS	-	NO	
68797-XYY	0.413	10.49	0.213	5.41	0.100	2.54	POLY BAGS	-	NO	
69148-XYY	0.442	11.43	0.000	0.00	0.350	8.89	POLY BAGS	-	NO	
69152-XYY	0.720	18.29	0.120	3.05	0.500	12.70	POLY BAGS/TUBES	-	NO	
69173-XYY	0.530	13.46	0.135	3.43	0.295	7.49	POLY BAGS	-	NO	
69188-XYY	0.751	19.08	0.333	8.46	0.318	8.08	POLY BAGS	-	NO	
69751-XYY	0.440	11.18	0.170	4.32	0.170	4.32	POLY BAGS	NOTE 10	NO	
71417-XYY	0.664	16.87	0.115	2.92	0.449	11.40	POLY BAGS	NOTE 10	NO	
72260-YYYH	0.930	23.62	0.090	2.29	0.740	18.80	POLY BAGS	-	NO	
72323-YYYH	1.200	30.48	0.100	2.54	1.000	25.40	POLY BAGS	-	NO	
72457-YYYH	1.100	27.94	0.090	2.29	0.910	23.11	POLY BAGS	-	NO	
73698-YYYH	1.100	27.94	0.120	3.05	0.880	22.35	POLY BAGS	-	NO	
74464-YYYH	1.028	26.11	0.610	15.49	0.318	8.08	POLY BAGS	-	NO	
78240-XYY	0.663	16.84	0.333	8.46	0.230	5.84	POLY BAGS	-	NO	
78287-XYY	0.678	17.22	0.120	3.05	0.458	11.63	POLY BAGS	-	NO	
78290-XYY	1.250	31.75	0.500	12.70	0.650	16.51	POLY BAGS	-	NO	
78511-XYY	0.538	13.67	0.120	3.05	0.318	8.08	POLY BAGS/TUBES	-	YES	
78595-XYY		NO	AVAILABLE					-	-	
78931-XYY		NO	AVAILABLE					-	-	
78958-XYY		NO	AVAILABLE					-	-	
78959-XYY		NO	AVAILABLE					-	-	
78977-XYY		NO	AVAILABLE					-	-	
78998-XYY	0.430	10.92	0.155	3.94	0.175	4.45	POLY BAGS	-	NO	
78999-XYY		NO	AVAILABLE					-	-	
79428-XYY	0.695	17.65	0.120	3.05	0.475	12.07	POLY BAGS	-	NO	
79849-XYY	0.620	15.75	0.120	3.05	0.400	10.16	POLY BAGS	-	NO	

Tous droits strictement reserves. Reproduction ou communication a des tiers interdite sous quelque forme que ce soit sans autorisation ecrite du proprietaire. Propriete de c FCI. Droits de reproduction FCI.


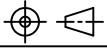
All rights strictly reserved. Reproduction or issue to third parties in any form whatever is not permitted without written authority from the proprietor. Property of FCI. Copyright FCI.

FCI

A

B


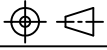
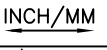
B

mat'l. code NOTES 2 & 3				tolerances unless otherwise specified				CUSTOMER COPY		 www.fciconnect.com	
ltr	ecn no	dr	date	linear	.XX±.01/.X±.3			projection	title		
CJ					.XXX±.005/.XX±.13				BERGSTIK® II HEADER		
					.XXXX±.0020/.XXX±.051				100/2.54cc SR STRAIGHT		
				angles	0°±2'			 INCH/MM	product family		code
				dr	T.BREWBAKER	01/05/95	BERGSTIK		213		
				enr	T.HANNA	01/05/95	size		dwg no		
				chr	T.HANNA	01/05/95	scale		sheet		
				appd	T.HANNA	01/05/95	1:1		6 of 8		
sheet index	revision sheet										

Tous droits strictement reserves. Reproduction ou communication a des tiers interdite sous quelque forme que ce soit sans autorisation ecrite du proprietaire. Propriete de c FCI. Droits de reproduction FCI.

All rights strictly reserved. Reproduction or issue to third parties in any form whatever is not permitted without written authority from the proprietor. Property of FCI. Copyright FCI.

PRODUCT NUMBER	TOTAL PIN LGTH		TAIL LENGTH		MATING LENGTH		PACKAGING	NOTES	BERGSTRIPTM	LF OPTION
	DIM F	DIM F	DIM G	DIM G	DIM H	DIM H			AVAILABLE	
	ENGLISH	METRIC	ENGLISH	METRIC	ENGLISH	METRIC				
84918-YYYH	0.340	8.64	0.120	3.05	0.120	3.05	POLY BAGS	-	YES	NOTE 1,12
84921-YYYH	0.370	9.40	0.150	3.81	0.120	3.05	POLY BAGS	-	YES	
86506-XY	0.440	11.18	0.120	3.05	0.220	5.59	POLY BAGS	-	YES	
86579-XY	0.450	11.43	0.120	3.05	0.230	5.84	POLY BAGS	NOTE 9	NO	
86634-XY		NOT	AVAILABLE					-	-	
86635-XY		NOT	AVAILABLE					-	-	
86636-XY		NOT	AVAILABLE					-	-	
86637-XY		NOT	AVAILABLE					-	-	
86638-XY		NOT	AVAILABLE					-	-	
86793-XY	0.900	22.86	0.100	2.54	0.700	17.78	POLY BAGS	NOTE 10	NO	
86899-XY	1.020	25.91	0.120	3.05	0.800	20.32	POLY BAGS	-	NO	
87185-XY	1.238	31.45	0.095	2.41	1.043	26.49	POLY BAGS	NOTE 10	NO	
87204-XY	0.895	22.73	0.120	3.05	0.675	17.15	POLY BAGS	-	NO	
87241-XY	1.000	25.40	0.120	3.05	0.780	19.81	POLY BAGS	-	NO	
87502-YYYH	1.130	28.70	0.110	2.79	0.920	23.37	POLY BAGS	-	NO	
87827-XY	0.380	9.65	0.120	3.05	0.160	4.06	POLY BAGS	-	NO	
87916-XY	1.058	26.87	0.128	3.25	0.830	21.08	POLY BAGS	-	NO	
88005-XY	0.536	13.61	0.095	2.41	0.341	8.66	POLY BAGS	NOTE 10	NO	
88706-XY	0.900	22.86	0.100	2.54	0.700	17.78	POLY BAGS	-	NO	
89232-XY	0.325	8.26	0.000	0.00	0.230	5.84	POLY BAGS	NOTE 7	NO	NOTE 1,12

mat'l. code NOTES 2 & 3				tolerances unless otherwise specified				CUSTOMER COPY		 www.fciconnect.com	
ltr	ecn no	dr	date	linear	.XX±.01/.X±.3			projection 	title BERGSTIK® II HEADER		
CJ					.XXX±.005/.XX±.13				100/2.54cc SR STRAIGHT		
					.XXXX±.0020/.XXX±.051				product family BERGSTIK		
				angles	0°±2'			INCH/MM 	code 213		
				dr	T.BREWBAKER	01/05/95	size A		sheet 7 of 8		
				enr	T.HANNA	01/05/95	scale 1:1				
				chr	T.HANNA	01/05/95					
				appd	T.HANNA	01/05/95					
sheet index	revision sheet										

Tous droits strictement reserves. Reproduction ou communication a des tiers interdite sous quelque forme que ce soit sans autorisation ecrite du proprietaire. Propriete de c FCI. Droits de reproduction FCI.

**A**  
**FCI**

All rights strictly reserved. Reproduction or issue to third parties in any form whatever is not permitted without written authority from the proprietor. Property of FCI. Copyright FCI.

**A**

**B**

1 | 2

3 |

4

PRODUCT NUMBER	TOTAL PIN LGTH		TAIL LENGTH		MATING LENGTH		PACKAGING	NOTES	BERGSTRIPTM	LF OPTION
	DIM F	DIM F	DIM G	DIM G	DIM H	DIM H			AVAILABLE	
	ENGLISH	METRIC	ENGLISH	METRIC	ENGLISH	METRIC				
90522-XXY	0.668	16.97	0.135	3.43	0.433	11.00	POLY BAGS	NOTE 10	NO	NOTE 1,12
90547-XXY	0.508	12.90	0.095	2.41	0.313	7.95	POLY BAGS	NOTE 10	NO	
90719-XXY	0.384	9.75	0.106	2.69	0.178	4.52	POLY BAGS	-	NO	
90726-XXY	0.440	11.18	0.110	2.79	0.230	5.84	POLY BAGS	-	YES	
91276-XXY	1.225	31.12	0.225	5.72	0.900	22.86	POLY BAGS	-	NO	
92020-XXY	0.372	9.45	0.094	2.39	0.178	4.52	POLY BAGS	-	NO	
92418-XXY	0.572	14.53	0.118	3.00	0.354	8.99	POLY BAGS	-	NO	
93167-XXY	0.394	10.01	0.059	1.50	0.235	5.97	POLY BAGS	-	NO	
93287-XXYH	0.585	14.86	0.085	2.16	0.400	10.16	POLY BAGS	-	NO	
93944-XXY	0.941	23.90	0.130	3.30	0.711	18.06	POLY BAGS	-	NO	
93992-XXYH	0.415	10.54	0.085	2.16	0.230	5.84	POLY BAGS	-	NO	
94063-XXY	0.376	9.55	0.138	3.51	0.138	3.51	POLY BAGS	NOTE 10	NO	
94094-XXY	0.592	15.04	0.314	7.98	0.178	4.52	POLY BAGS	-	NO	
94544-XXY	0.550	13.97	0.130	3.30	0.330	8.38	POLY BAGS	NOTE 10	NO	
94611-XXYH	0.320	8.13	0.095	2.41	0.125	3.18	POLY BAGS	-	NO	
95017-XXYH	0.560	14.22	0.060	1.52	0.400	10.16	POLY BAGS	-	NO	
95103-XXY	1.064	27.03	0.433	11.00	0.531	13.49	POLY BAGS	NOTE 10	NO	
95104-XXY	0.370	9.40	0.126	3.20	0.144	3.66	POLY BAGS	NOTE 10	NO	
95648-XXYH	0.655	16.64	0.155	3.94	0.400	10.16	POLY BAGS	-	NO	
95655-XXY	1.164	29.57	0.095	2.41	0.969	24.61	POLY BAGS	NOTE 10	NO	
98001-XXYH	0.610	15.49	0.420	10.67	0.090	2.29	POLY BAGS	-	NO	
98136-XXYH	0.475	12.07	0.095	2.41	0.280	7.11	POLY BAGS	-	NO	
10004394-XXYH	0.290	7.37	0.095	2.41	0.095	2.41	POLY BAGS	-	NO	

**A**

mat'l. code NOTES 2 & 3				tolerances unless otherwise specified				CUSTOMER COPY		<b>A</b> <b>FCI</b> www.fciconnect.com	
ltr	ecn no	dr	date	linear	.xx±.01/.xx±.3			projection 	title		
CJ					.xxx±.005/.xx±.13				BERGSTIK® II HEADER		
					.xxx±.0020/.xxx±.051				100/2.54cc SR STRAIGHT		
				angles	0°±2'			INCH/MM scale 1:1	product family		code
				dr	T.BREWBAKER	01/05/95	BERGSTIK		213		
				enr	T.HANNA	01/05/95	size  dwg no		sheet		
				chr	T.HANNA	01/05/95	A		8 of 8		
				appd	T.HANNA	01/05/95	68000				
sheet index	revision sheet										

**B**

1 | 2

3 |

4

ACAD

**PDM: Rev:CJ**

STATUS: **Released**

cage code  
**22526**

Printed: May 11, 2005