

# 2.54mm (0.1") Pin Header

(Dual Body, Straight)

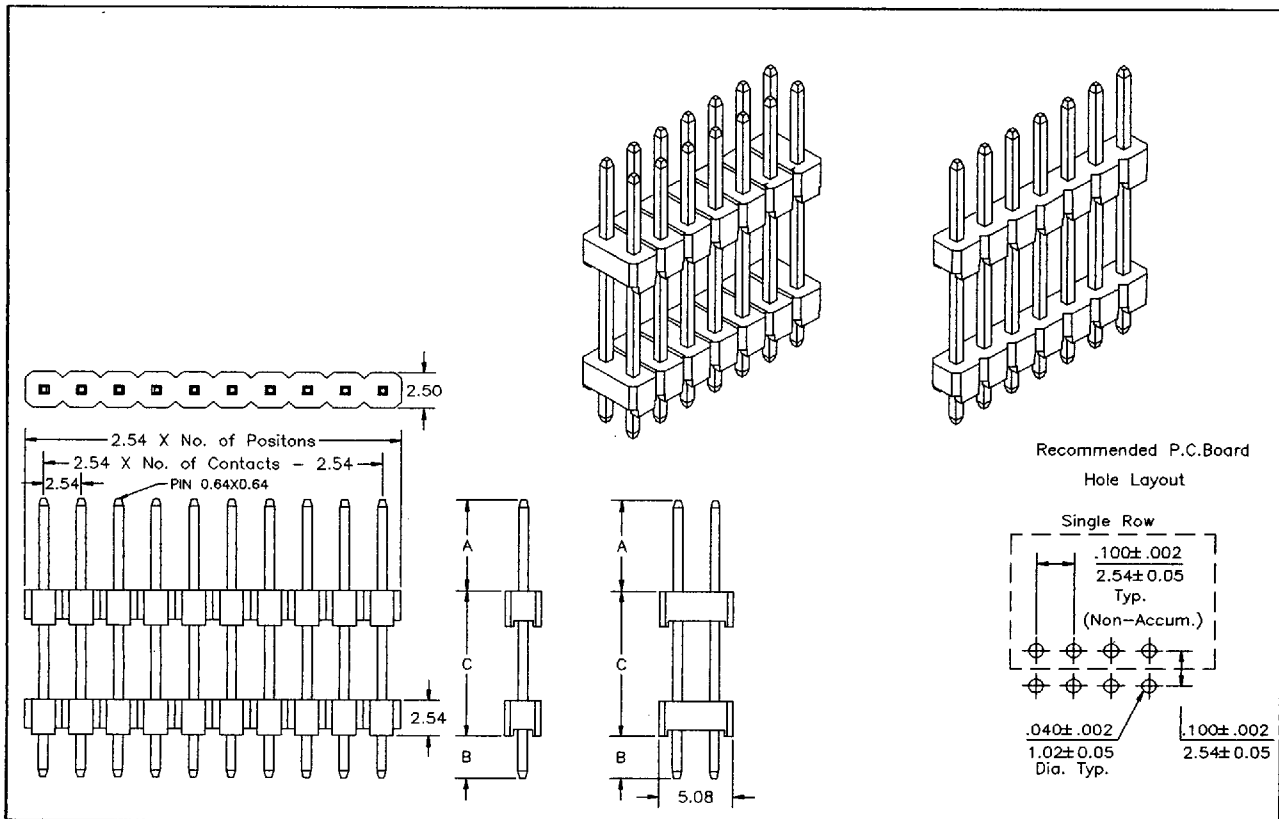
2204X Series

## APPLICATION AND FEATURES

1. Side and end stackable (on unbroken edges).
2. Notches for easy breakable.
3. Maintains the dimension between two P.C.Board.
4. Provides a means of electronically connecting two discrete boards.
5. Variable pin length, gold or tin plated.
6. Standoffs facilitate post soldering clean.
7. Single row 02 to 40 contacts.  
Dual row 04 to 80 contacts.

## SPECIFICATIONS

Current Rating: 3 Amps  
 Insulator resistance: 5000 Megohms Min.  
 Dielectric withstanding: AC 500 V  
 Operating Temperature: -40°C to +105°C  
 Contact Material: Brass or Phosphor bronze  
 Insulator Material: Polyester, UL 94V-0



## Order Information 2204 Series

Example: 2204D-34-S-02-A/C/B

Series No.	Number of Contacts	Connector Type	Contact Plating	Pin Length mm
2204D	02 to 80 Contacts	Straight S	Tin Plated 01	A C B
2204 S (Single Row)	02 to 40 Contacts		Gold Plated	6.0 10.4 3.0
2204 D (Dual Row)	04 to 80 Contacts		Flash 02	
			10 μ" 10	
			30 μ" 30	

SINGATRON ENT. CO., LTD. Tel.: (909) 464-1883 Fax.: (909) 464-1884

9011184 0000064 T00