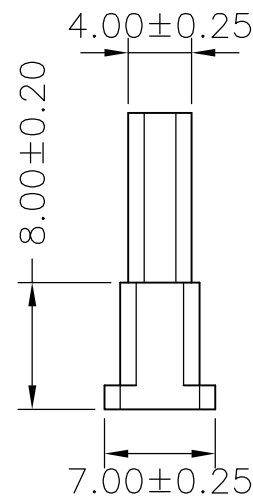
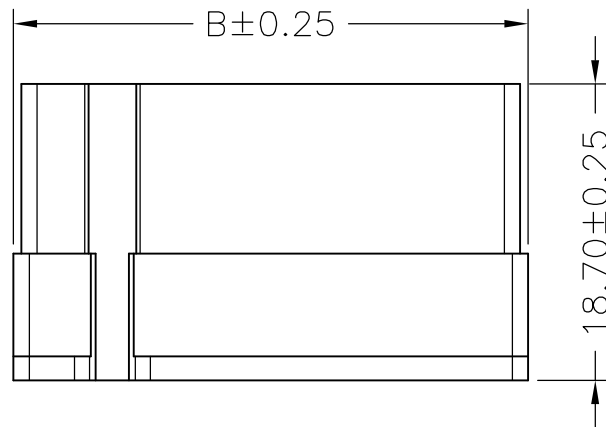


Ordering code

A7500 H-XP XXX			
①	②	③	④
① Series No.			
② Connector type: H=Housing			
③ No. of circuits			
④ Option code:			
Blank=Color: White			
-BK=Color: Black			


7.50±0.10 5.00±0.10
A±0.20



SPECIFICATIONS

Current Rating: 7A AC,DC
Voltage Rating: 250V AC,DC
Temperature Range: -25°C ~ +85°C
Contact Resistance: 10mΩ Max.
Insulation Resistance: 1000MΩ Min.
Withstanding Voltage: 1500V AC/minute
Material: Nylon 66,UL94V-0
Color: White or Black

Circuit No.	Dimensions	
	A	B
01P	---	6.30
02P	7.50	12.50
03P	12.50	17.50
04P	17.50	22.50
05P	22.50	27.50
06P	27.50	32.50

					燦達電子工業股份有限公司 JOINT TECH ELECTRONIC IND. CO., LTD.				
UNIT	SCALE	SHEET	TITLE:						
mm		1 of 1	7.50-5.00mm PITCH HOUSING						
DRAWN BY	APPROVED BY						DRAW NO.:		REV.
董正一	董正一						A7500H-XP		B3
B3 EN1001040004	2010.01.04	2001.02.01							
B2 REVISE	2009.03.06	GENERAL TOLERANCE							
B1 REVISE	2006.06.09	ANGLE±							
B0 NEW RELEASE	2005.12.07	X.X±0.25							
REV.	DESCRIPTION	DATE	X.XX±0.15						
			X.XXX±0.05						