



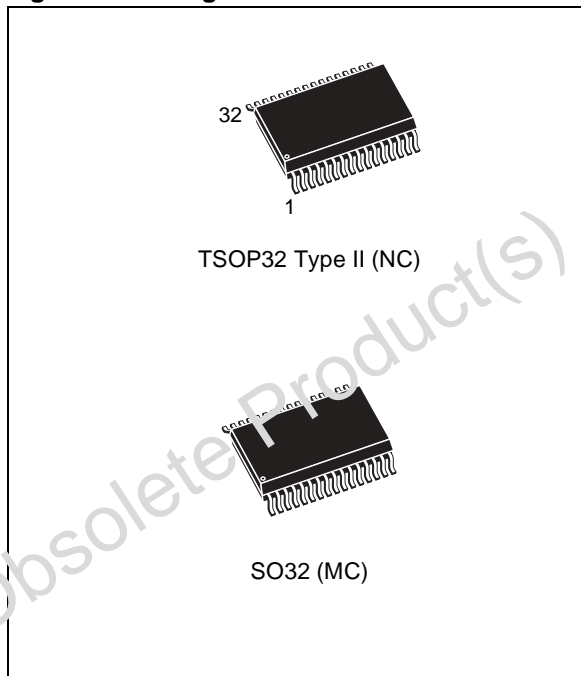
# M68AF511A

## 4 Mbit (512K x8), 5V Asynchronous SRAM

### FEATURES SUMMARY

- SUPPLY VOLTAGE: 4.5 to 5.5V
- 512K x 8 bits SRAM with OUTPUT ENABLE
- EQUAL CYCLE and ACCESS TIMES: 55ns
- LOW STANDBY CURRENT
- LOW V<sub>CC</sub> DATA RETENTION: 2V
- TRI-STATE COMMON I/O
- LOW ACTIVE and STANDBY POWER

Figure 1. Packages



## TABLE OF CONTENTS

<b>FEATURES SUMMARY</b> .....	<b>1</b>
Figure 1. Packages .....	1
<b>SUMMARY DESCRIPTION</b> .....	<b>4</b>
Figure 2. Logic Diagram .....	4
Figure 3. TSOP and SO Connections .....	5
Figure 4. Block Diagram .....	6
<b>OPERATION</b> .....	<b>7</b>
<b>Read Mode</b> .....	<b>7</b>
<b>Write Mode</b> .....	<b>7</b>
Table 2. Operating Modes .....	7
<b>MAXIMUM RATING</b> .....	<b>8</b>
Table 3. Absolute Maximum Ratings .....	8
<b>DC AND AC PARAMETERS</b> .....	<b>9</b>
Table 4. Operating and AC Measurement Conditions .....	9
Figure 5. AC Measurement I/O Waveform .....	9
Figure 6. AC Measurement Load Circuit .....	9
Table 5. Capacitance .....	10
Table 6. DC Characteristics .....	10
Figure 7. Address Controlled, Read Mode AC Waveforms .....	11
Figure 8. Chip Enable or Output Enable Controlled, Read Mode AC Waveforms .....	11
Figure 9. Chip Enable Controlled, Standby Mode AC Waveforms .....	12
Table 7. Read and Standby Mode AC Characteristics .....	13
Figure 10. Write Enable Controlled, Write AC Waveforms .....	14
Figure 11. Chip Enable Controlled, Write AC Waveforms .....	14
Table 8. Write Mode AC Characteristics .....	15
Figure 12. Low $V_{CC}$ Data Retention AC Waveforms .....	16
Table 9. Low $V_{CC}$ Data Retention Characteristics .....	16
<b>PACKAGE MECHANICAL</b> .....	<b>17</b>
Figure 13. TSOP 32 Type II - 32 lead Plastic Thin Small Outline Type II, Package Outline .....	17
Table 10. TSOP 32 Type II - 32 lead Plastic Thin Small Outline Type II, Package Mechanical Data .....	17
Figure 14. SO32 - 32 lead Plastic Small Outline, Package Outline .....	18
Table 11. SO32 - 32 lead Plastic Small Outline, Package Mechanical Data .....	18
<b>PART NUMBERING</b> .....	<b>19</b>
Table 12. Ordering Information Scheme .....	19

---

**REVISION HISTORY** ..... 20  
Table 13.Document Revision History ..... 20

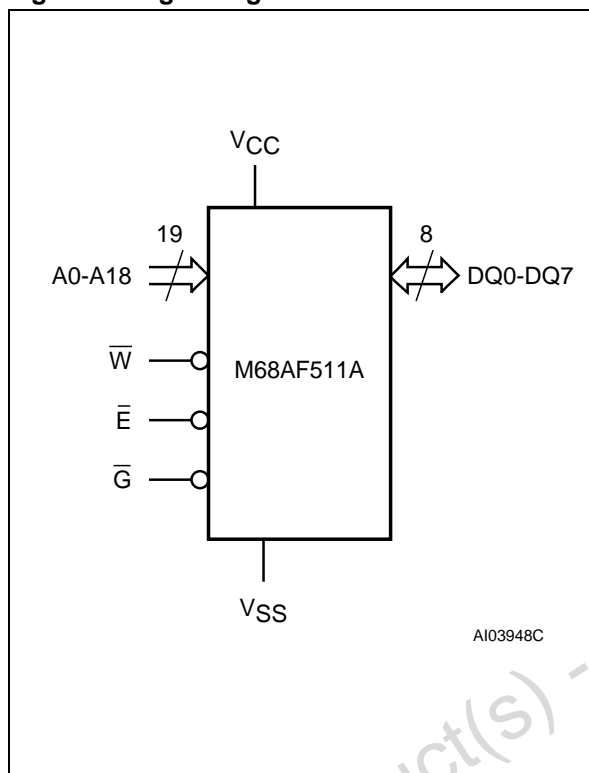
Obsolete Product(s) - Obsolete Product(s)

**SUMMARY DESCRIPTION**

The M68AF511A is a 4 Mbit (4,194,304 bit) CMOS SRAM, organized as 524,288 words by 8 bits. The device features fully static operation requiring no external clocks or timing strobes, with equal address access and cycle times. It requires a single 4.5 to 5.5V supply.

This device has an automatic power-down feature, reducing the power consumption by over 99% when deselected. The M68AF511A is available in a 32 lead TSOP Type II and 32 lead SO packages.

**Figure 2. Logic Diagram**



**Table 1. Signal Names**

A0-A18	Address Inputs
DQ0-DQ7	Data Input/Output
$\bar{E}$	Chip Enable
$\bar{G}$	Output Enable
$\bar{W}$	Write Enable
V <sub>CC</sub>	Supply Voltage
V <sub>SS</sub>	Ground

Figure 3. TSOP and SO Connections

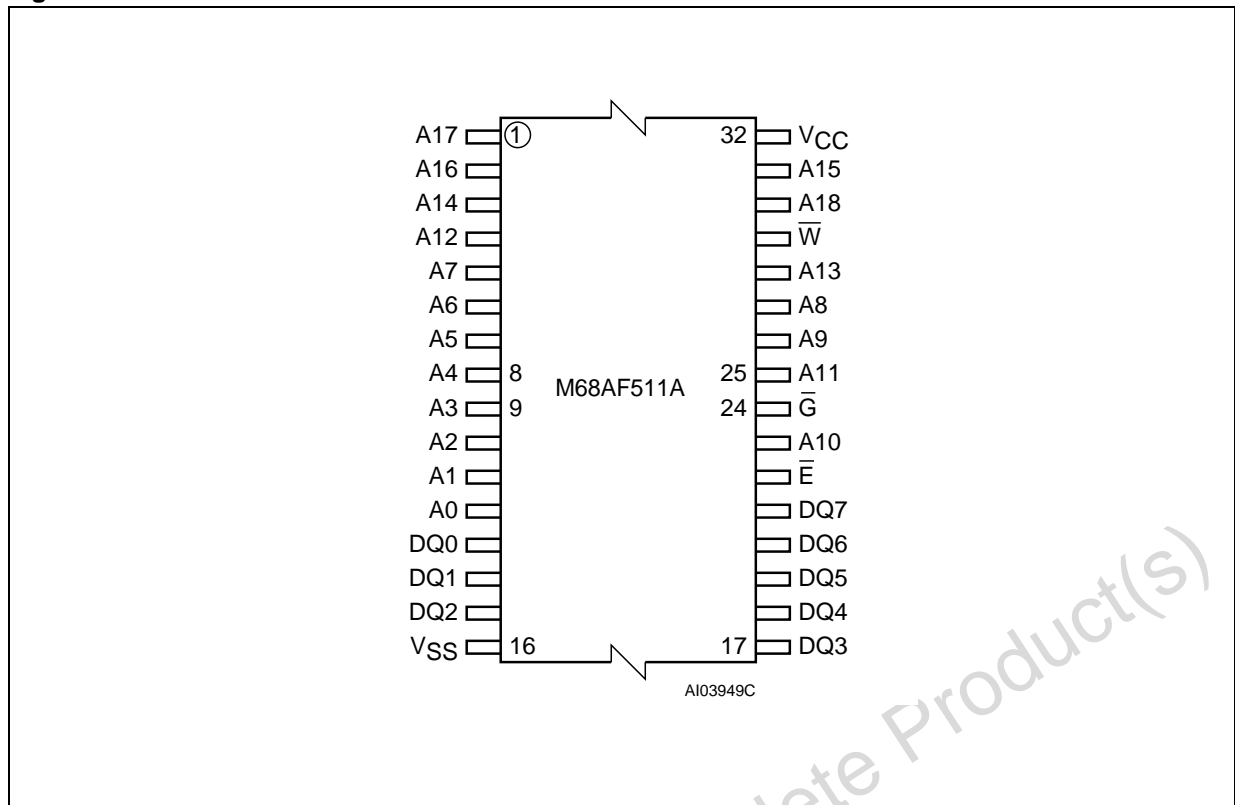
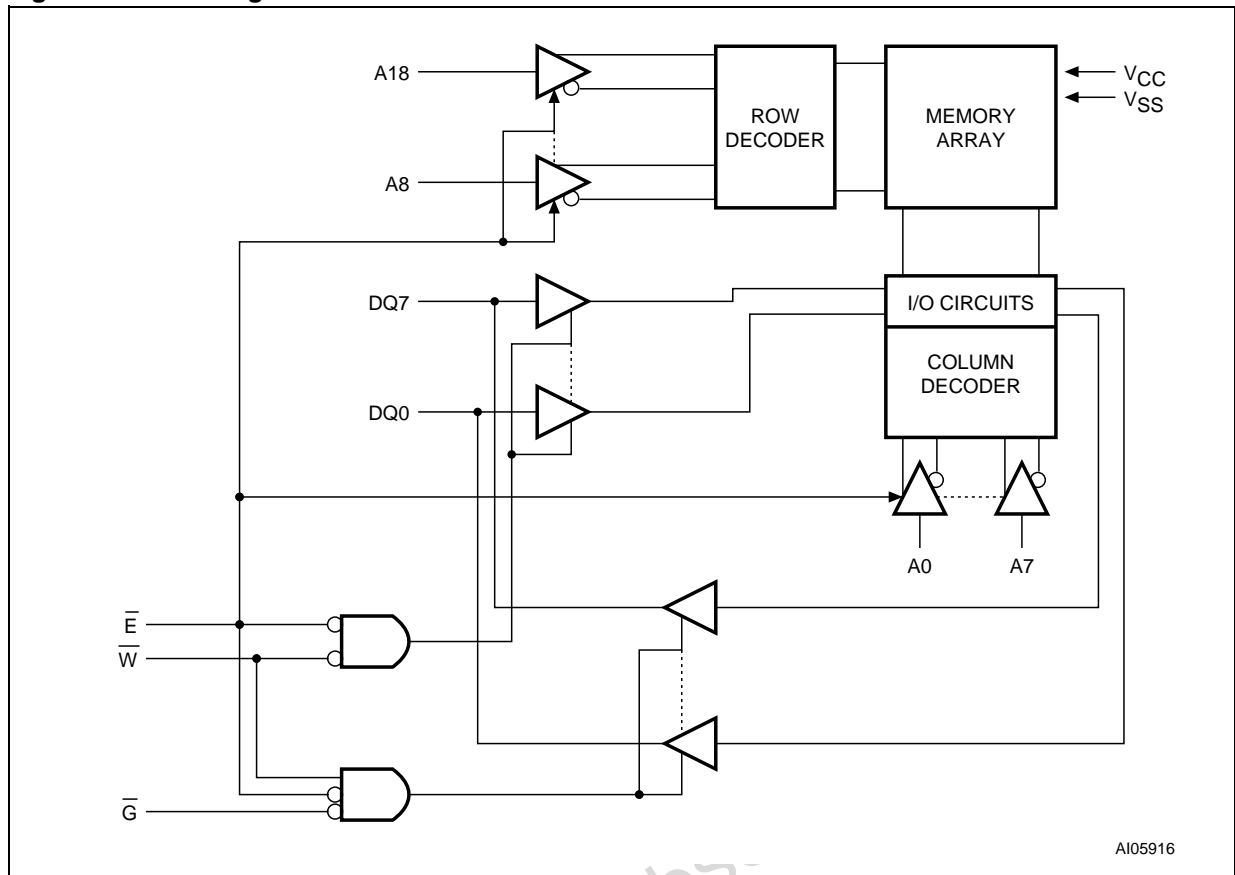


Figure 4. Block Diagram



Obsolete Product(s) - Obs-

## OPERATION

The M68AF511A has a Chip Enable power down feature which invokes an automatic standby mode whenever Chip Enable is de-asserted ( $\bar{E} = \text{High}$ ). An Output Enable ( $\bar{G}$ ) signal provides a high speed tri-state control, allowing fast read/write cy-

cles to be achieved with the common I/O data bus. Operational modes are determined by device control inputs  $\bar{W}$  and  $\bar{E}$  as summarized in the Operating Modes table (Table 2).

### Read Mode

The M68AF511A is in the Read mode whenever Write Enable ( $\bar{W}$ ) is High with Output Enable ( $\bar{G}$ ) Low, and Chip Enable ( $\bar{E}$ ) is asserted. This provides access to data from eight of the 4,194,304 locations in the static memory array, specified by the 19 address inputs. Valid data will be available at the eight output pins within  $t_{AVQV}$  after the last

stable address, providing  $\bar{G}$  is Low and  $\bar{E}$  is Low. If Chip Enable or Output Enable access times are not met, data access will be measured from the limiting parameter ( $t_{ELQV}$  or  $t_{GLQV}$ ) rather than the address. Data out may be indeterminate at  $t_{ELQX}$  and  $t_{GLQX}$ , but data lines will always be valid at  $t_{AVQV}$ .

### Write Mode

The M68AF511A is in the Write mode whenever the  $\bar{W}$  and  $\bar{E}$  pins are Low. Either the Chip Enable input ( $\bar{E}$ ) or the Write Enable input ( $\bar{W}$ ) must be de-asserted during Address transitions for subsequent write cycles. Write begins with the concurrence of Chip Enable being active with  $\bar{W}$  low. Therefore, address setup time is referenced to Write Enable and Chip Enable as  $t_{AVWL}$  and  $t_{AVEH}$  respectively, and is determined by the latter occurring edge.

The Write cycle can be terminated by the earlier rising edge of  $\bar{E}$ , or  $\bar{W}$ . If the Output is enabled ( $\bar{E} = \text{Low}$  and  $\bar{G} = \text{Low}$ ), then  $\bar{W}$  will return the outputs to high impedance within  $t_{WLQZ}$  of its falling edge. Care must be taken to avoid bus contention in this type of operation. Data input must be valid for  $t_{DVWH}$  before the rising edge of Write Enable, or for  $t_{DVEH}$  before the rising edge of  $\bar{E}$ , whichever occurs first, and remain valid for  $t_{WHDX}$  or  $t_{EHDX}$ .

**Table 2. Operating Modes**

Operation	$\bar{E}$	$\bar{W}$	$\bar{G}$	DQ0-DQ7	Power
Output disabled	$V_{IL}$	X	$V_{IH}$	Hi-Z	Active ( $I_{CC}$ )
Read	$V_{IL}$	$V_{IH}$	$V_{IL}$	Data Output	Active ( $I_{CC}$ )
Write	$V_{IL}$	$V_{IL}$	X	Data Input	Active ( $I_{CC}$ )
Deselect	$V_{IH}$	X	X	Hi-Z	Standby ( $I_{SB}$ )

Note: X =  $V_{IH}$  or  $V_{IL}$ .

## MAXIMUM RATING

Stressing the device above the rating listed in the Absolute Maximum Ratings table may cause permanent damage to the device. These are stress ratings only and operation of the device at these or any other conditions above those indicated in the Operating sections of this specification is not im-

plied. Exposure to Absolute Maximum Rating conditions for periods greater than 1 sec may affect device reliability. Refer also to the STMicroelectronics SURE Program and other relevant quality documents.

**Table 3. Absolute Maximum Ratings**

Symbol	Parameter	Value	Unit
$I_O^{(1)}$	Output Current	20	mA
$T_A$	Ambient Operating Temperature	-55 to 125	°C
$T_{STG}$	Storage Temperature	-65 to 150	°C
$V_{CC}$	Supply Voltage	-0.5 to 6.5	V
$V_{IO}^{(2)}$	Input or Output Voltage	-0.5 to $V_{CC} + 0.5$	V
$P_D$	Power Dissipation	1	W

Note: 1. One output at a time, not to exceed 1 second duration.  
2. Up to a maximum operating  $V_{CC}$  of 6.0V only.



## DC AND AC PARAMETERS

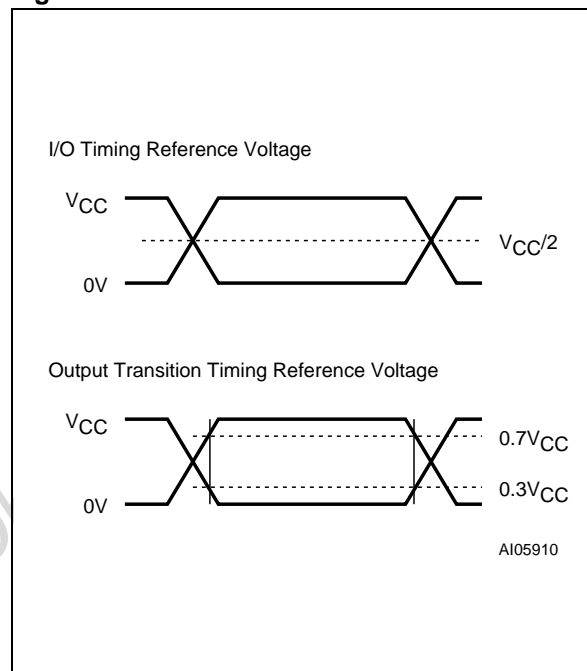
This section summarizes the operating and measurement conditions, as well as the DC and AC characteristics of the device. The parameters in the following DC and AC Characteristic tables are derived from tests performed under the Measure-

ment Conditions listed in the relevant tables. Designers should check that the operating conditions in their projects match the measurement conditions when using the quoted parameters.

**Table 4. Operating and AC Measurement Conditions**

Parameter		M68AF511A
V <sub>CC</sub> Supply Voltage		4.5 to 5.5V
Ambient Operating Temperature	Range 1: Commercial	0 to 70°C
	Range 6: Industrial	-40 to 85°C
Load Capacitance (C <sub>L</sub> )		100pF
Output Circuit Protection Resistance (R <sub>1</sub> )		3.0kΩ
Load Resistance (R <sub>2</sub> )		3.1kΩ
Input Rise and Fall Times		1ns/V
Input Pulse Voltages		0 to V <sub>CC</sub>
Input and Output Timing Ref. Voltages		V <sub>CC</sub> /2
Output Transition Timing Ref. Voltages		V <sub>RL</sub> = 0.3V <sub>CC</sub> ; V <sub>RH</sub> = 0.7V <sub>CC</sub>

**Figure 5. AC Measurement I/O Waveform**



**Figure 6. AC Measurement Load Circuit**

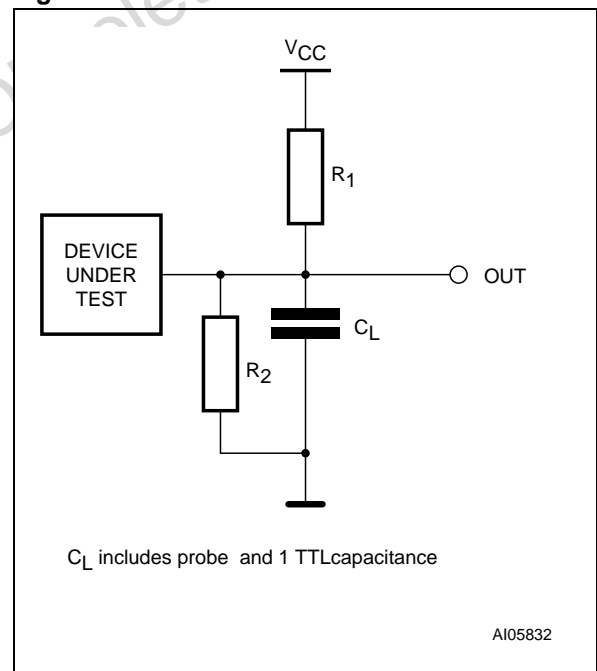


Table 5. Capacitance

Symbol	Parameter (1,2)	Test Condition	Min	Max	Unit
$C_{IN}$	Input Capacitance on all pins (except DQ)	$V_{IN} = 0V$		6	pF
$C_{OUT}$	Output Capacitance	$V_{OUT} = 0V$		8	pF

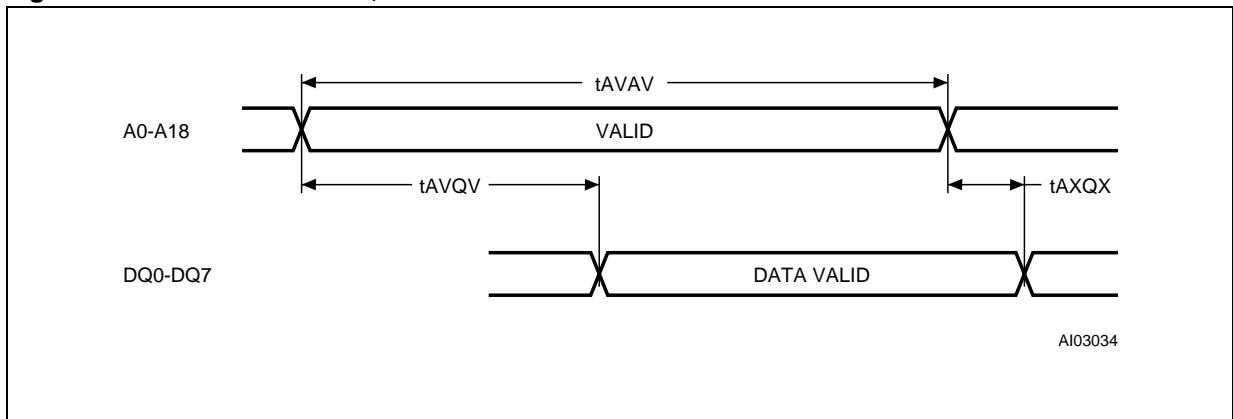
Note: 1. Sampled only, not 100% tested.  
2. At  $T_A = 25^\circ C$ ,  $f = 1MHz$ ,  $V_{CC} = 5.0V$ .

Table 6. DC Characteristics

Symbol	Parameter	Test Condition	Min	Typ	Max	Unit
$I_{CC1}$ (1,2)	Operating Supply Current	$V_{CC} = 5.5V$ , $f = 1/t_{AVAV}$ , $I_{OUT} = 0mA$			55	mA
$I_{CC2}$ (3)	Operating Supply Current	$V_{CC} = 5.5V$ , $f = 1MHz$ , $I_{OUT} = 0mA$			5	mA
$I_{LI}$	Input Leakage Current	$0V \leq V_{IN} \leq V_{CC}$	-1		1	$\mu A$
$I_{LO}$ (4)	Output Leakage Current	$0V \leq V_{OUT} \leq V_{CC}$	-1		1	$\mu A$
$I_{SB}$	Standby Supply Current CMOS	$V_{CC} = 5.5V$ , $\bar{E} \geq V_{CC} - 0.2V$ , $f = 0$		5	10	$\mu A$
$V_{IH}$	Input High Voltage		2.2		$V_{CC} + 0.3$	V
$V_{IL}$	Input Low Voltage		-0.3		0.8	V
$V_{OH}$	Output High Voltage	$I_{OH} = -1.0mA$	2.4			V
$V_{OL}$	Output Low Voltage	$I_{OL} = 2.1mA$			0.4	V

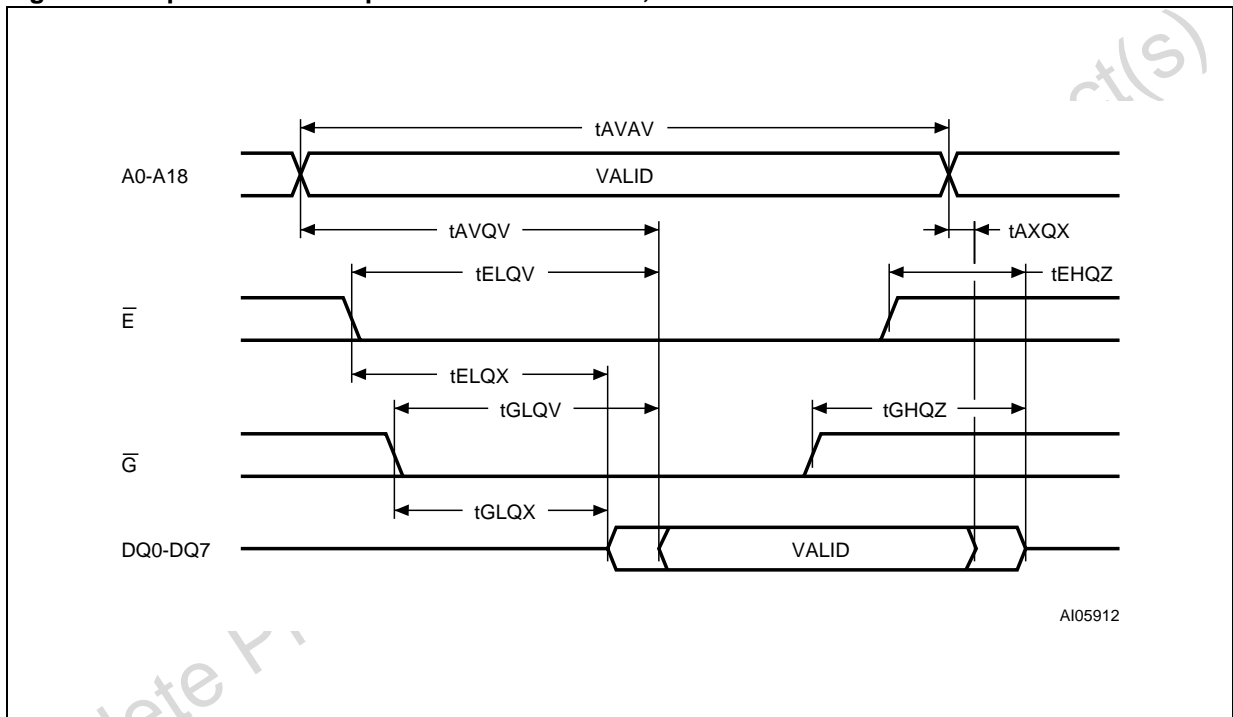
Note: 1. Average AC current, cycling at  $t_{AVAV}$  minimum.  
2.  $\bar{E} = V_{IL}$ ,  $V_{IN} = V_{IH}$  or  $V_{IL}$ .  
3.  $\bar{E} \leq 0.2V$ ,  $V_{IN} \leq 0.2V$  or  $V_{IN} \geq V_{CC} - 0.2V$ .  
4. Output disable.

Figure 7. Address Controlled, Read Mode AC Waveforms



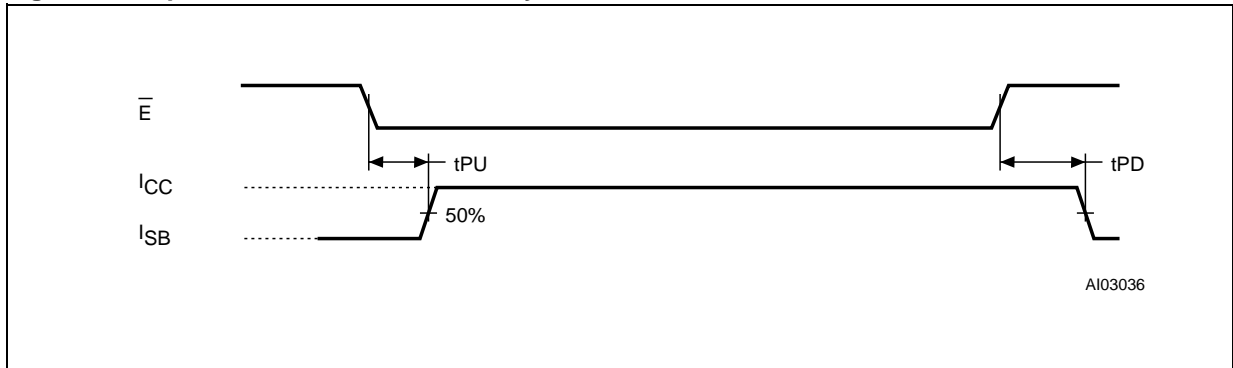
Note:  $\bar{E}$  = Low,  $\bar{G}$  = Low,  $\bar{W}$  = High.

Figure 8. Chip Enable or Output Enable Controlled, Read Mode AC Waveforms



Note: Write Enable ( $\bar{W}$ ) = High.

Figure 9. Chip Enable Controlled, Standby Mode AC Waveforms



Obsolete Product(s) - Obsolete Product(s)

Table 7. Read and Standby Mode AC Characteristics

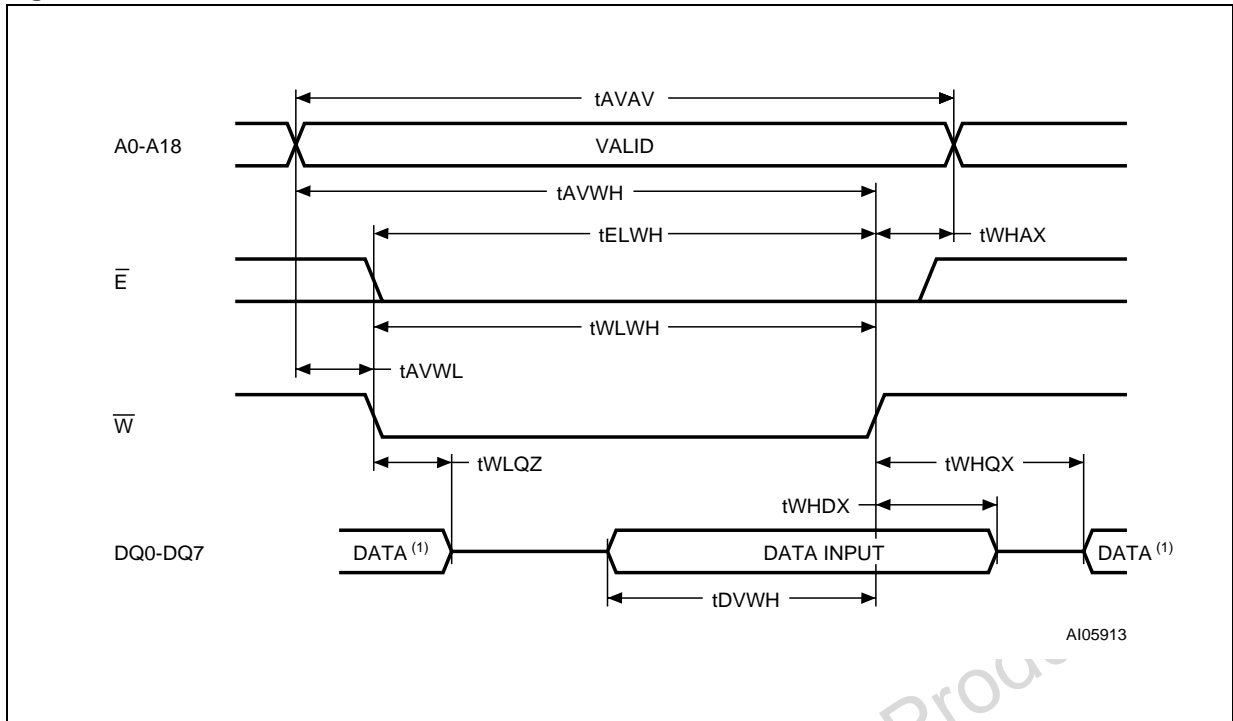
Symbol	Parameter	M68AF511A			Unit
			55	70	
$t_{AVAV}$	Read Cycle Time	Min	55	70	ns
$t_{AVQV}$	Address Valid to Output Valid	Max	55	70	ns
$t_{AXQX}^{(1)}$	Data hold from Address change	Min	5	5	ns
$t_{EHQZ}^{(2,3)}$	Chip Enable High to Output Hi-Z	Max	20	25	ns
$t_{ELQV}$	Chip Enable Low to Output Valid	Max	55	70	ns
$t_{ELQX}^{(1)}$	Chip Enable Low to Output Transition	Min	5	5	ns
$t_{GHQZ}^{(2,3)}$	Output Enable High to Output Hi-Z	Max	20	25	ns
$t_{GLQV}$	Output Enable Low to Output Valid	Max	25	35	ns
$t_{GLQX}^{(1)}$	Output Enable Low to Output Transition	Min	5	5	ns
$t_{PD}$	Chip Enable High to Power Down	Max	55	70	ns
$t_{PU}$	Chip Enable Low to Power Up	Min	0	0	ns

Note: 1. Test conditions assume transition timing reference level =  $0.3V_{CC}$  or  $0.7V_{CC}$ .

2. At any given temperature and voltage condition,  $t_{EHQZ}$  is less than  $t_{ELQX}$  and  $t_{GHQZ}$  is less than  $t_{GLQX}$  for any given device.

3. These parameters are defined as the time at which the outputs achieve the open circuit conditions and are not referenced to output voltage levels.

Figure 10. Write Enable Controlled, Write AC Waveforms



Note: 1. During this period DQ0-DQ7 are in output state and input signal should not be applied.

Figure 11. Chip Enable Controlled, Write AC Waveforms

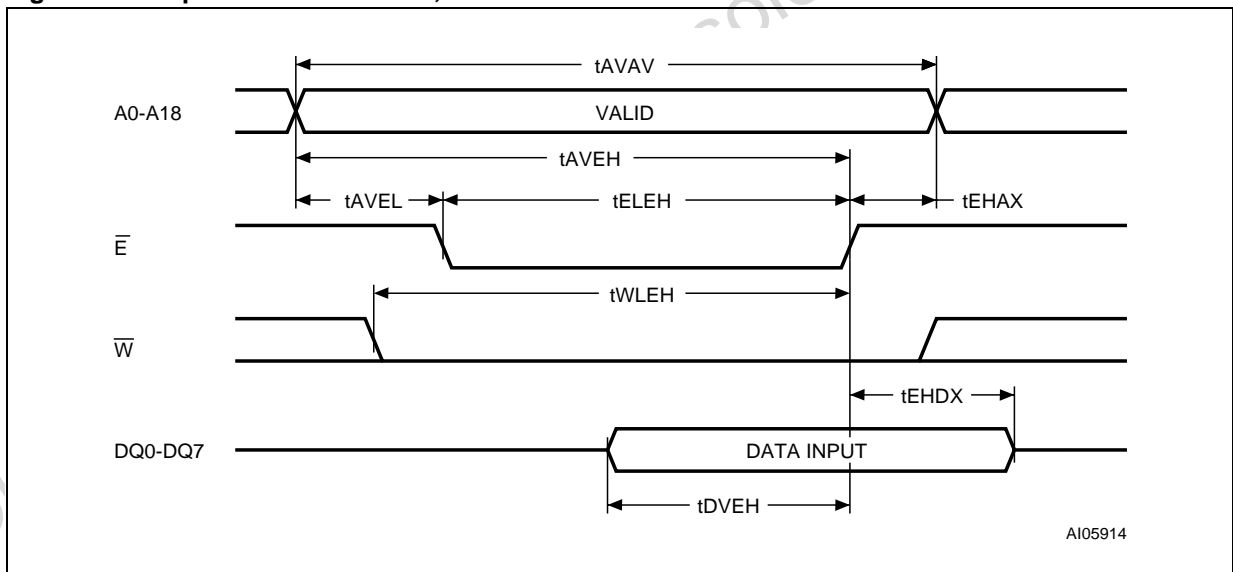


Table 8. Write Mode AC Characteristics

Symbol	Parameter	M68AF511A			Unit
			55	70	
t <sub>AVAV</sub>	Write Cycle Time	Min	55	70	ns
t <sub>AVEH</sub>	Address Valid to Chip Enable High	Min	45	60	ns
t <sub>AVEL</sub>	Address Valid to Chip Enable Low	Min	0	0	ns
t <sub>AVWH</sub>	Address Valid to Write Enable High	Min	45	60	ns
t <sub>AVWL</sub>	Address Valid to Write Enable Low	Min	0	0	ns
t <sub>DVEH</sub>	Input Valid to Chip Enable High	Min	25	30	ns
t <sub>DVWH</sub>	Input Valid to Write Enable High	Min	25	30	ns
t <sub>EHAX</sub>	Chip Enable High to Address Transition	Min	0	0	ns
t <sub>EHDX</sub>	Chip Enable High to Input Transition	Min	0	0	ns
t <sub>ELEH</sub>	Chip Enable Low to Chip Enable High	Min	45	60	ns
t <sub>ELWH</sub>	Chip Enable Low to Write Enable High	Min	45	60	ns
t <sub>WHAX</sub>	Write Enable High to Address Transition	Min	0	0	ns
t <sub>WHDX</sub>	Write Enable High to Input Transition	Min	0	0	ns
t <sub>WHQX</sub> <sup>(1)</sup>	Write Enable High to Output Transition	Min	5	5	ns
t <sub>WLEH</sub>	Write Enable Low to Chip Enable High	Min	45	60	ns
t <sub>WLQZ</sub> <sup>(1,2)</sup>	Write Enable Low to Output Hi-Z	Max	20	25	ns
t <sub>WLWH</sub>	Write Enable Low to Write Enable High	Min	45	60	ns

Note: 1. These parameters are defined as the time at which the outputs achieve the open circuit conditions and are not referenced to output voltage levels.

2. At any given temperature and voltage condition, t<sub>WLQZ</sub> is less than t<sub>WHQX</sub> for any given device.

Figure 12. Low V<sub>CC</sub> Data Retention AC Waveforms

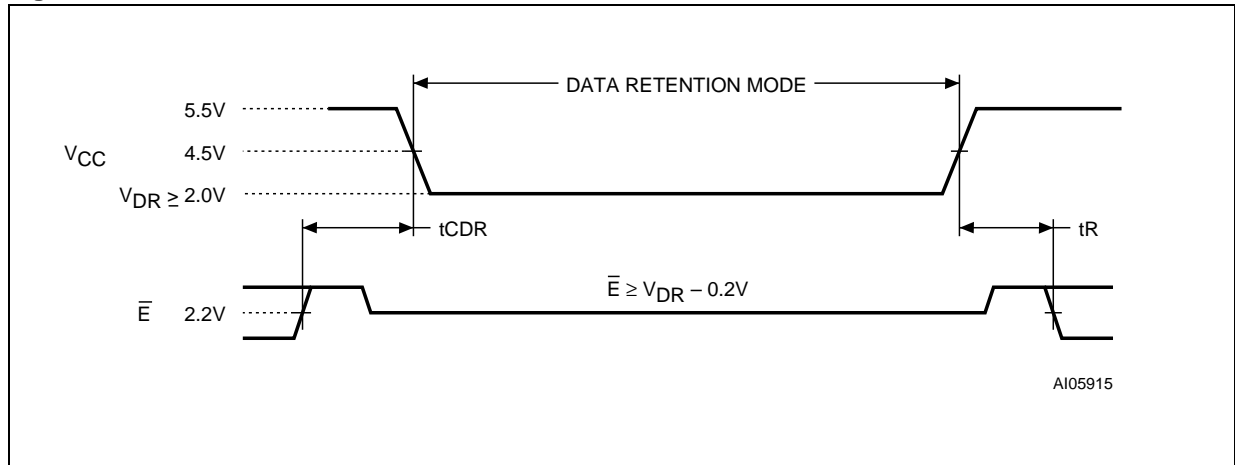


Table 9. Low V<sub>CC</sub> Data Retention Characteristics

Symbol	Parameter	Test Condition	Min	Typ	Max	Unit
I <sub>CCDR</sub> <sup>(1)</sup>	Supply Current (Data Retention)	V <sub>CC</sub> = 2V, $\bar{E} \geq V_{CC} - 0.2V$ , f = 0 <sup>(3)</sup>		4.5	9	μA
t <sub>CDR</sub> <sup>(1,2)</sup>	Chip Deselected to Data Retention Time		0			ns
t <sub>R</sub> <sup>(2)</sup>	Operation Recovery Time		t <sub>AVAV</sub>			ns
V <sub>DR</sub> <sup>(2)</sup>	Supply Voltage (Data Retention)	$\bar{E} \geq V_{CC} - 0.2V$ , f = 0	2			V

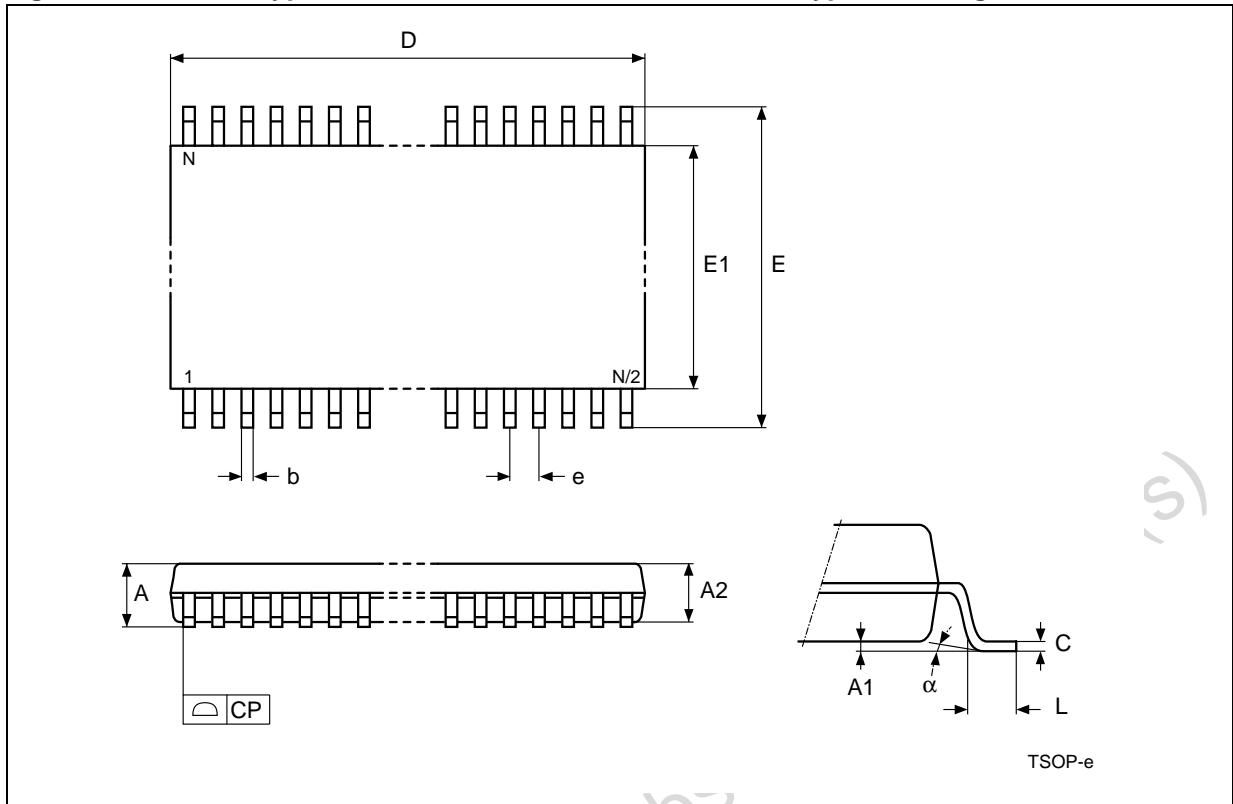
Note: 1. All other Inputs at V<sub>IH</sub> ≥ V<sub>CC</sub> - 0.2V or V<sub>IL</sub> ≤ 0.2V.

2. Tested initially and after any design or process that may affect these parameters. t<sub>AVAV</sub> is Read cycle time. No input may exceed V<sub>CC</sub> + 0.2V.



## PACKAGE MECHANICAL

Figure 13. TSOP 32 Type II - 32 lead Plastic Thin Small Outline Type II, Package Outline

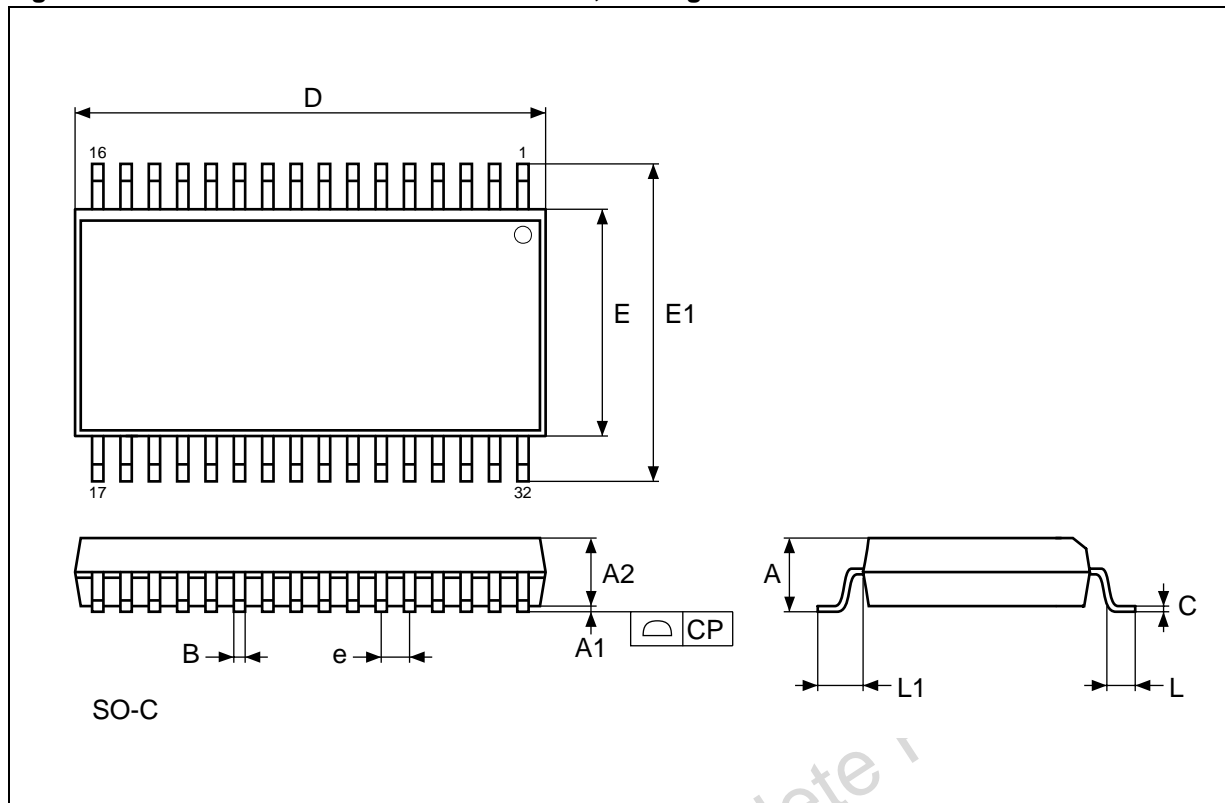


Note: Drawing is not to scale.

Table 10. TSOP 32 Type II - 32 lead Plastic Thin Small Outline Type II, Package Mechanical Data

Symbol	millimeters			inches		
	Typ	Min	Max	Typ	Min	Max
A			1.20			0.047
A1		0.05	0.15		0.002	0.006
A2		0.95	1.05		0.037	0.041
b		0.30	0.52		0.012	0.020
C		0.12	0.21		0.005	0.008
CP			0.10			0.004
D		20.82	21.08		0.820	0.830
e	1.27	–	–	0.050	–	–
E		11.56	11.96		0.455	0.471
E1		10.03	10.29		0.395	0.405
L		0.40	0.60		0.016	0.024
$\alpha$		0°	5°		0°	5°
N		32			32	

Figure 14. SO32 - 32 lead Plastic Small Outline, Package Outline



Note: Drawing is not to scale.

Table 11. SO32 - 32 lead Plastic Small Outline, Package Mechanical Data

Symbol	millimeters			inches		
	Typ	Min	Max	Typ	Min	Max
A			3.00			0.118
A1		0.10			0.004	
A2		2.57	2.82		0.101	0.111
B		0.36	0.51		0.014	0.020
C		0.15	0.30		0.006	0.012
D		20.14	20.75		0.793	0.817
E		11.18	11.43		0.440	0.450
E1		13.87	14.38		0.546	0.566
e	1.27	-	-	0.050	-	-
L		0.58	0.99		0.023	0.039
L1		1.19	1.60		0.047	0.063
CP			0.10			0.004

## PART NUMBERING

Table 12. Ordering Information Scheme

Example:	M68AF511	A	L	55	NC1	T
<b>Device Type</b> M68						
<b>Mode</b> A = Asynchronous						
<b>Operating Voltage</b> F = 4.5 to 5.5V						
<b>Array Organization</b> 511 = 4 Mbit (512K x8)						
<b>Option 1</b> A = 1 Chip Enable						
<b>Option 2</b> L = L-Die M = M-Die						
<b>Speed Class</b> 55 = 55ns 70 = 70ns						
<b>Package</b> NC = TSOP32 Type II MC = SO32						
<b>Operative Temperature</b> 1 = 0 to 70°C 6 = -40 to 85°C						
<b>Shipping</b> T = Tape & Reel Packing						

For a list of available options (Speed, Package, etc....) or for further information on any aspect of this device, please contact the STMicroelectronics Sales Office nearest to you.

## REVISION HISTORY

Table 13. Document Revision History

Date	Version	Revision Details
July 2001	-01	First Issue
08-Aug-2001	-02	SO32 Package added 55ns Speed class introduced Industrial Temperature Range added (Range 6)
27-Sep-2001	-03	Typing error, Table 5, Note 2
18-Oct-2001	-04	SO32 Package Mechanical and Data added
29-Nov-2001	-05	Note Removed from Ordering Information Scheme
08-Jan-2002	-06	PDIP32 package added Document fully revised
08-Feb-2002	-07	$t_{ELQX}$ , $t_{AXQX}$ changed in Read and Standby Mode AC Characteristics Table (Table 7) $t_{DVEH}$ , $t_{DVWH}$ , $t_{WLWH}$ changed in Write Mode AC Characteristics Table (Table 12)
25-Feb-2002	-08	PDIP32 package removed Block Diagram clarified (Figure 4) Absolute Maximum Ratings table clarified (Table 3) Operating and AC Measurement Conditions table and figure clarified (Table 4, Figure 6) DC Characteristics table clarified (Table 6) Read and Standby Mode AC Characteristics table clarified (Table 7) Write Mode AC Characteristics table clarified (Table 12)
03-Mar-2002	-09	Operating and AC Measurement Conditions table clarified (Table 4) $I_{CCDR}$ Test Condition clarified (Table 9)
25-Mar-2002	-10	Read and Standby Mode AC Characteristics clarified (Table 7) Low $V_{CC}$ Data Retention Characteristics clarified (Table 9)
18-Apr-2002	-11	Read and Standby Mode AC Characteristics (Table 7): $t_{PD}$ and $t_{PU}$ clarified
26-Apr-2002	-12	DC Characteristics Table clarified (Table 6) Write Mode AC Characteristics Table clarified (Table 12)
17-May-2002	-13	$I_{SB}$ and $I_{CCDR}$ values clarified
02-Oct-2002	13.1	Revision numbering modified: a minor revision will be indicated by incrementing the digit after the dot, and a major revision, by incrementing the digit before the dot (revision version 013 equals 13.0). New part number added.
09-Oct-2002	13.2	Datasheet number simplified.
24-Sep-2004	14	Document structure modified: – Chapter OPERATION moved before chapter MAXIMUM RATING. – AC Characteristics Tables and waveforms moved to the DC/AC PARAMETERS section. $t_{PU}$ and $t_{PD}$ updated in Table 7.

Information furnished is believed to be accurate and reliable. However, STMicroelectronics assumes no responsibility for the consequences of use of such information nor for any infringement of patents or other rights of third parties which may result from its use. No license is granted by implication or otherwise under any patent or patent rights of STMicroelectronics. Specifications mentioned in this publication are subject to change without notice. This publication supersedes and replaces all information previously supplied. STMicroelectronics products are not authorized for use as critical components in life support devices or systems without express written approval of STMicroelectronics.

The ST logo is a registered trademark of STMicroelectronics.

All other names are the property of their respective owners

© 2004 STMicroelectronics - All rights reserved

STMicroelectronics group of companies

Australia - Belgium - Brazil - Canada - China - Czech Republic - Finland - France - Germany - Hong Kong - India - Israel - Italy - Japan - Malaysia - Malta - Morocco - Singapore - Spain - Sweden - Switzerland - United Kingdom - United States of America

[www.st.com](http://www.st.com)