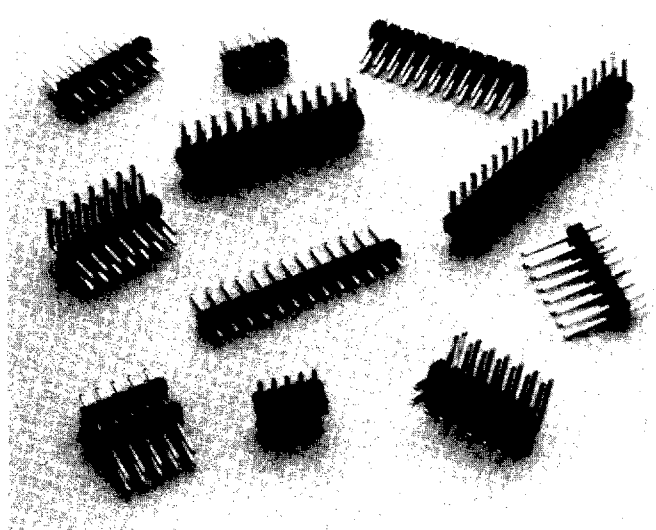


A-61-05-07

7.1



Garry's .025" square headers are available in straight and right angle configurations. The BRP1 has a .130", the BRP2 has a .230", and the BRP3 has a .318" above the board dimension. The single and dual row headers have the Garry "Breakaway" feature that allows you to "Snap-Off" a part to any length you need. Selective plating allows you to have gold on the contact surface and tin lead on the solder area.

- Pins are post plated with no exposed edges or tips.
- "Breakaway" feature allows you to carry only one size in stock and "Snap-Off" any number of pins per row you require.
- Straight, Right Angle, Single and dual row give you all the options you need.

Material:

Insulator:
Glass filled thermoplastic polyester, rated UL94V-0.
Color: Black.

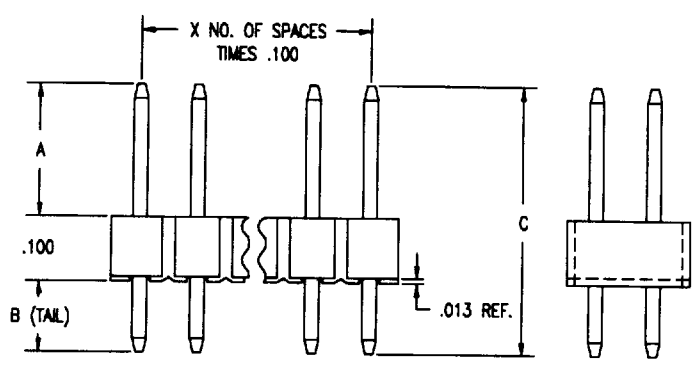
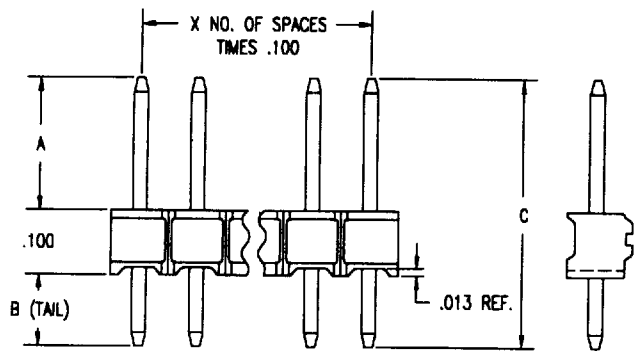
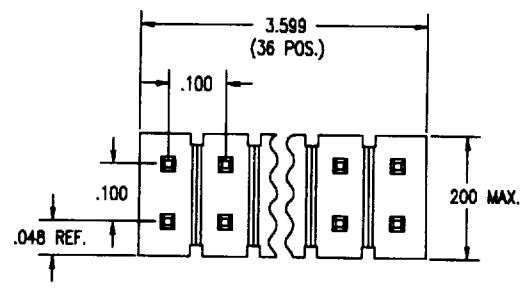
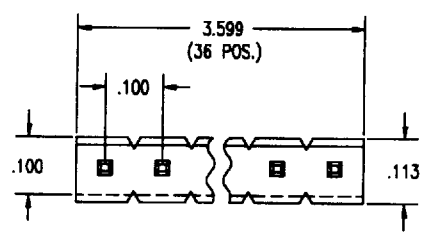
Pins:
Phosphor bronze, .025" square. Gold over nickel.
Tin lead over nickel. Selective plating Gold/Tin.

Plating options and specifications are available by contacting either the Garry factory or your local representative.

Pin Header Assemblies *.025 Square Headers*

Straight Single Row

Straight Dual Row



7.2

BRPX - X - XX - X - X - XX

SERIES
 BRP2 A Dim = .230
 BRP3 A Dim = .318

NO. OF ROWS
 D = Dual
 S = Single

TOTAL NO. OF PINS
 2 - 40 Positions = Single
 4 - 80 Positions = Dual

TAIL CONFIGURATION
 S = Straight

PLATING	
T	Bright Acid Tin Over Ni
G1	Gold Over Ni
G2	Gold Over Ni on Mating Area; Balance Tin Plating

TAIL LENGTHS			
Order Code	B Dim	C Dim BRP2	C Dim BRP3
1	.100	.430	.518
2	.125	.455	.543
3	.225	.555	.643
4	.425	.755	.843