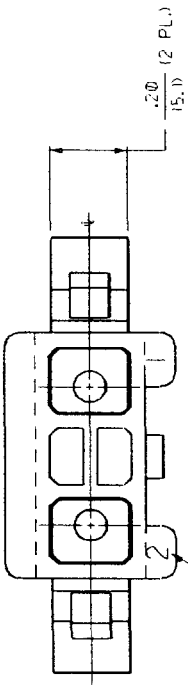
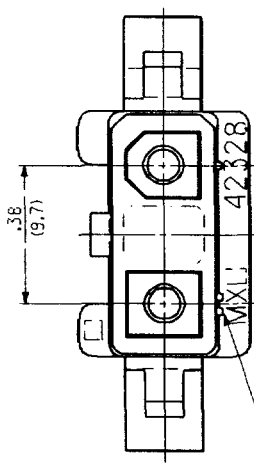
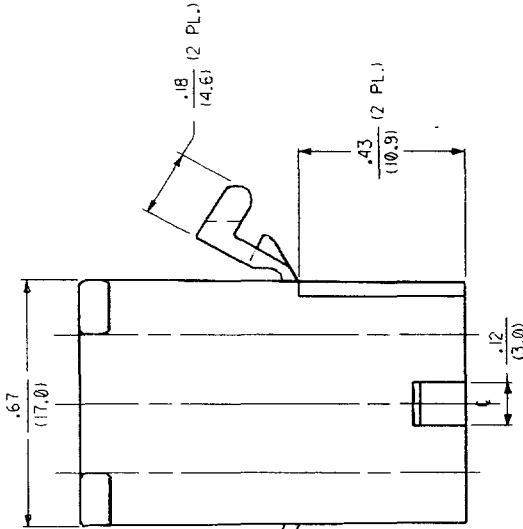


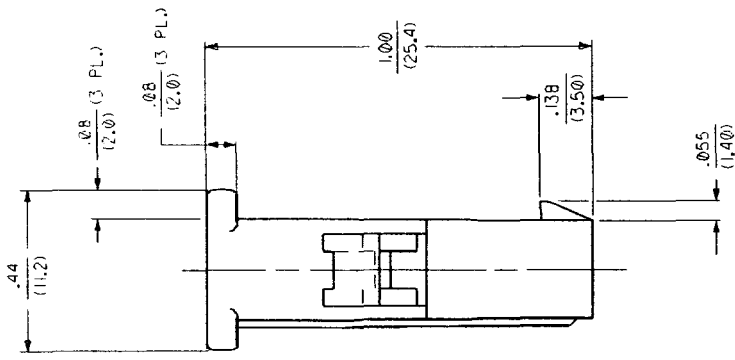
42328



CIRCUIT NUMBER



CIRCUIT IDENTIFICATION



# PLUG

REVISIONS		REVISE ONLY ON CAD SYSTEM	
DATE	BY	DATE	BY
7/12/83			
PLUG AND RECEPTACLE 2 CKT., 062/(157) SERIES CUSTOM #378/19.60)			
MOLEX INCORPORATED 14537 7/12/83			
SEE CHART SD-42328-2*			
THE DRAWING CONTAINS INFORMATION THAT IS PROPRIETARY TO MOLEX INCORPORATED. IT IS TO BE KEPT IN CONFIDENTIALITY AND NOT TO BE REPRODUCED OR TRANSMITTED IN ANY FORM OR BY ANY MEANS, ELECTRONIC OR MECHANICAL, INCLUDING PHOTOCOPYING, RECORDING, OR BY ANY INFORMATION STORAGE AND RETRIEVAL SYSTEM.			

NO.	DATE	BY	REVISIONS
1			
2			
3			
4			
5			

## MOLES02254

