

D-SUB Connector

SPECIFICATIONS

Mechanical

Contact Engagement Force : 0.34 Kgf/ Pin max.
Contact Separation Force : 0.021 Kgf/ Pin min.
Durability : 500 Cycles

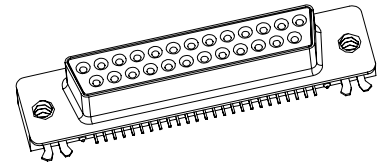
Electrical

Voltage Rating: 240V
Current Rating: 1A
Contact Resistance: 30 mΩ max.
Dielectric Withstanding Voltage: 500V AC/1 min.
Insulation Resistance: 5000MΩ

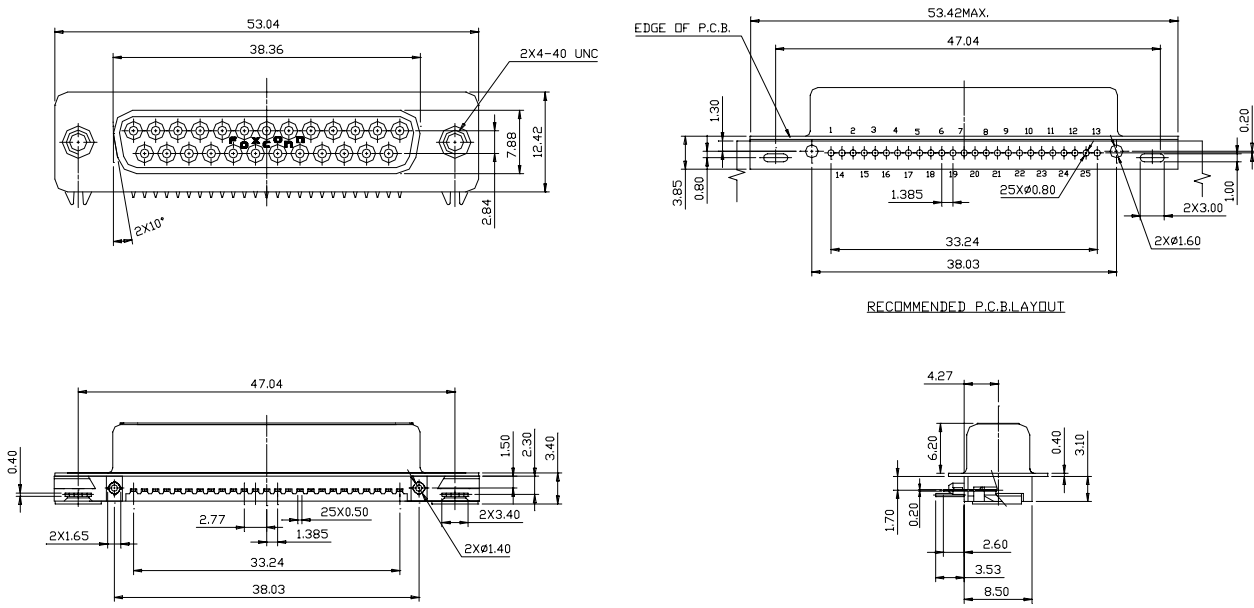
Physical

Housing: Thermoplastic, UL 94V-0 rated in Black/ PC99 Color
Contact: Copper alloy
Plating: See "ORDERING INFORMATION"
Solder Pad: Copper alloy
Operating Temperature: -55 to +105

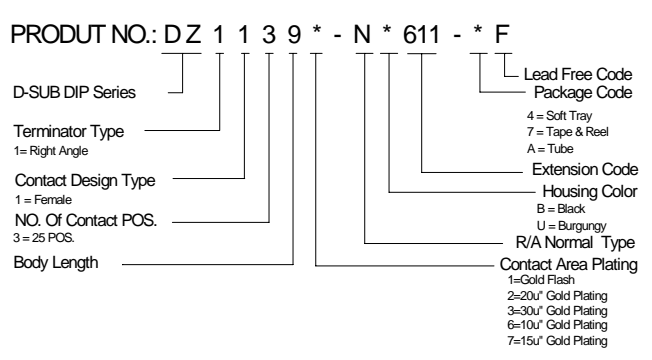
DZ Series
Right Angle, T/H, Female
Type
15 Pos.
Center Height 4.27 mm
Recommended PCB's
Thickness 1.0 or 1.2 mm



DRAWING



ORDERING INFORMATION



All specification & dimensions are subject to change, please call your nearest Foxconn sales representative for update information.