

DIMENSION(mm)

DIMENSION NUMBER	A	B	C
1	5.00	5.08	3.00
2	6.80	5.90	3.50
3	7.10	5.00	3.00
4	8.00	5.50	3.50
5	10.80	5.50	3.00

* STRAIGHT DEFINITION ONLY

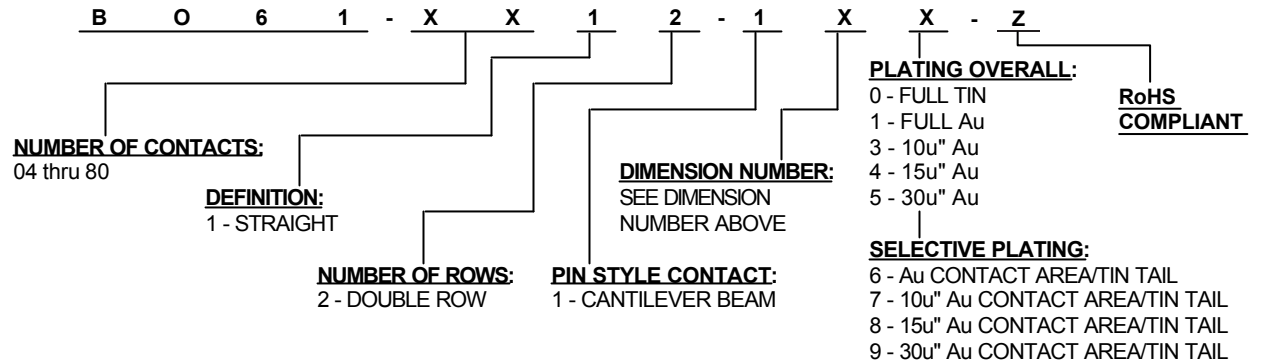
ELECTRICAL:

CURRENT RATING: 3A
 CONTACT RESISTANCE: < 20m Ω
 INSULATOR RESISTANCE: > 1000M Ω
 DIELECTRIC WITHSTANDING VOLTAGE: 500V AC FOR 1 MIN.
 OPERATING TEMPERATURE: -55° C TO +105° C

MATERIAL:

CONTACT: PHOSPHOR BRONZE
 INSULATOR: GLASS FILLED POLYESTER, UL94V-0

HOW TO ORDER:



Rev	Drawn	Checked	Approved	Date
0	S.E.	S.M.	S.M.	10/01/97
A	B.S.	S.M.	S.M.	08/08/08

SMP TECHNOLOGY, INC.

RECEPTACLE ASSEMBLY, 2.54mm PITCH