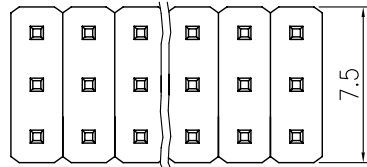
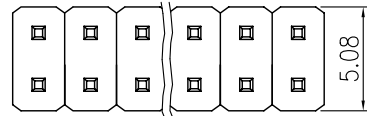
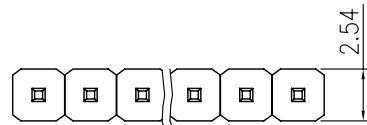
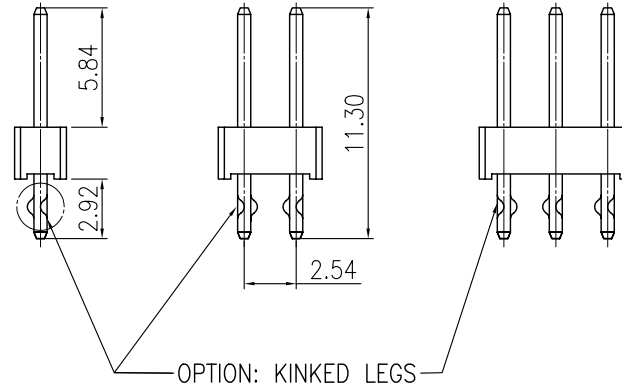
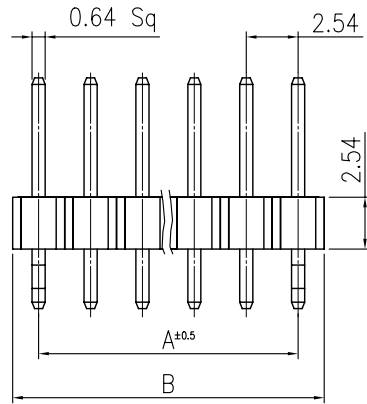


V1.1

REVISIONS							
SYM	DISCRIPTION	DATE	APPROVED	SYM	DISCRIPTION	DATE	APPROVED
△				△			
△				△			

**\*\*CUSTOMER DRAWING FOR REFERENCE ONLY, SAMPLES APPROVAL ARE REQUIRED!!**



**SPECIFICATION**  
 CURRENT RATING : 3 A  
 INSULATOR RESISTANCE: 5000MΩ MIN.  
 DIELECTRIC WITHSTANDING : AC 500V.  
 OPERATING TEMPERATURE: -40°C~+105°C.  
 CONTACT MATERIAL : BRASS  
 INSULATOR MATERIAL : STANDARD : P.B.T  
 FINISH : GOLD FLASH

**ORDER INFORMATION:**  
 PHa023-PXXOXGf  
 PH: PIN HEADER  
 α: 2.54mmX2.54mm PITCH  
 023: SERIES NO.  
 P: PCB TYPE STRAIGHT  
 XX: NO. OF PINS PER ROW  
 OX: NO. OF ROW  
 Gf: TERMINAL PLATING, GOLD FLUSH  
 K: KINKED PINS(OPTION)

PART NO.	CIRCUITS	DIMENSION	
		A	B
PHa023-P020_Gf	_X2	2.54	5.08
PHa023-P030_Gf	_X3	5.08	7.62
PHa023-P040_Gf	_X4	7.62	10.16
PHa023-P050_Gf	_X5	10.16	12.70
PHa023-P060_Gf	_X6	12.70	15.24
PHa023-P070_Gf	_X7	15.24	17.78
PHa023-P080_Gf	_X8	17.78	20.32
PHa023-P090_Gf	_X9	20.32	22.86
PHa023-P100_Gf	_X10	22.86	25.40
PHa023-P110_Gf	_X11	25.40	27.94
PHa023-P120_Gf	_X12	27.94	30.48
PHa023-P130_Gf	_X13	30.48	33.02
PHa023-P140_Gf	_X14	33.02	35.56
PHa023-P150_Gf	_X15	35.56	38.10
PHa023-P160_Gf	_X16	38.10	40.64
PHa023-P170_Gf	_X17	40.64	43.18
PHa023-P180_Gf	_X18	43.18	45.72
PHa023-P190_Gf	_X19	45.72	48.26
PHa023-P200_Gf	_X20	48.26	50.80
PHa023-P210_Gf	_X21	50.80	53.34
PHa023-P220_Gf	_X22	53.34	55.88
PHa023-P230_Gf	_X23	55.88	58.42
PHa023-P240_Gf	_X24	58.42	60.96
PHa023-P250_Gf	_X25	60.96	63.50
PHa023-P260_Gf	_X26	63.50	66.04
PHa023-P270_Gf	_X27	66.04	68.58
PHa023-P280_Gf	_X28	68.58	71.12
PHa023-P290_Gf	_X29	71.12	73.66
PHa023-P300_Gf	_X30	73.66	76.20
PHa023-P310_Gf	_X31	76.20	78.74
PHa023-P320_Gf	_X32	78.74	81.28
PHa023-P330_Gf	_X33	81.28	83.82
PHa023-P340_Gf	_X34	83.82	86.36
PHa023-P350_Gf	_X35	86.36	88.90
PHa023-P360_Gf	_X36	88.90	91.44
PHa023-P370_Gf	_X37	91.44	93.98
PHa023-P380_Gf	_X38	93.98	96.52
PHa023-P390_Gf	_X39	96.52	99.06
PHa023-P400_Gf	_X40	99.06	101.6

TOLERANCES UNLESS OTHERWISE SPECIFIED ±0.25			SIGNATURES		DATE	MODEL	
			DRAWN	TONY	28/NOV/02'	TITLE	
			CHECKED	ZOLA	13/NOV/03'	PIN HEADER	
SYMBOL	UNIT	SCALE	APPROVALS			NO.	
△	mm	4/1				PHa023-P__0_Gf	

MMT CORPORATION