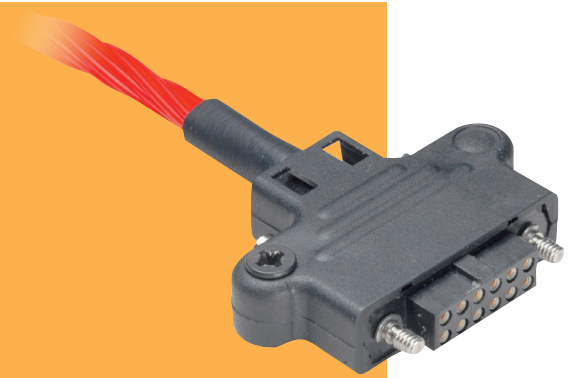


# Datamate J-Tek Connectors

## Female Crimp Kit with Hood

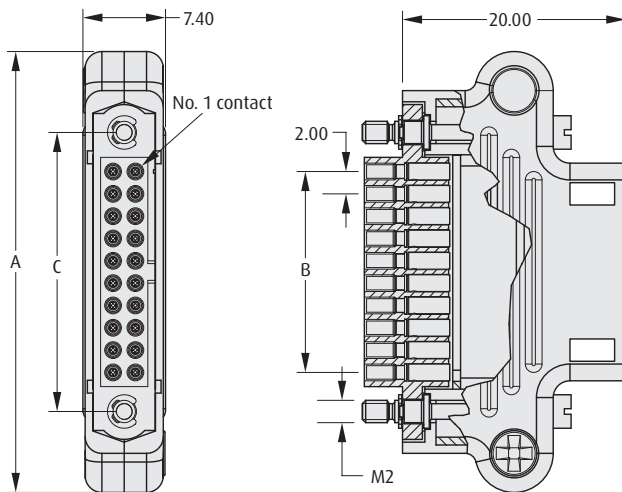
- Supplied as a complete kit: jackscrews assembled to housing; hood, contacts and assembly screws supplied loose.
- Provides strain relief by preventing cable bending at the rear of the connector, and also has the option of inserting a cable tie to reduce pull strain.



DATAMATE J-TEK

### FEMALE

### CALCULATION

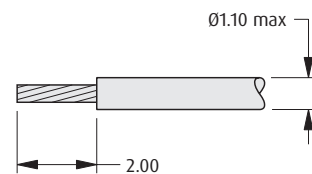


<b>A</b>	B + 21.5
<b>B</b>	Total no. of contacts - 2
<b>C</b>	B + 7

### TOOLS

- Recommended Crimp Tool** - M22520/2-01  
**Positioner** - T5747  
**Contact Insertion/Removal Tool** - Z80-280
- Spare and pre-cabled contacts shown on following pages.
  - Instruction sheets available at [www.harwin.com/instructions](http://www.harwin.com/instructions).

### WIRE STRIPPING DETAILS



### HOW TO ORDER

**M80 - 94 X XX XX**

#### SERIES CODE

#### TYPE

<b>0</b>	Small Bore (24-28 AWG)
<b>1</b>	Large Bore (22 AWG)

#### FINISH

<b>05</b>	Gold
<b>42</b>	Gold + Tin

#### TOTAL NO. OF CONTACTS

**06, 08, 10, 12, 14, 20, 26, 34, 42, 50**

All dimensions in mm.