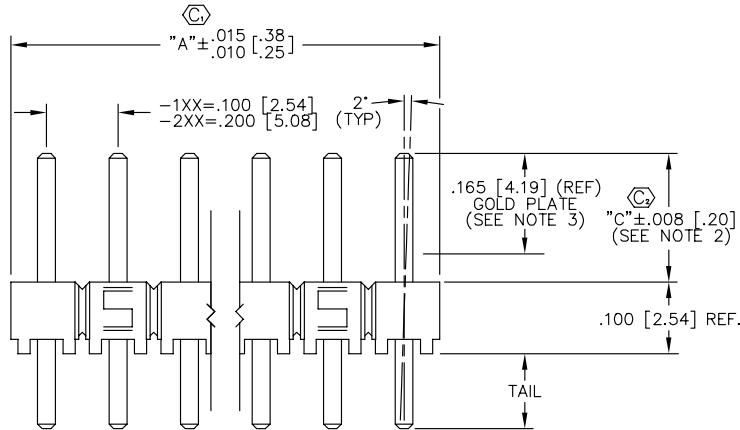


TERMINAL SPEC.	PIN #1	PIN #2	PIN #3
-05	T-1S6-21-X-2	N/A	N/A
-06	T-1S6-18-X-2	N/A	N/A
-07	T-1S6-07-X-2	T-1S6-15-X-2	T-1S6-10-X-2
-08	T-1S6-08-X-2	T-1S6-09-X-2	T-1S6-11-X-2
-09	T-1S6-09-X-2	T-1S6-11-X-2	T-1S6-20-X-2
-10	T-1S6-10-X-2	T-1S6-12-X-2	T-1S6-13-X-2
-11	T-1S6-11-X-2	T-1S6-20-X-2	T-1S6-19-X-2
-12	T-1S6-12-X-2	T-1S6-13-X-2	T-1S6-14-X-2
-13	T-1S6-13-X-2	T-1S6-14-X-2	N/A
-21	T-1S6-14-X-2	N/A	N/A
-22	T-1S6-15-X-2	T-1S6-10-X-2	T-1S6-12-X-2
-23	T-1S6-16-X-2	N/A	N/A
-24	T-1S6-17-X-2	N/A	N/A
-27	T-1S6-19-X-2	N/A	N/A
-28	T-1S6-20-X-2	T-1S6-19-X-2	N/A

LEAD STYLE	C MAXIMUM STRAIGHT	C MAXIMUM W/RA	C MAXIMUM W/RE
-05	.235 [5.97]	N/A	N/A
-06	.200 [5.08]	N/A	N/A
-07	.330 [8.38]	.130 [3.30]	N/A
-08	.430 [10.92]	.230 [5.84]	.130 [3.30]
-09	.630 [16.00]	.430 [10.92]	.330 [8.38]
-10	.730 [18.54]	.530 [13.46]	.430 [10.92]
-11	.830 [21.08]	.630 [16.00]	.530 [13.46]
-12	.930 [23.62]	.730 [18.54]	.630 [16.00]
-13	1.130 [28.70]	.930 [23.62]	.830 [21.08]
-21	1.330 [33.78]	1.130 [28.70]	1.030 [26.16]
-22	.530 [13.46]	.330 [8.38]	.230 [5.84]
-23	.345 [8.76]	.145 [3.68]	N/A
-24	.380 [9.65]	.180 [4.57]	N/A
-27	1.230 [31.24]	1.030 [26.16]	.930 [23.62]
-28	1.030 [26.16]	.830 [21.08]	.730 [18.54]

- NOTES:
- TERMINAL PUSHOUT FORCE: 3 LBS. MIN.
 - HEIGHT VARIATION BETWEEN ANY TWO ROWS SHALL BE .005 [.13] MAX (R.A. TAIL N/A).
 - ASSEMBLE GOLD PLATE END AS SHOWN.
 - .020 [.51] MAX. ALLOWABLE FLASH AFTER REMOVAL OF CROSS-BARS.
 - (C) REPRESENTS CRITICAL DIMENSION.
 - TOW & SWAY SPEC. OF 2' APPLIES TO ALL POSITIONS, POST & TAIL, IN ALL DIRECTIONS.
 - STL PLATING AVAILABLE IN LEAD STYLES -07, -08, -10, 16, 17 & 21. STRAIGHT THROUGH HOLE ONLY.
 - ORIENTATE PINS TO REDUCE THE NUMBER OF BANDOLIERS MARKS IN THE POST AREA. (SEE TABLE 6)
 - NOTE DELETED

ASSEMBLY INSTRUCTIONS



BODY SPECIFICATION		TABLE 3	
ROW/OPTION	USE BODY	-XX	"B"
-S/-S-NA/-S-NE	TSW-50-S	-RA	.060 [1.52]
-S-RA/-S-RE	TSW-50-S-RA	-RE	.160 [4.06]
-D/-D-NA/-D-NE	RTSW-50-D *		
-D-RA	TSW-50-D-RA		
-T/-T-NA/-T-NE	TSW-50-T		
-T-RA	TSW-50-T-RA		
-Q	TSW-50-T		

* RTSW FOR HAND FILL. TSW FOR MACHINE FILL.
TSW AND RTSW ARE INTERCHANGEABLE.

LENGTH	"L"
-07	.430 [10.92]
-08	.530 [13.46]
-09	.730 [18.54]
-10	.830 [21.08]
-11	.930 [23.62]
-12	1.030 [26.16]
-13	1.230 [31.24]
-14	1.430 [36.32]
-15	.630 [16.00]
-16	.445 [11.30]
-17	.480 [12.19]
-18	.300 [7.62]
-19	1.330 [33.78]
-20	1.130 [28.70]
-21	.335 [8.51]

* REF FOR PIN LENGTH

UNLESS OTHERWISE NOTED TOLERANCES ARE:

ONE PLACE DECIMALS ±.1 [3] THREE PLACE DECIMALS ±.005 [.13] ANGLES ± 2°
 TWO PLACE DECIMALS ±.01 [.3] FOUR PLACE DECIMALS ±.0020 [.051]

TITLE: ASSEMBLY, .025 [.64] SQ. POST TERMINAL STRIP
 DWG NO: MTSW-XXX-XX-X-X-XXXX-XX-XXX
 SHEET 1 OF 3

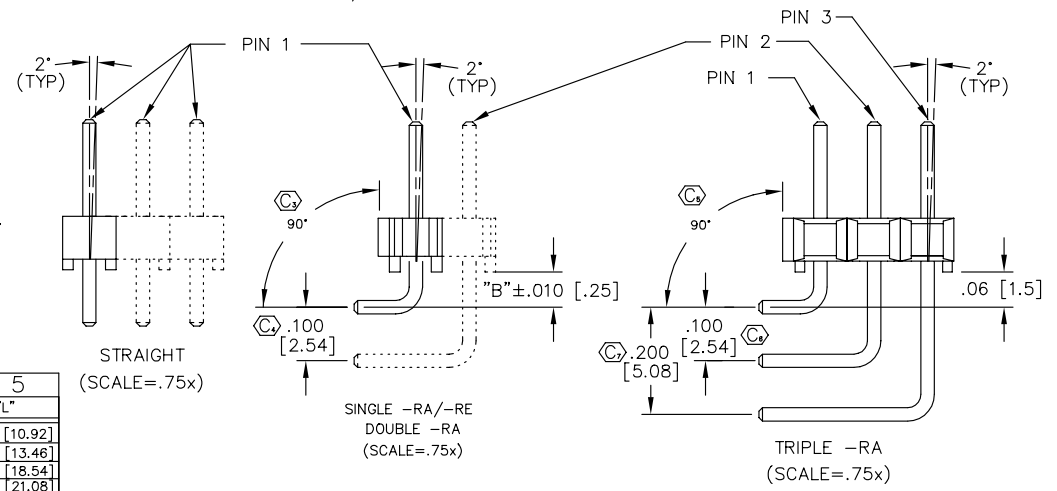
OPTION #2
-POLARIZATION SPEC.
XXX INDICATES POS. TO BE OMITTED (SEE FIG. 2)

OPTION #1
-BLANK= STRAIGHT
-RA= RIGHT ANGLE (SEE TABLE 3 & FIG. 3)(-05 N/A)
-RE= EXTENDED RIGHT ANGLE (SEE TABLE 3 & FIG. 3) (SINGLE ROW ONLY)(-05,-07,-23,-24 N/A)
-NA= RA OPTION WITH STRAIGHT OPTION BODY
-NE= RE OPTION WITH STRAIGHT OPTION BODY
-LL= LOCKING LEAD (SEE FIG 1) (N/A WITH -RE OPTION OR SINGLE ROW 1 OR 2 POSITION) (TAILS FROM .090 [2.29] TO .400 [10.16] ONLY) (N/A IN SINGLE ROW, 1 & 2 POSITIONS)
-LA= -RA OPTION WITH -LL OPTION (SEE FIG 2 & 3) (N/A WITH SINGLE ROW 1 OR 2 POSITION) (TAILS FROM .090 [2.29] TO .310 [7.87] ONLY) POST = .530 [13.46] MAX.

POST HEIGHT
XXXX = "C" (SEE TABLE 4)

ROW SPECIFICATION (SEE TABLE #2)
-S: SINGLE
-D: DOUBLE
-T: TRIPLE
-Q: TRIPLE ROW (FILL OUTER ROWS ONLY)

PLATING SPECIFICATIONS
-G: GOLD
-T: TIN
-S: SELECTIVE HEAVY GOLD
-H: HEAVY GOLD
-P: GOLD FLASHED PALLADIUM NICKEL (NOT AVAILABLE FOR -05 & -06 LEAD STYLES)
-L: SELECTIVE LIGHT GOLD
-F: FLASH SELECTIVE GOLD
-STL: SELECTIVE TIN-LEAD (SEE NOTE 7)
-TM: MATTE TIN
-SM: HEAVY SELECTIVE GOLD, MATTE TIN TAIL
-LM: LIGHT SELECTIVE GOLD, MATTE TIN TAIL
-FM: FLASH SELECTIVE GOLD, MATTE TIN TAIL



MATERIAL:
BODIES:
GLASS FILLED POLYESTER
COLOR:BLACK
TERMINALS:
PHOSPHER BRONZE

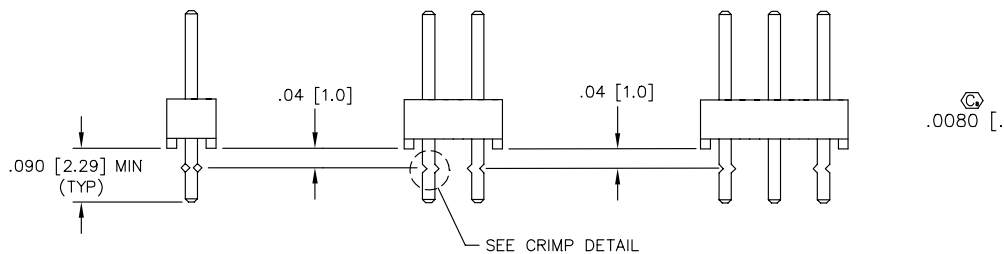
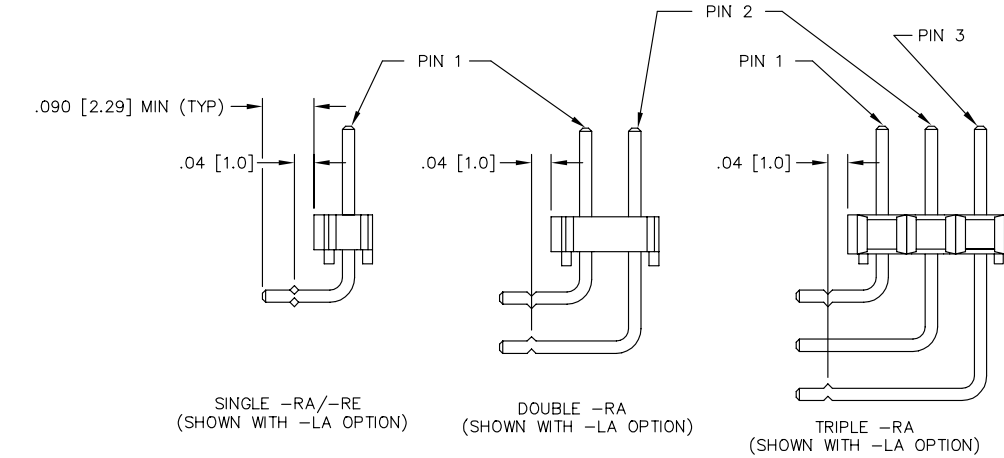
EXISPROD\ASSEMBLY\100 MTSW-ASM

santec

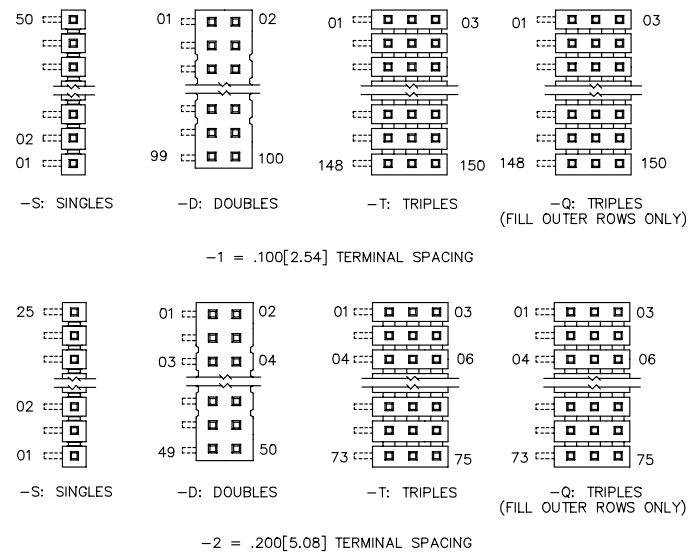
520 PARK EAST BLVD. NEW ALBANY, INDIANA 47150
PHONE (812) 944-6733 P.O. BOX 1147
CODE 55322

PROPRIETARY NOTE
THIS DOCUMENT CONTAINS INFORMATION CONFIDENTIAL AND PROPRIETARY TO SAMTEC INC. AND SHALL NOT BE REPRODUCED OR TRANSMITTED IN ANY FORM OR BY ANY MEANS, ELECTRONIC OR MECHANICAL, INCLUDING PHOTOCOPYING, RECORDING, OR BY ANY INFORMATION STORAGE AND RETRIEVAL SYSTEM, WITHOUT THE EXPRESS WRITTEN CONSENT OF SAMTEC INC.

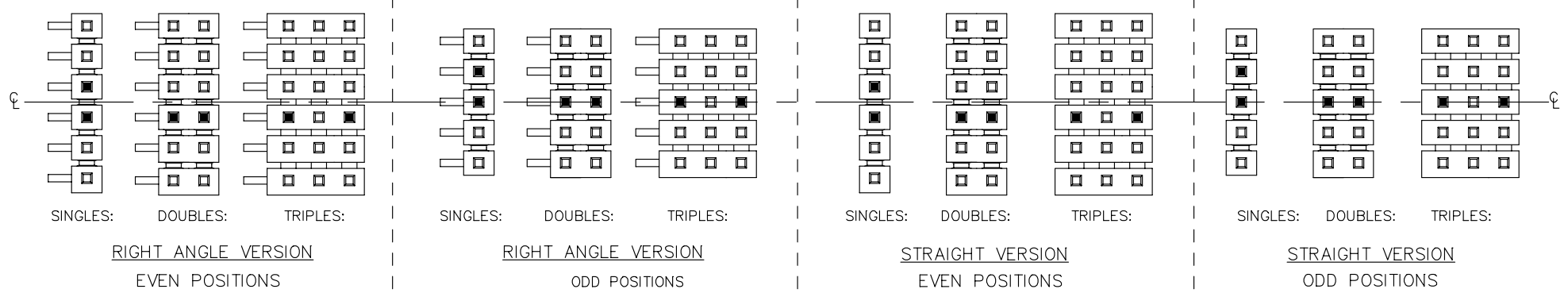
FIG. 3



CRIMP DETAIL
 SCALE: 2x
 [TYP - ALL CRIMPS]



POLARIZATION
 (STRAIGHT & RA VERSIONS)
 FIG. 2



LOCKING LEAD
 ■ = CRIMP LOCATION
 FIG. 1

PROPRIETARY NOTE
 THIS DOCUMENT CONTAINS INFORMATION CONFIDENTIAL AND PROPRIETARY TO SAMTEC INC. AND SHALL NOT BE REPRODUCED OR TRANSMITTED TO OTHER DOCUMENTS OR DISCLOSED TO OTHERS OR USED FOR ANY PURPOSE OTHER THAN THAT FOR WHICH IT WAS OBTAINED WITHOUT THE EXPRESSED WRITTEN CONSENT OF SAMTEC INC.

EXISPROD\ASSEMBLY\100
 MTSW-AM2

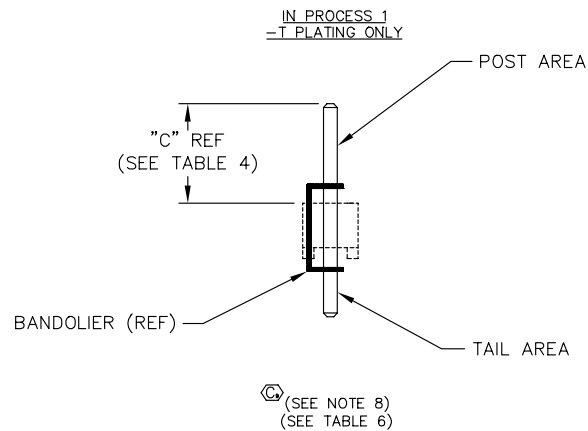
samtec

520 PARK EAST BLVD. NEW ALBANY, INDIANA 47150
 PHONE (812) 944-6733 P.O. BOX 1147
 CODE 55322

MADE BY: MTSW-XXX-XX-X-X-XXXX-XX-XXX
 SHEET 2 OF 3

PLOT SCALE: 1=2

TABLE 6			
NUMBER OF BAND MARKS ALLOWED IN POST AREA			
LEAD STYLE	PIN #1	PIN #2	PIN #3
*-05	1	N/A	N/A
-06	1	N/A	N/A
-07	1	1	1
-07-RA	1	0	0
-08	2	2	2
-08-RA	0	0	0
-08-RE	0	0	0
*-09	2	2	2
*-09-RA	1	0	0
*-09-RE	0	0	0
*-10	2	2	2
*-10-RA	1	0	0
*-10-RE	0	0	0
*-11	2	2	2
*-11-RA	1	0	0
*-11-RE	0	0	0
*-12	2	2	2
*-12-RA	1	0	0
*-12-RE	0	0	0
*-13	2	2	N/A
*-13-RA	1	0	N/A
*-13-RE	0	0	N/A
*-21	2	N/A	N/A
*-21-RA	1	N/A	N/A
*-21-RE	0	N/A	N/A
-22	2	2	2
*-22-RA	1	0	0
*-22-RE	0	0	0
-23	2	N/A	N/A
-23-RA	0	N/A	N/A
-24	2	N/A	N/A
-24-RA	0	N/A	N/A
*-27	2	N/A	N/A
*-27-RA	1	N/A	N/A
*-27-RE	0	N/A	N/A
*-28	2	2	N/A
*-28-RA	1	0	N/A
*-28-RE	0	0	N/A



* PINS TO BE FLIPPED OPPOSITE OF SELECTIVE PLATING BEFORE BEING INSERTED

PROPRIETARY NOTE
THIS DOCUMENT CONTAINS INFORMATION CONFIDENTIAL AND PROPRIETARY TO SAMTEC INC. AND SHALL NOT BE REPRODUCED OR TRANSFERRED TO OTHER DOCUMENTS OR DISCLOSED TO OTHERS OR USED FOR ANY PURPOSE OTHER THAN THAT FOR WHICH IT WAS OBTAINED WITHOUT THE EXPRESSED WRITTEN CONSENT OF SAMTEC INC.

EXISPROD\ASSEMBLY\100 MTSW-ASM3
samtec
750 PARK EAST BLVD. NEW ALBANY, INDIANA 47150 PHONE (812) 944-6733 P.O. BOX 1147 CODE 55322
MADE BY: MTSW-XXX-XX-X-X-XXXX-XX-XXX
SHEET 3 OF 3