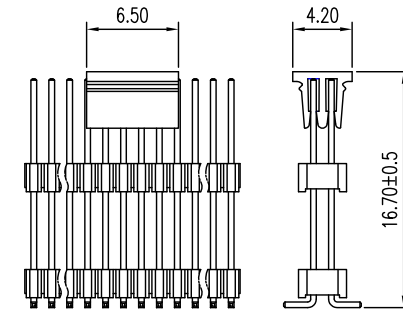
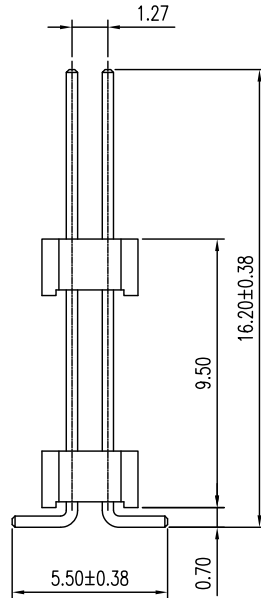
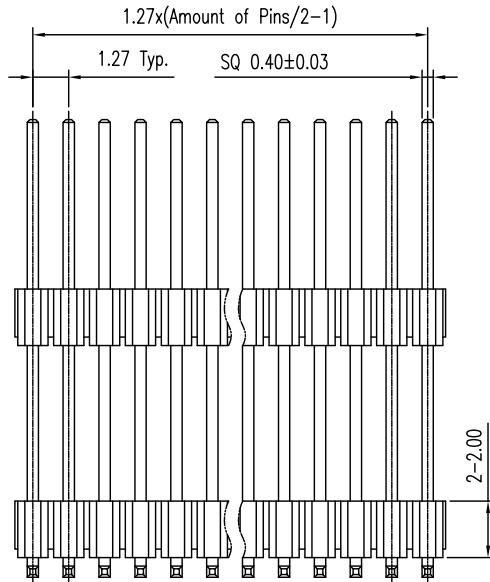


Recommended P.C.B. Layout
Layout Tolerance : ± 0.05mm

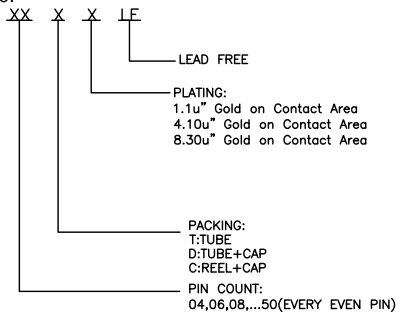


Cap Option



NOTE:

- 1.MATERIAL:
HOUSING/CAP:HIGH TEMP THERMALPLASTIC,UL94-V0
TERMIANL:COPPER ALLOY
- 2.FINISH:
TERMINAL:Selected Gold on Contact Area, 1u" Min. Gold on Solder Tails,
Both over 40u" Min. Nickel Under-plated Overall
- 3.SPEC:
PRODUCT SEPC:GS-12-629
- 4.PRODUCT NUMBERING:
10136670- 095 XX X X LE



mat'l. code		surface SO1101 ISO1101		tolerance ISO1302		projection MM		product family HPL585	
ltr		ecn no		dr		date		title	
A		NEW RELEASE		TIM		09/28/15		MINITEK127 STACK HEADER VT,SMT	
								dwg no	
								10136670	
								sheet 1 of 1	
								size A4	
								type Product Customer Drawing	
sheet index		revision		A					
1		1							