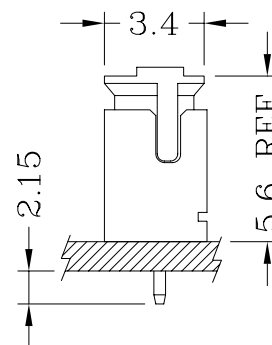
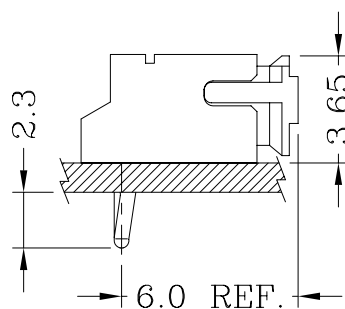


Assembly Layout

Straight Angle (V-Type)



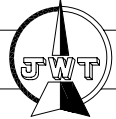
Right Angle (R-Type)



Specifications:

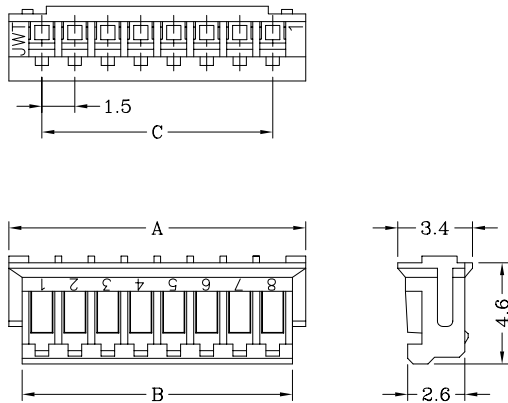
Poles	2~15 Poles
Pitch between poles	1.50mm
Rated Voltage	50V AC,DC
Rated Current	1A (AWG #28)
Withstand Voltage	500V AC/minute
Contact Resistance	20mΩ (MAX.)
Insulation Resistance	500MΩ (MIN.)
Temperature Range	-25°~+85°C
Applicable P.C.B. Thickness	0.6~1.2mm
Applicable P.C.B. Hole dia.	∅0.70±0.03mm
Applicable Wire Range	AWG #28~#32

# A1501 Series 1.50mm pitch crimp terminal socket



## Features:

- \* Available in 2 through 15 circuits
- \* Material: Nylon 66 UL 94V-0 (White)
- \* Suitable JWT A1501 series terminal
- \* Mates with JWT A1501 series wafer



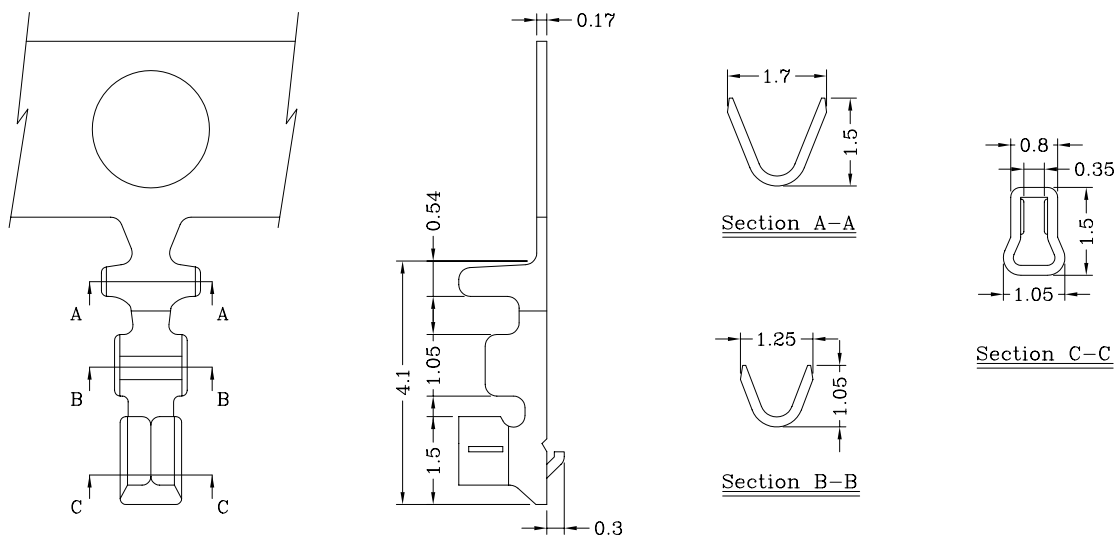
## Dimensional & Ordering Information:

Circuits	Part No	Dimensions			Pcs/Bag
		A	B	C	
2	A1501H00-2P	4.5	3.3	1.5	1000
3	A1501H00-3P	6.0	4.8	3.0	1000
4	A1501H00-4P	7.5	6.3	4.5	1000
5	A1501H00-5P	9.0	7.8	6.0	1000
6	A1501H00-6P	10.5	9.3	7.5	1000
7	A1501H00-7P	12.0	10.8	9.0	1000
8	A1501H00-8P	13.5	12.3	10.5	1000
9	A1501H00-9P	15.0	13.8	12.0	1000
10	A1501H00-10P	16.5	15.3	13.5	1000
11	A1501H00-11P	18.0	16.8	15.0	1000
12	A1501H00-12P	19.5	18.3	16.5	1000
13	A1501H00-13P	21.0	19.8	18.0	1000
14	A1501H00-14P	22.5	21.3	19.5	1000
15	A1501H00-15P	24.0	22.8	21.0	1000

# A1501 Series 1.50mm pitch crimp terminal

## Features:

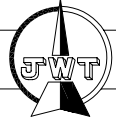
- \* Used in JWT A1501 series socket



## Dimensional & Ordering Information:

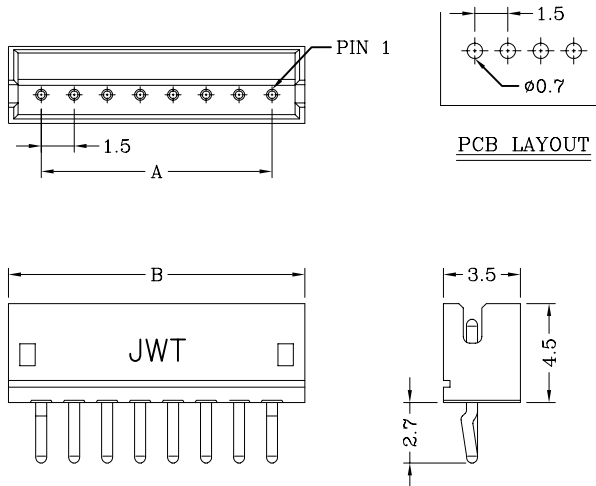
Part No	Wire Range	Insulation O.D.	Material	Finish	Qty/reel
A1501TOP-2	AWG #28~#32	0.90mm(max)	Phosphor bronze	Tin-Plated	18,000 PCS

# A1501 Series 1.50mm pitch wafer (V-Type)



## Features:

- \* Available in 2 through 15 circuits
- \* Material: Insulator: Nylon 66 UL 94V-0 (White)  
Contact: 0.50mm(.020") round pin, brass tin plated
- \* Mates with A1501 series socket



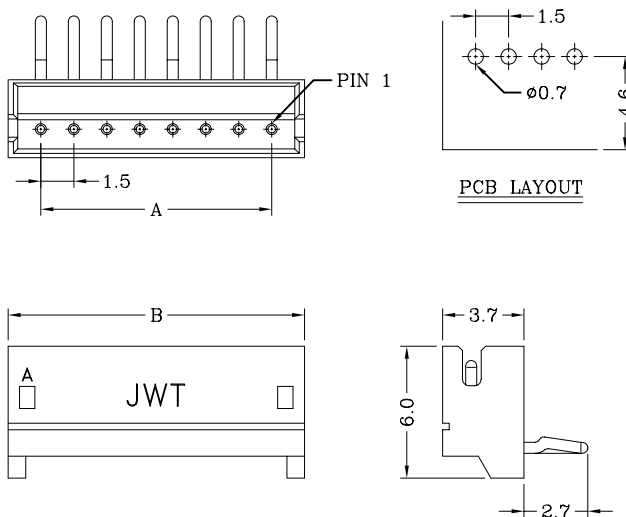
## Dimensional & Ordering Information:

Circuits	Part No	Dimensions		Pcs/Bag
		A	B	
2	A1501WV0-2P	1.5	4.5	1000
3	A1501WV0-3P	3.0	6.0	1000
4	A1501WV0-4P	4.5	7.5	1000
5	A1501WV0-5P	6.0	9.0	1000
6	A1501WV0-6P	7.5	10.5	500
7	A1501WV0-7P	9.0	12.0	500
8	A1501WV0-8P	10.5	13.5	500
9	A1501WV0-9P	12.0	15.0	500
10	A1501WV0-10P	13.5	16.5	500
11	A1501WV0-11P	15.0	18.0	500
12	A1501WV0-12P	16.5	19.5	500
13	A1501WV0-13P	18.0	21.0	500
14	A1501WV0-14P	19.5	22.5	500
15	A1501WV0-15P	21.0	24.0	500

# A1501 Series 1.50mm pitch wafer (R-Type)

## Features:

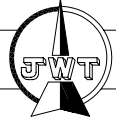
- \* Available in 2 through 15 circuits
- \* Material: Insulator: Nylon 66 UL 94V-0 (White)  
Contact: 0.50mm(.020") round pin, brass tin plated
- \* Mates with A1501 series socket



## Dimensional & Ordering Information:

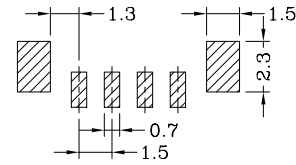
Circuits	Part No	Dimensions		Pcs/Bag
		A	B	
2	A1501WR0-2P	1.5	4.5	1000
3	A1501WR0-3P	3.0	6.0	1000
4	A1501WR0-4P	4.5	7.5	1000
5	A1501WR0-5P	6.0	9.0	1000
6	A1501WR0-6P	7.5	10.5	500
7	A1501WR0-7P	9.0	12.0	500
8	A1501WR0-8P	10.5	13.5	500
9	A1501WR0-9P	12.0	15.0	500
10	A1501WR0-10P	13.5	16.5	500
11	A1501WR0-11P	15.0	18.0	500
12	A1501WR0-12P	16.5	19.5	500
13	A1501WR0-13P	18.0	21.0	500
14	A1501WR0-14P	19.5	22.5	500
15	A1501WR0-15P	21.0	24.0	500

# A1501 Series 1.50mm pitch wafer (V-SMT Type)

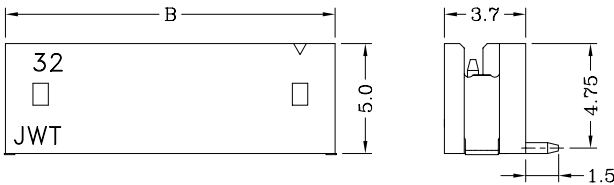
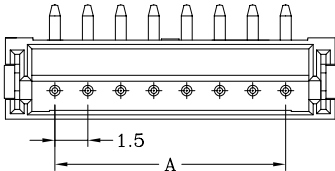


## Features:

- \* Available in 2 through 15 circuits
- \* Material: Insulator: Nylon 6T UL 94V-0 (Milky Yellow)  
Contact Post: Brass, Tin Plated  
Solder Tab: Brass, Tin Plated
- \* Mates with A1501 series socket



P.C.B. LAYOUT



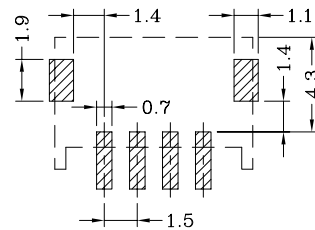
## Dimensional & Ordering Information:

Circuits	Part No	Dimensions		Pcs/RL
		A	B	
2	A1501WV0-2PS	1.5	6.0	1000
3	A1501WV0-3PS	3.0	7.5	1000
4	A1501WV0-4PS	4.5	9.0	1000
5	A1501WV0-5PS	6.0	10.5	1000
6	A1501WV0-6PS	7.5	12.0	1000
7	A1501WV0-7PS	9.0	13.5	1000
8	A1501WV0-8PS	10.5	15.0	1000
9	A1501WV0-9PS	12.0	16.5	1000
10	A1501WV0-10PS	13.5	18.0	1000
11	A1501WV0-11PS	15.0	19.5	1000
12	A1501WV0-12PS	16.5	21.0	1000
13	A1501WV0-13PS	18.0	22.5	1000
14	A1501WV0-14PS	19.5	24.0	1000
15	A1501WV0-15PS	21.0	25.5	1000

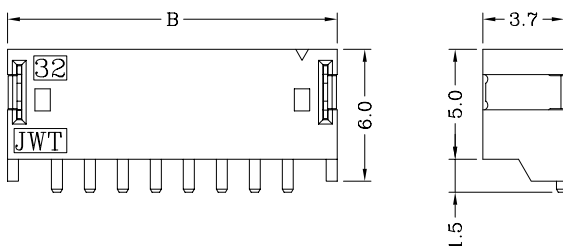
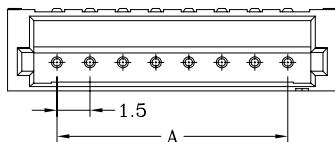
# A1501 Series 1.50mm pitch wafer (R-SMT Type)

## Features:

- \* Available in 2 through 15 circuits
- \* Material: Insulator: Nylon 6T UL 94V-0 (Milky Yellow)  
Contact Post: Brass, Tin Plated  
Solder Tab: Brass, Tin Plated
- \* Mates with A1501 series socket



P.C.B. LAYOUT



## Dimensional & Ordering Information:

Circuits	Part No.	Dimensions		Pcs/Bag
		A	B	
2	A1501WR0-2PS	1.5	6.0	1000
3	A1501WR0-3PS	3.0	7.5	1000
4	A1501WR0-4PS	4.5	9.0	1000
5	A1501WR0-5PS	6.0	10.5	1000
6	A1501WR0-6PS	7.5	12.0	1000
7	A1501WR0-7PS	9.0	13.5	1000
8	A1501WR0-8PS	10.5	15.0	1000
9	A1501WR0-9PS	12.0	16.5	1000
10	A1501WR0-10PS	13.5	18.0	1000
11	A1501WR0-11PS	15.0	19.5	1000
12	A1501WR0-12PS	16.5	21.0	1000
13	A1501WR0-13PS	18.0	22.5	1000
14	A1501WR0-14PS	19.5	24.0	1000
15	A1501WR0-15PS	21.0	25.5	1000