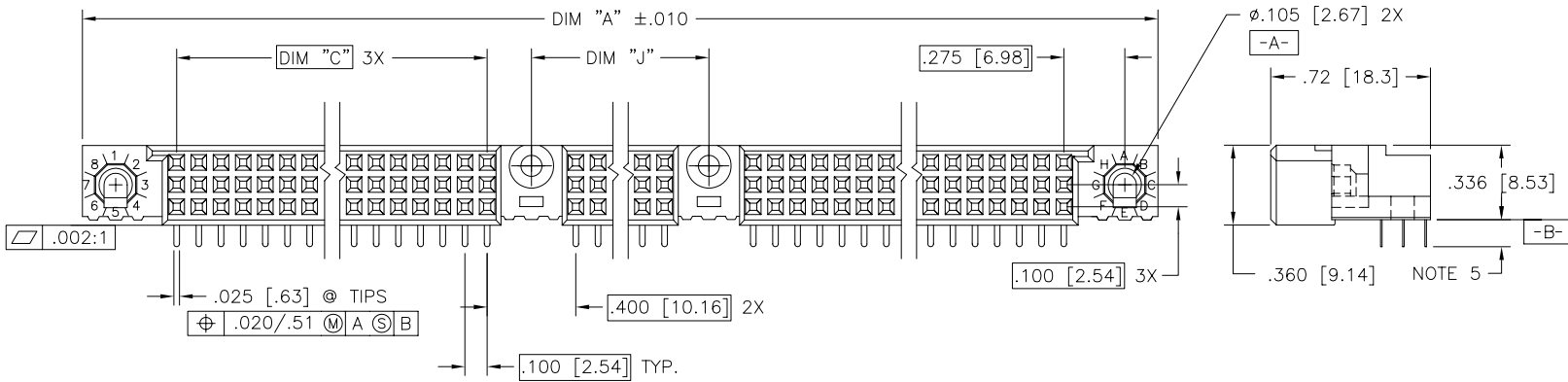
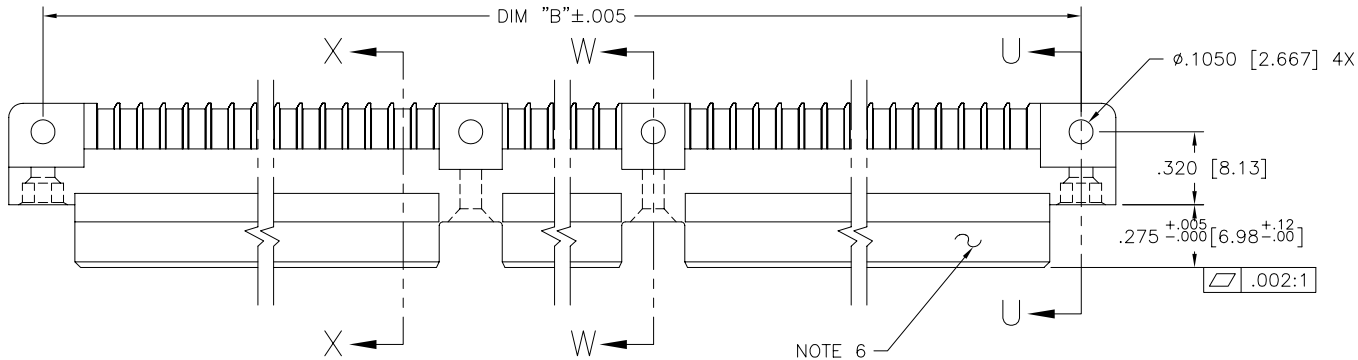


PRODUCT NUMBER  
SEE NOTE 1

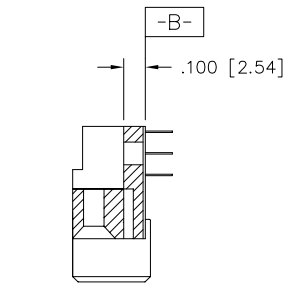
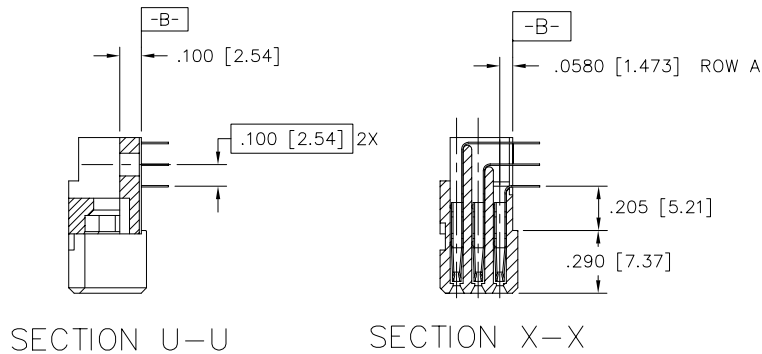


mat'l. code		surface ISO 1302 ✓		tolerance ISO 406 ISO 1101		projection INCH/MM		product family HPC	
ltr		ecn no dr		date		tolerances unless otherwise specified		title	
A	V40979	GAH	6/8/94			angles	.XX±.01/.3	3 ROW R/A RECEPTACLE	
B	V00294	JWS	2/7/00			linear	.XXX±.005/.13	2 G.P., NO-RIB, GENERIC MNT.	
C	V20646	MEM	5/24/02			0°±2'	.xxxx±.0020/.051	scale 1:1	
D	M06-0255	AGS	7/7/06	dr	G. HULL	7/28/94	FCI		
				engr	D. HORCHLER	6/8/94	sheet 1 of 2 size		
				chr	D. HORCHLER	7/28/94	50830 A3		
				appd	S. CLARK	8/5/94	type Product Customer Drawing		
sheet index	revision sheet	D	D						
		1	2						

FCI  
FCIconnect.com

Copyright FCI

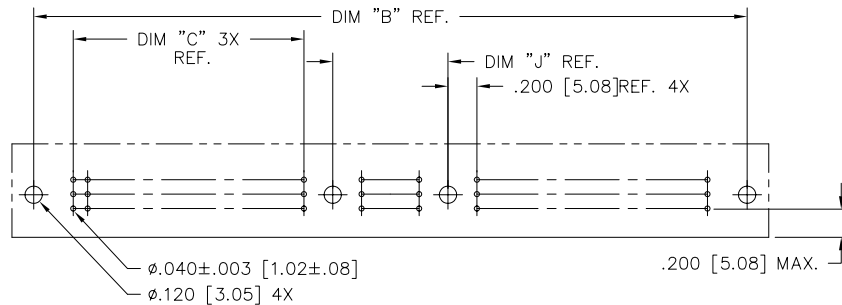
PRODUCT NUMBER	DIM.	LENGTH FORMULAS
SEE NOTE 1	DIM A	.100/2.54 X NO. OF COLUMNS + 1.35/34.3
	DIM B	.100/2.54 X NO. OF COLUMNS + 1.050/26.67
	DIM C	.100/2.54 X NO. OF COLUMNS DIVIDED BY 3 - .100/2.54
	DIM J	.100/2.54 X NO. OF COLUMNS DIVIDED BY 3 + .300/7.62



SECTION W-W

NOTES:

- PRODUCT NUMBERING CODE:  
50830 - X YYY Z  
  - TAIL LENGTH(NOTE 5)
  - NO. OF POSITIONS(NOTE 2)
  - PLATING(NOTE 4)
  - BASE NUMBER
- THIS PRODUCT IS CONFIGURED IN SIZES OF 30 THRU 150 COLUMNS IN INCREMENTS OF THREE.  
i.e.: 30,33,36,39.....147,150.
- HOUSING MATERIAL: GLASS AND MINERAL FILLED HIGH TEMP. THERMOPLASTIC. FLAME RETARDANT PER UL94V-0. COLOR: BLACK.  
CONTACT MATERIAL: BeCu
- PLATING CONTACT AREA OPTIONS:  
1 = 30u"/.76u GOLD  
3 = 50u"/1.27u GOLD  
5 = 30u"/.76u GXT  
ALL SOLDER TAILS TIN/LEAD
- TAIL LENGTH OPTIONS:  
E = .125±.010 / 3.18±.25  
F = .145±.010 / 3.68±.25  
H = .180±.010 / 4.57±.25
- MANUFACTURE'S NAME, PART NUMBER AND LOT CODE TO APPEAR ON THIS SURFACE PER BUS-12-108.
- FOR DOCUMENTATION MENU, SEE SPECIFICATION BUS-01-057.



RECOMMENDED PCB LAYOUT  
(ALL HOLES LOCATED ON .100 [2.54] GRID UNLESS OTHERWISE SPECIFIED)

mat'l. code		surface ISO 1302 ✓ ISO 406 ISO 1101		tolerance ISO 406 ISO 1101		projection INCH/MM		product family HPC	
ltr		ecn no		dr		date		title	
D								3 ROW R/A RECEPTACLE 2 G.P., NO-RIB, GENERIC MNT.	
								dwg no 50830	
								sheet 2 of 2 size A3	
								type Product Customer Drawing	
sheet index		revision sheet							