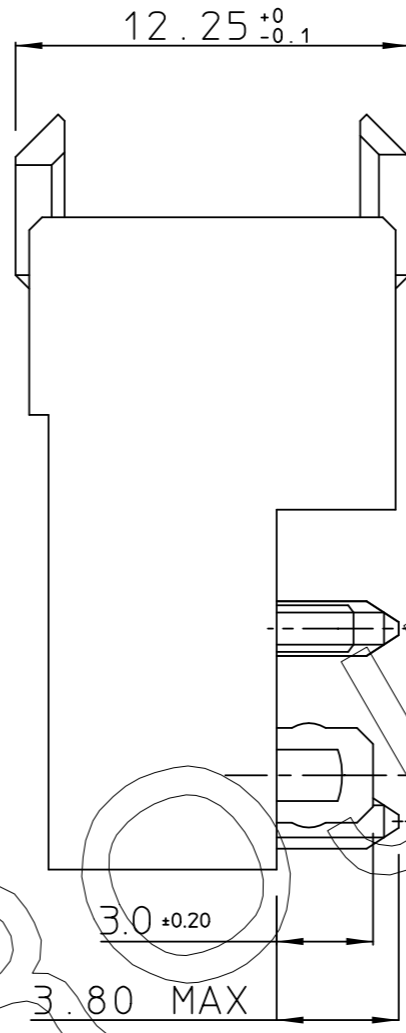
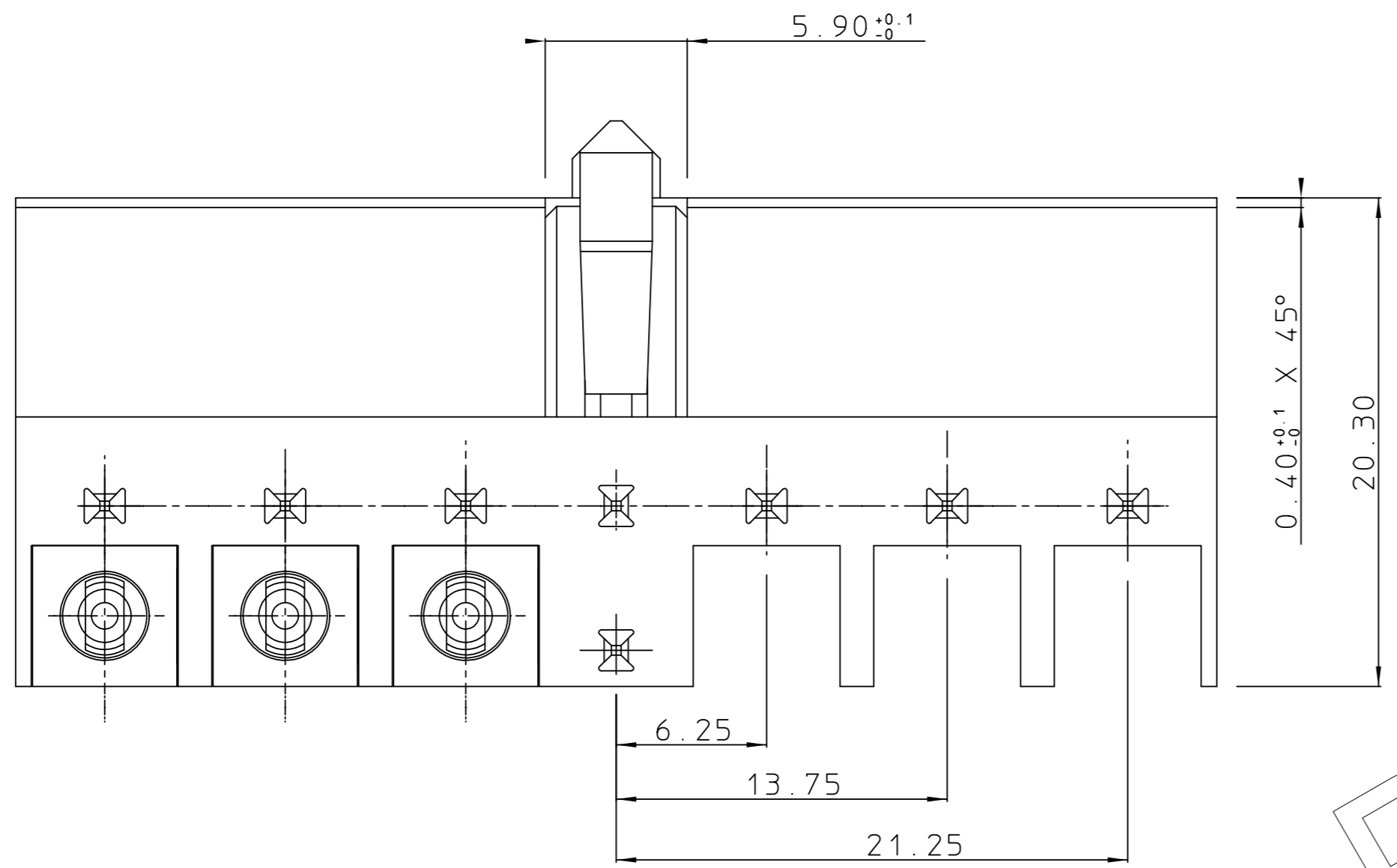


GEN. ST.	01	02	03	04	05	06	07	08	0D	50	60	70	80	90																	
INT. ST.	10	11	12	13	14	18	20	31	32	33	34	38	39	40	42	43	44	45	46	48	56	70	72	73	75	76	81	82	83	84	88

REV.	DATE	DESCRIPTION	BY	C'K'D'
A	14-09-01	CONVERSION REVISION 01	KN	

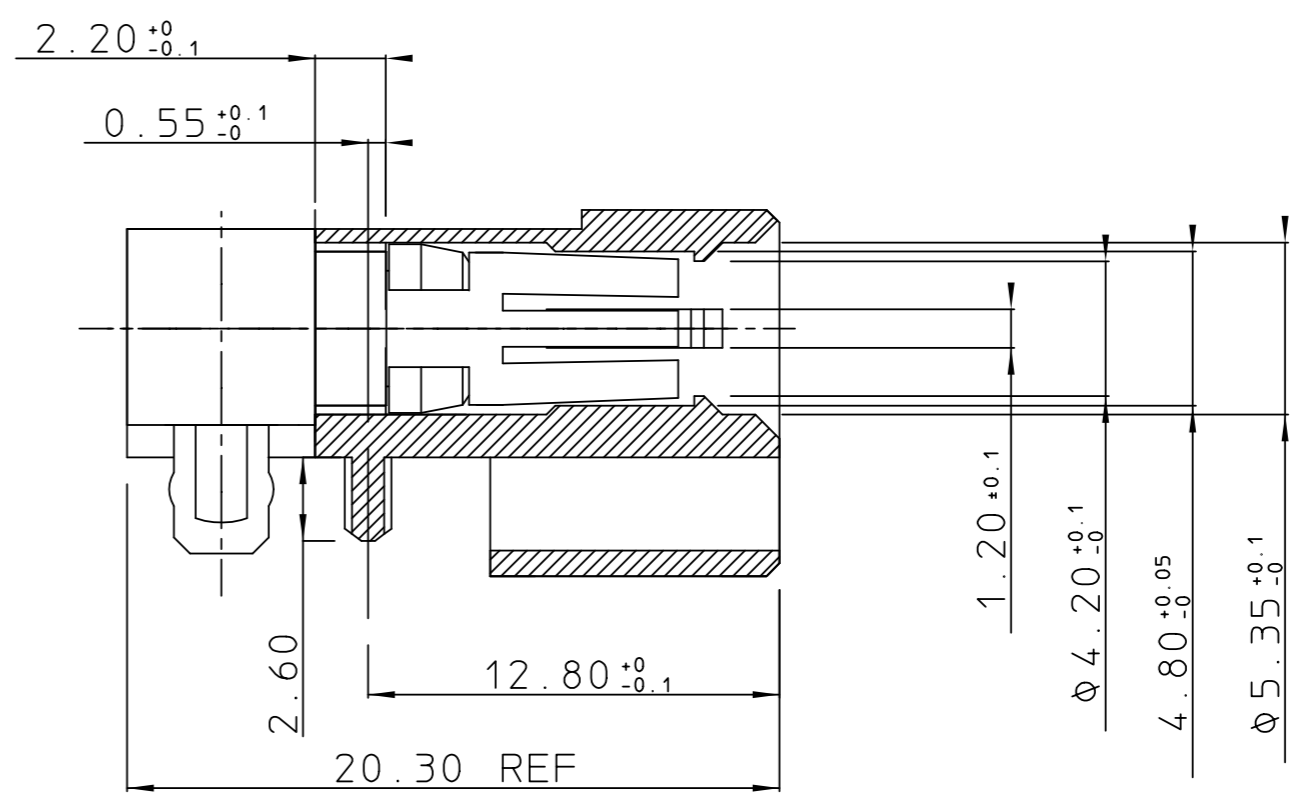
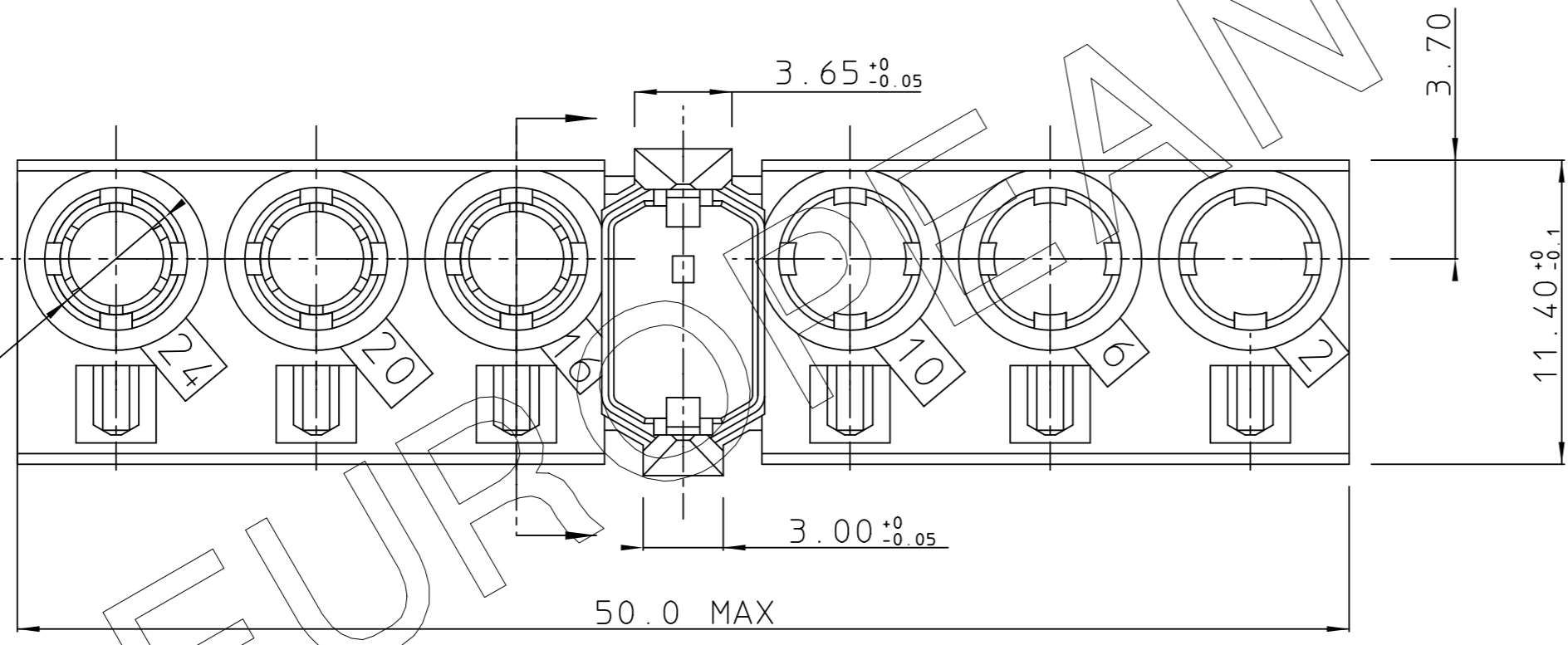


NOTES:

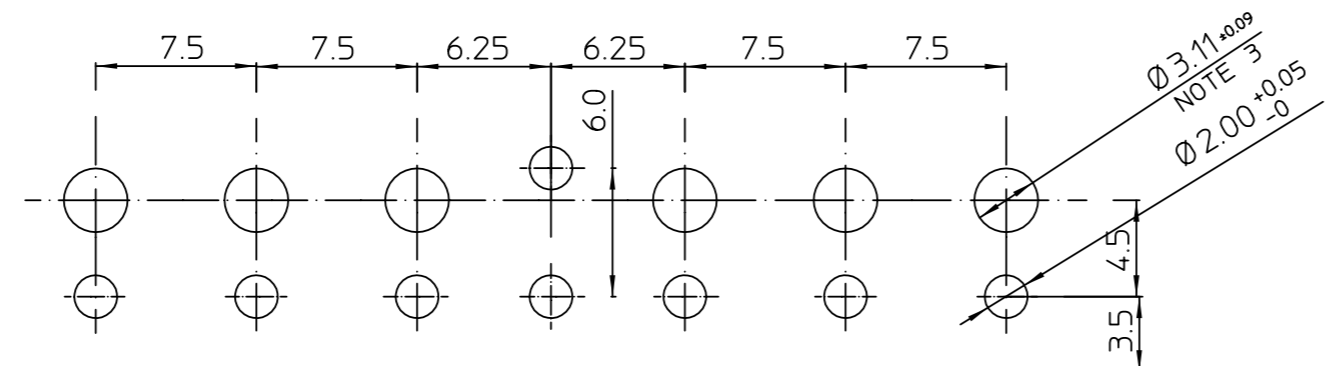
1. THIS PRODUCT IS UL RECOGNIZED. THIS PRODUCT IS CSA APPROVED.
2. FOR PRE-ASSEMBLED POWER PRESS-FIT CONTACT DETAIL, SEE DRAW.NR.: BS,A ,201624,020
3. PCB HOLE DEFINITION:

Ø drilled hole	Cu plating	SnPb plating	Ø finished hole after reflow
3.19 - 3.25	25 µm min.	5 µm min.	3.02 - 3.20

4. PLATING: 1.5µm Au over 2.0µm Ni
5. ALLOWED PCB THICKNESS: MIN 1.6 MM.



LAY-OUT P.C.B. - HOLE



EDGE OF P.C. BOARD

THIS IS OUR EXCLUSIVE PROPERTY. IT IS NOT TO BE COPIED, REPRINTED OR DISCLOSED TO A THIRD PARTY, NOR USED FOR MANUFACTURING WITHOUT OUR WRITTEN CONSENT, AND HAS TO BE RETURNED TO US IN CASE OF NO USAGE

DIT IS ONZE EIGENDOM EN MAG NOCH NAGEMAAKT, HERDRUKT, OVERGEMAAKT AAN DERDEN, NOCH VOOR FABRIKATIE GEBRUIKT WORDEN, ZONDER ONZE SCHRIFTELIJKE TOELATING. BIJ NIET GEBRUIK IS TERUGZENDING VERPLICHT.

FEMALE PRE-ASSEMBLED POWER PRESS-FIT CONNECTOR.

1DEC ±0,2 1DEC 2DEC ±0,1 2DEC ANGLES ±1° HOEKEN	APPR.	DATE	SIGN.	MILLIPACS 2 / TYPE L / PRE-ASS.CONN.
	DRAFT	08-10-98	M.Fret	CAT. No. HM2E30PH6020
WE RESERVE THE RIGHT TO CHANGE DIMENSIONS OR REQUIREMENTS WITHOUT PRIOR NOTICE.	CHECKED			SCALE
ALL DIMENSIONS IN MM	PROD. MGR.			3 / 1
	PR. ENG. MGR.			FCI MECHELEN N.V. A. SPINOYSTRAAAT 8, 2800 MECHELEN
	PR. MGT. MGR.			
ALLE AFMETINGEN IN MM	REFERENCES / REFERENTIES			BS,C , 202444 , 006
				DRAWING No. CUSTOMER DRAWING REVISION