

2.0mm (0.079") Shrouded Header

(Double Row)

1232 Series

APPLICATION AND FEATURES

- Standoffs facilitate post soldering clean.
- Mate with 2.0mm pitch P.C.Board Female Connector and shunt connector.

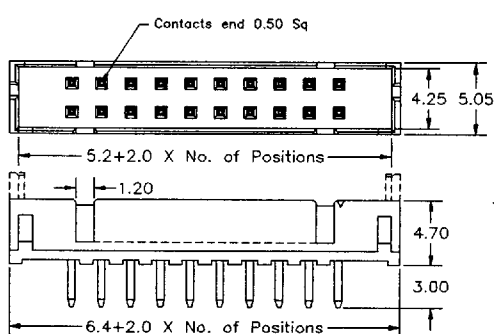
Finish: Tin, Gold or Selective gold.

© Note:

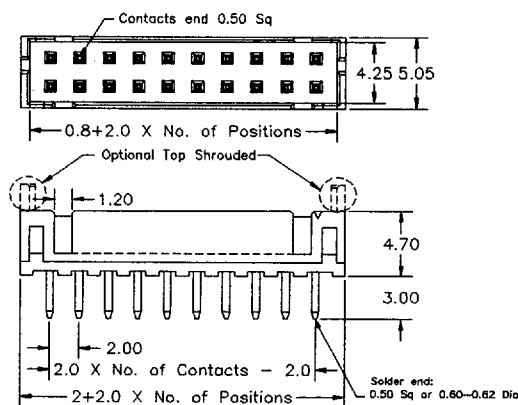
Selective gold: gold plated on contact area,
Tin on solder area

SPECIFICATIONS

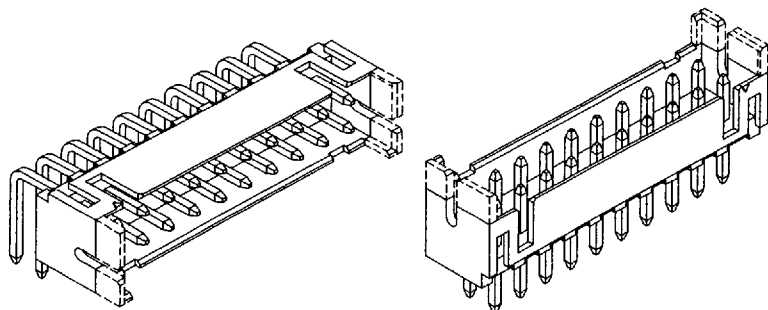
Current Rating: 1 Amps
 Insulator resistance: 5000 Megohms min.
 Dielectric withstanding: AC 500 V
 Operating Temperature: -40° - +105°C
 Contact Material: Brass or Phosphor bronze
 Insulator Material: Polyester, UL 94V-0
 © Standard: Nylon



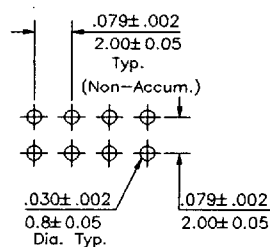
B: Cable Type



A: Connector Type



Recommended P.C.Board
Hole Layout



Order Information 1232 Series

Example: 1232 - A - 20 - S - 02 - 1 - 0:W/O Optional Top Shrouded
 1:W Optional Top Shrouded

Series No.

1232

Strip Type

Connector (Type)

A

Cable (Type)

B

Number of Contacts

08 to 60 Contacts

Connector Type

Straight

S

Right Angle

R

Contact Plating

Tin Plated

01

Gold Plated

Flash

02

10 μ"

10

30 μ"

30