

✓ 54/74173 011539  
 ✓ 54LS/74LS173 011540

**4-BIT D-TYPE REGISTER**  
 (With 3-State Outputs)

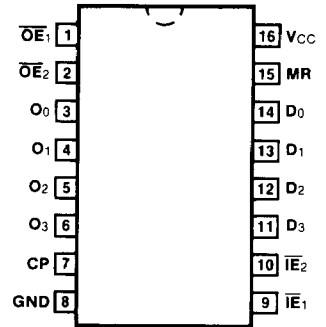
**DESCRIPTION** — The '173 is a high speed 4-bit register featuring 3-state outputs for use in bus-organized systems. The clock is fully edge-triggered allowing either a load from the D inputs or a hold (retain register contents) depending on the state of the Input Enable lines ( $\overline{IE}_1$ ,  $\overline{IE}_2$ ). A HIGH on either Output Enable line ( $\overline{OE}_1$ ,  $\overline{OE}_2$ ) brings the output to a high impedance state without affecting the actual register contents. A HIGH on the Master Reset (MR) input resets the register regardless of the state of the Clock (CP), the Output Enable ( $\overline{OE}_1$ ,  $\overline{OE}_2$ ) or the Input Enable ( $\overline{IE}_1$ ,  $\overline{IE}_2$ ) lines.

- FULLY EDGE-TRIGGERED
- 3-STATE OUTPUTS
- GATED INPUT AND OUTPUT ENABLES

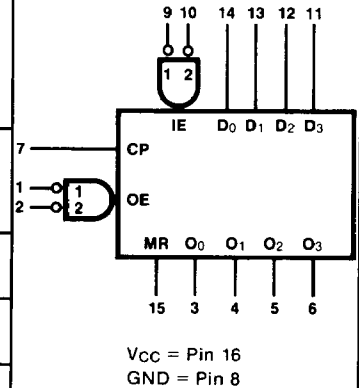
**ORDERING CODE:** See Section 9

PKGS	PIN OUT	COMMERCIAL GRADE	MILITARY GRADE	PKG TYPE
		V <sub>CC</sub> = +5.0 V ±5%, T <sub>A</sub> = 0°C to +70°C	V <sub>CC</sub> = +5.0 V ±10%, T <sub>A</sub> = -55°C to +125°C	
Plastic DIP (P)	A	74173PC, 74LS173PC		9B
Ceramic DIP (D)	A	74173DC, 74LS173DC	54173DM, 54LS173DM	7B
Flatpak (F)	A	74173FC, 74LS173FC	54173FM, 54LS173FM	4L

**CONNECTION DIAGRAM**  
 PINOUT A



**LOGIC SYMBOL**



**INPUT LOADING/FAN-OUT:** See Section 3 for U.L. definitions

PIN NAMES	DESCRIPTION	54/74 (U.L.) HIGH/LOW	54/74LS (U.L.) HIGH/LOW
D <sub>0</sub> — D <sub>3</sub>	Data Inputs	1.0/1.0	0.5/0.25
$\overline{IE}_1$ , $\overline{IE}_2$	Input Enable Inputs (Active LOW)	1.0/1.0	0.5/0.25
$\overline{OE}_1$ , $\overline{OE}_2$	3-State Output Enable Inputs (Active LOW)	1.0/1.0	0.5/0.25
CP	Clock Pulse Input (Active Rising Edge)	1.0/1.0	0.5/0.25
MR	Asynchronous Master Reset Input (Active HIGH)	1.0/1.0	0.5/0.25
O <sub>0</sub> — O <sub>3</sub>	3-State Outputs	130/10 (50)	65/5.0 (25)/(2.5)



**DC CHARACTERISTICS OVER OPERATING TEMPERATURE RANGE** (unless otherwise specified)

SYMBOL	PARAMETER	54/74		54/74LS		UNITS	CONDITIONS
		Min	Max	Min	Max		
I <sub>os</sub>	Output Short Circuit Current	-30	-70	-20	-100	mA	V <sub>CC</sub> = Max
I <sub>cc</sub>	Power Supply Current	72		28		mA	V <sub>CC</sub> = Max, MR = $\overline{L}$ CP, $\overline{OE}_1 = 4.5\text{ V}$ $\overline{OE}_2, \overline{IE}_1, \overline{IE}_2, D_n = \text{Gnd}$

**AC CHARACTERISTICS:** V<sub>CC</sub> = +5.0 V, T<sub>A</sub> = +25°C (See Section 3 for waveforms and load configurations)

SYMBOL	PARAMETER	54/74		54/74LS		UNITS	CONDITIONS
		C <sub>L</sub> = 50 pF R <sub>L</sub> = 400 Ω		C <sub>L</sub> = 15 pF			
		Min	Max	Min	Max		
f <sub>max</sub>	Maximum Clock Frequency	25		30		MHz	Figs. 3-1, 3-8
t <sub>PLH</sub> t <sub>PHL</sub>	Propagation Delay CP to O <sub>n</sub>	43 31		40 25		ns	
t <sub>PHL</sub>	Propagation Delay, MR to O <sub>n</sub>	27		25		ns	Figs. 3-1, 3-16
t <sub>PZH</sub> t <sub>PZL</sub>	Output Enable Time	30 30		20 20		ns	Figs. 3-3, 3-11, 3-12 R <sub>L</sub> = 2 kΩ ('LS173)
t <sub>PHZ</sub> t <sub>PLZ</sub>	Output Disable Time	14 20		16 16		ns	Figs. 3-3, 3-11, 3-12 R <sub>L</sub> = 2 kΩ ('LS173) C <sub>L</sub> = 5 pF

**AC OPERATING REQUIREMENTS:** V<sub>CC</sub> = +5.0 V, T<sub>A</sub> = +25°C

SYMBOL	PARAMETER	54/74		54/74LS		UNITS	CONDITIONS
		Min	Max	Min	Max		
t <sub>s</sub> (H) t <sub>s</sub> (L)	Setup Time HIGH or LOW D <sub>n</sub> to CP	10 10		10 10		ns	Fig. 3-6
t <sub>h</sub> (H) t <sub>h</sub> (L)	Hold Time HIGH or LOW D <sub>n</sub> to CP	10 10		10 10		ns	
t <sub>s</sub> (H) t <sub>s</sub> (L)	Setup Time HIGH or LOW $\overline{IE}$ to CP	17 17		17 17		ns	
t <sub>h</sub> (H) t <sub>h</sub> (L)	Hold Time HIGH or LOW $\overline{IE}$ to CP	2.0 2.0		2.0 2.0		ns	
t <sub>w</sub> (L)	CP Pulse Width LOW	20		17		ns	
t <sub>w</sub> (H)	MR Pulse Width HIGH	20		17		ns	Fig. 3-16
t <sub>rec</sub>	Recovery Time, MR to CP	10		15		ns	