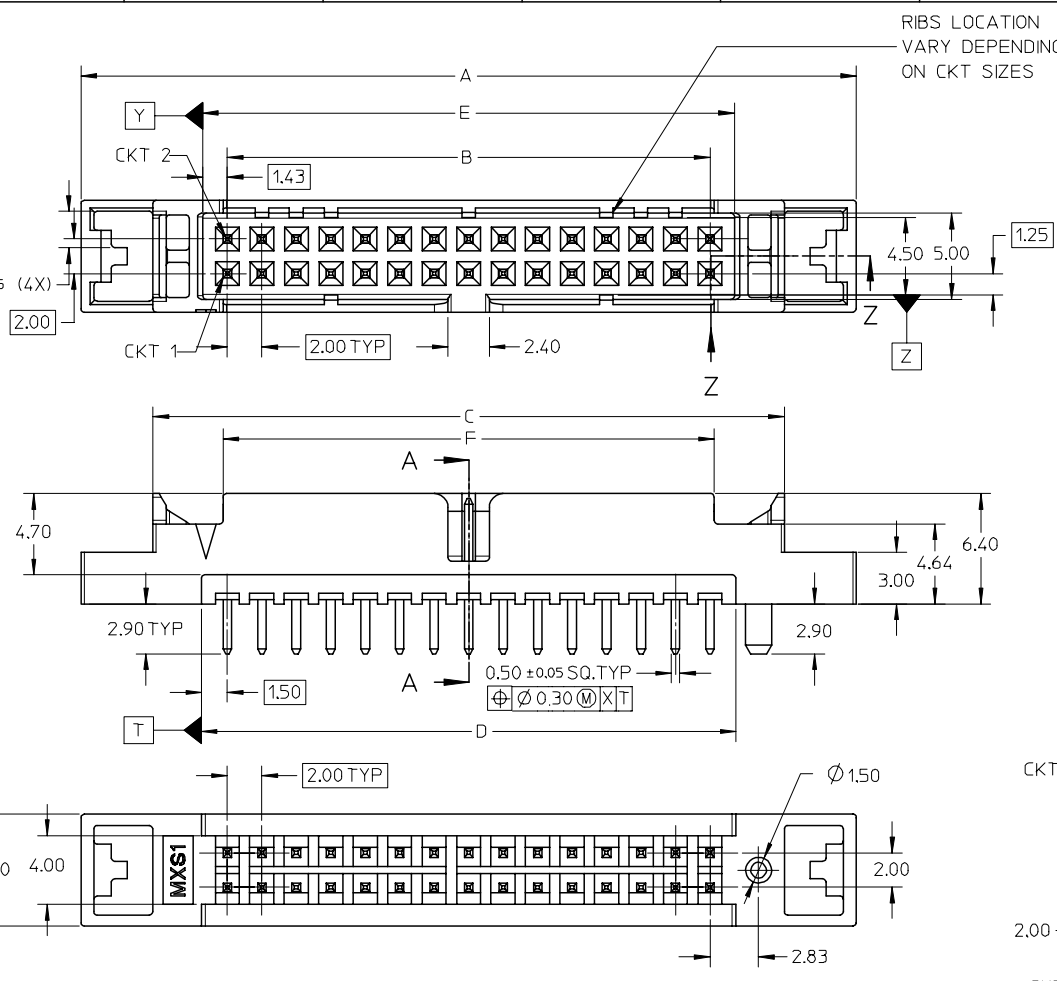
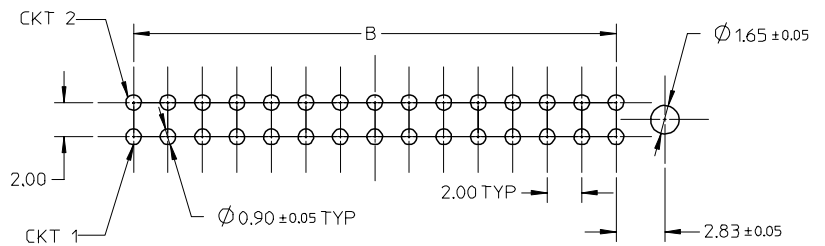
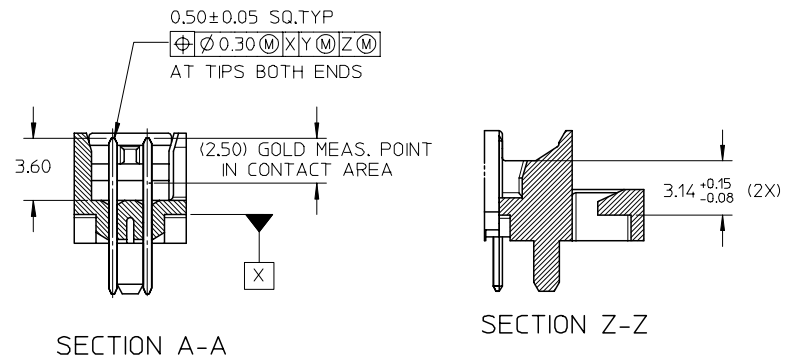


10 9 8 7 6 5 4 3 2 1



PART NUMBER	CKT SIZE	DIMENSION					
		A	B	C	D	E	F
87982-3030	30	45.00	28.00	36.65	31.00	30.85	28.50
87982-3040	40	55.00	38.00	46.65	41.00	40.85	38.50
87982-3044	44	59.00	42.00	50.65	45.00	44.85	42.50
87982-3050	50	65.00	48.00	56.65	51.00	50.85	48.50



- NOTES:
- MATERIAL :
HOUSING : PA, GLASS FILLED, UL94V-0, COLOR BLACK.
PIN : PHOSPHOR BRONZE.
 - PLATING:
0.38μM GOLD IN CONTACT AREA AND 1.88μM MIN. TIN IN SOLDER TAIL AREA OVER 1.27μM MIN. NICKEL OVERALL.
 - FOR ILLUSTRATION PURPOSE, 30 CIRCUIT SIZE WAFER IS SHOWN.
 - THIS IS A LEAD-FREE PRODUCT.
 - PRODUCT SPECIFICATION : PS-87981-018
 - PRODUCTS ARE PACKED IN TUBE.
 - PRODUCTS ARE MATED WITH 87985 SERIES.

EC NO: S2006-0516 DRWN: LQ1A0 2005/11/23 CHKD: BOKOK 2005/11/24 APPR: PTLIM 2005/11/25	QUALITY SYMBOLS $\nabla = 0$ $\triangle = 0$	GENERAL TOLERANCES (UNLESS SPECIFIED)		DIMENSION STYLE	SCALE	DESIGN UNITS	THIRD ANGLE PROJECTION	
				MM ONLY	NTS	METRIC		
		4 PLACES	± ---	± ---	DRAWN BY	DATE	TITLE	
		3 PLACES	± ---	± ---	YLQ1A0	2005/06/30	MGRID, SHROUDED HEADER VERTICAL W/EMBOSSED M/LATCH SLOT	
2 PLACES	± 0.2	± ---	2 PLACES	± 0.2	± ---	1 PLACE	± ---	
1 PLACE	± ---	± ---	1 PLACE	± ---	± ---	ANGULAR	± 3 °	
DRAFT WHERE APPLICABLE MUST REMAIN WITHIN DIMENSIONS		SEE TABLE		MATERIAL NO.	DOCUMENT NO.	SHEET NO.		
A1		A3		SD-87982-009		1 OF 1		

9 8 7 6 5 4 3 2 1