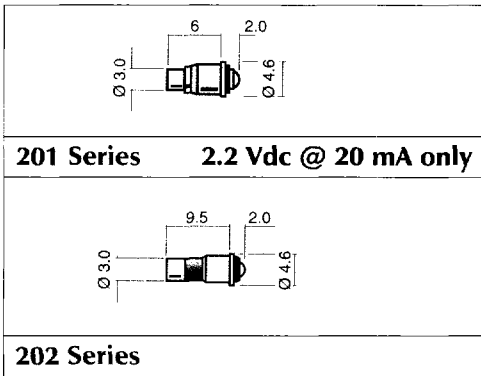


Incandescent Replacement LEDs - Sunlight Readable

T1 Single Chip

Designed to allow "fit and forget" replacement of the less reliable filament bulb, both for new equipment and retro-fit applications. Available in single chip and multi-LED Cluster which all provide high intensity, effective illumination of most types of lens assemblies in illuminated push button switches and lamp holders. Incandescent replacements are manufactured in all the popular lamp base styles and can be operated from a wide range of voltage sources. Outstanding reliability, improved optical matching and colour perception translates into tangible customer benefits in terms of savings in maintenance time and replacement costs. Typical applications include process control instrumentation, fighting vehicle and professional audio/visual studio equipment.



Order Code: **202 - 325 - 22 - 38**

Include in Order Code

Series Options:	LED Options: Code - LED Colour / Intensity at 20 mA	Voltage Options: Code - Voltage / Current
201 Series 2.2 Vdc @ 20 mA only		
201	301 - RED 660 nm 1000 mcd	04 - 2.2 Vdc @ 20 mA
202	325 - YELLOW 590 nm 2000 mcd	20 - 5/6 Vdc @ 15/20 mA
	324 - GREEN 525 nm 2000 mcd	21 - 12 Vdc @ 17 mA
	934 - BLUE 470 nm 1000 mcd	22 - 24 Vdc @ 14 mA
		23 - 28 Vdc @ 12 mA
		24 - 48 Vdc @ 10 mA

T1 3/4 Single Chip

212 Series LES E5	205 Series MG S5.7s	206 Series MF SX6x
208 Series T6.8 SB	209 Series T5.5 SB	211 Series T3 1/4 MES E10
204 Series T1 1/2 and T1 3/4 BP	207 Series WB F9	215 Series T3 1/4 BA9s

Drawing scale 1:1
Dimensions in mm (Typical)
MTBF 100,000 Hours

Order Code: **211 - 501 - 21 - 38**

Operating / Storage Temperature Range -40 to +80 °C
Viewing Angle inclusive - 120 Deg.

Include in Order Code

Series Options:

204 **209**
205 **211**
206 **212**
207 **215**
208

All series are centre anode unless indicated

LED Options:

Code - LED Colour / Intensity at 20 mA

501 - RED 660 nm 3000 mcd
521 - YELLOW 590 nm 2500 mcd
532 - GREEN 525 nm 2000 mcd
930 - BLUE 470 nm 1000 mcd

Intensity figures are for discrete LEDs

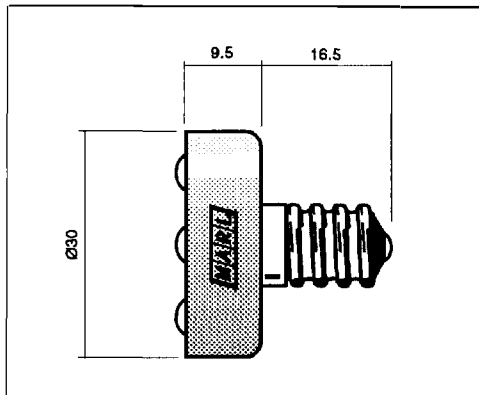
Voltage Options:

Code - Voltage / Current

04 - 2.2 Vdc @ 20 mA
20 - 5/6 Vdc @ 15/20 mA
21 - 12 Vdc @ 20 mA
22 - 24 Vdc @ 20 mA
23 - 28 Vdc @ 17 mA
24 - 48 Vdc @ 10 mA

Incandescent Replacement LEDs

Multi - LED Cluster



226 Series

E12

226 - 750 - 23 Order Code

LED Options:

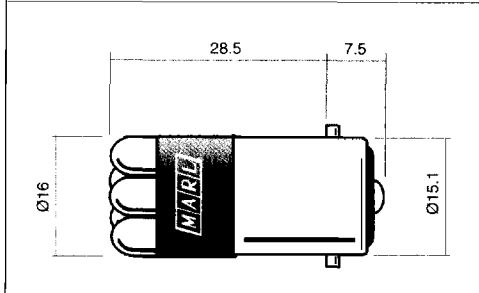
Code - LED Colour / Intensity at 70 mA

750 - RED 655 nm	600 mcd
751 - ORANGE 621 nm	1250 mcd
752 - YELLOW 594 nm	620 mcd

Voltage Options:

Code - Voltage / Current

22 - 24 Vdc @ 25 mA
23 - 28 Vdc @ 17 mA
48 - 60 Vdc @ 14 mA



225 Series

BA 15d

225 - 521 - 23 Order Code

LED Options:

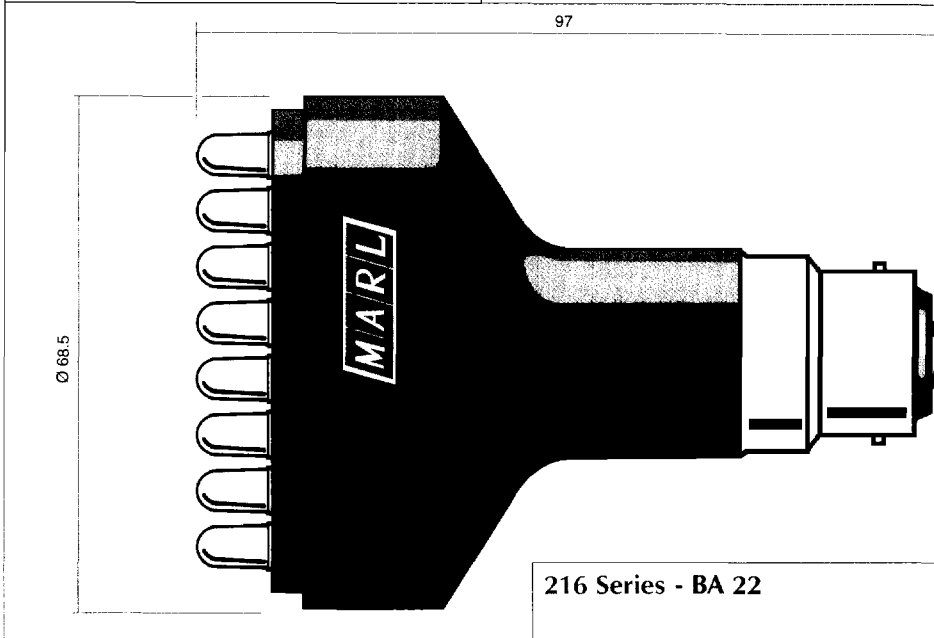
Code - LED Colour / Intensity at 20 mA

501 - RED 660 nm	3000 mcd
521 - YELLOW 590 nm	2500 mcd
532 - GREEN 525 nm	2000 mcd
930 - BLUE 470 nm	1000 mcd

Voltage Options:

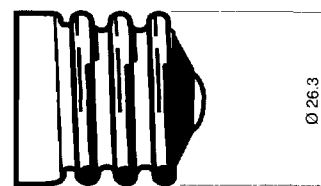
Code - Voltage / Current

22 - 24 Vdc @ 25 mA
23 - 28 Vdc @ 17 mA
48 - 60 Vdc @ 14 mA



216 Series - BA 22

20 LED Multi-Cluster



217 Series - E27
218 Series - E28

Drawing scale 1:1
Dimensions in mm (Typical)
MTBF 80,000 Hours

Operating / Storage Temperature Range -10 to +40 °C
Viewing Angle inclusive - 120 Deg.

Order Code: **216 - 501 - 75 - 65**

Include in Order Code

Series Options:

- 216
- 217
- 218

All Series where applicable are centre anode

LED Options:

Code - LED Colour / Intensity at 10 mA

501 - RED 660 nm	3000 mcd
521 - YELLOW 590 nm	2500 mcd
532 - GREEN 525 nm	2000 mcd
930 - BLUE 470 nm	1000 mcd

Voltage Options:

Code - Voltage / Current

22 - 24 Vdc @ 25 mA
24 - 48 Vdc @ 25 mA
25 - 110 Vdc @ 23 mA
75 - 110 Vac @ 23 mA
76 - 240 Vac @ 25 mA