

D-SUB ~ RIGHT ANGLE

DNRI SERIES

9.4mm Footprint

MATERIAL

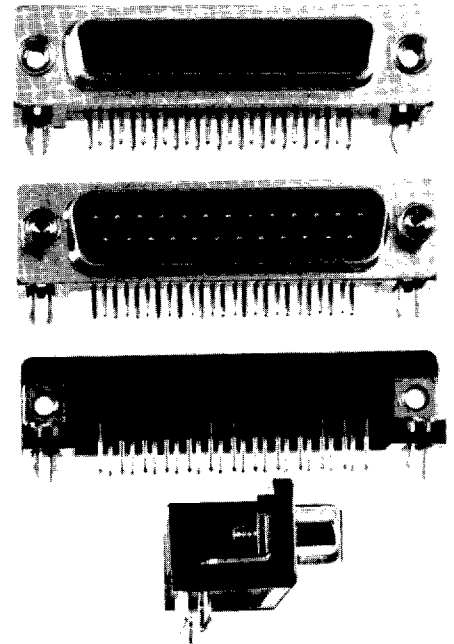
Insulator: Black PBT (UL 94V-0)
Contact: Copper Alloy
Contact Plating: Gold Over Nickel (see "Plating Option" below)
Shell: Steel, with Tin Plating
Hardware Plating: Jackscrew and Clinch Nut ~ Nickel Over Brass
L Bracket and Board Lock ~ Tin Over Brass

SPECIFICATIONS

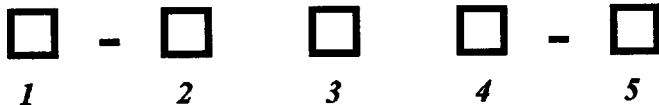
Current Rating: 5A
Insulator Resistance: 1000 M Ω Min at 500V DC
Voltage Rating: 1000V for one minute
Operating Temperature: -55°C - +150°C

FEATURES

- ♦ European style "intermediate" 9.4mm footprint
- ♦ Will mate to industrial standard "D" subminiature connectors
- ♦ Can be directly installed over the PCB trace pattern with no shorting
- ♦ Shielding system helps to reduce EMI/RFI emissions from other electronic equipments
- ♦ Special hardware options available (see "Mounting Option" below)
- ♦ **Mating Series:** DN, DNS, DNP, DNC, DNR, DNRI, DNRL, DNDP, DNF



HOW TO ORDER:



1. **SERIES**
DNRI = D-Sub, Right Angle
(9.4mm Footprint)

2. **POSITION**
09 = 9 Position
15 = 15 Position
25 = 25 Position
37 = 37 Position

3. **GENDER**
P = Plug (Male)
S = Socket (Female)

4. **MOUNTING OPTION***
JL = Jack Screw with L Bracket
JB = Jack Screw with Board Lock
CL = Clinch Nut (4-40) with L Bracket
CB = Clinch Nut (4-40) with Board Lock
CJL = Clinch Nut (4-40) and Jack Screw with L Bracket
CJB = Clinch Nut (4-40) and Jack Screw with Board Lock

*NOTE: See illustrations on page 30.

5. **PLATING OPTION**
SG = Selective Gold Flash
SG15 = Selective Gold, 15 μ "
SG30 = Selective Gold, 30 μ "
SG50 = Selective Gold, 50 μ "
G = Full Gold Flash
G15 = Full Gold, 15 μ "
G30 = Full Gold, 30 μ "

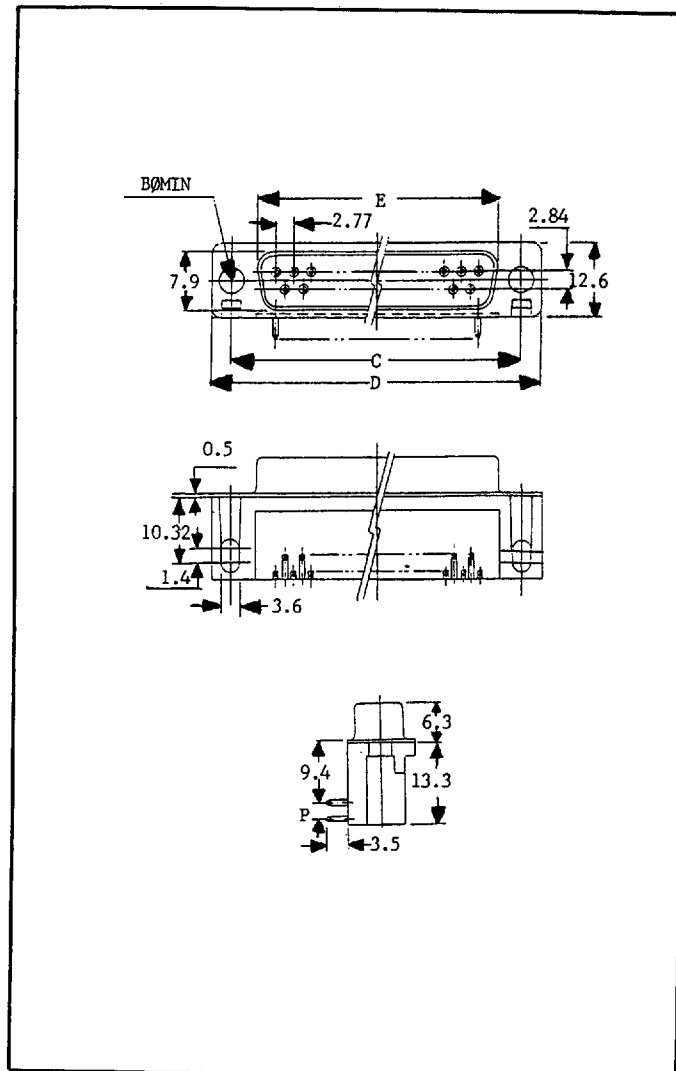
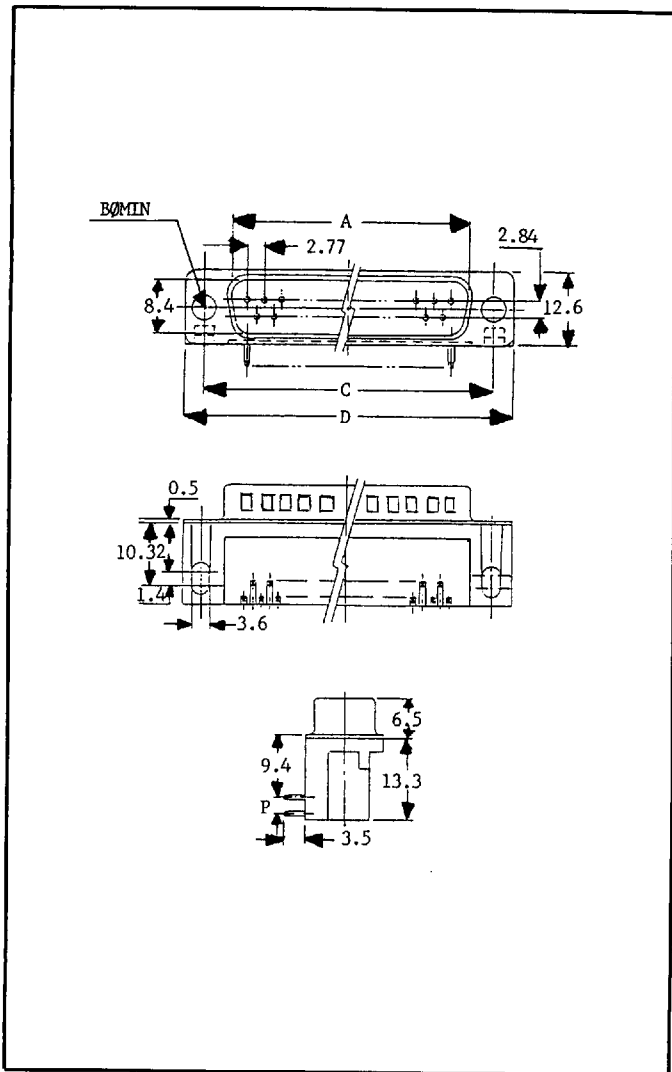
D-SUB ~ RIGHT ANGLE
9.4mm Footprint

DNRI SERIES

SPECIFICATIONS:

MALE

FEMALE



DIMENSIONS:

POSITION	A	B	C	D	E	P
9	16.90	3.05	24.99	30.80	16.26	2.54
15	25.16	3.05	33.32	39.10	24.59	2.54
25	38.90	3.05	47.04	53.00	38.60	2.54
37	55.40	3.05	63.50	69.30	54.80	2.54

ENGINEERS: For detailed Data Sheets, including *tolerances*, see pages 157 & 159 or call us!

MOUNTING OPTIONS

RIGHT ANGLE D-SUBS

***SERIES: DNR, DNRI, DNRL, DNHR, DNDP**

