

Product Features

- DC – 4 GHz
- +19 dBm P1dB at 1 GHz
- +34 dBm OIP3 at 1 GHz
- 19 dB Gain at 1 GHz
- 5.5 dB Noise Figure at 2 GHz
- Available in SOT-86, SOT-89 and lead-free / green SOT-89 Package Styles
- Internally matched to 50 Ω

Applications

- Mobile Infrastructure
- CATV / DBS
- W-LAN / ISM
- RFID
- Defense / Homeland Security
- Fixed Wireless

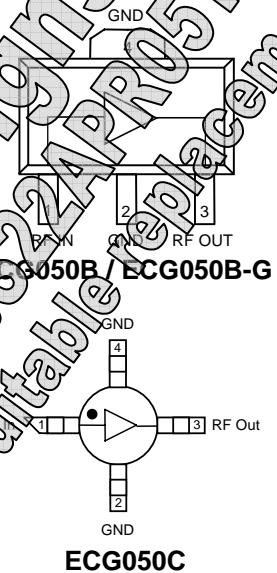
Product Description

The ECG050 is a general-purpose buffer amplifier that offers high dynamic range in a low-cost surface-mount package. At 1000 MHz, the ECG050 typically provides 19 dB of gain, +34 dBm Output IP3, and +19 dBm P1dB.

The ECG050 consists of Darlington pair amplifiers using the high reliability InGaP/GaAs HBT process technology and only requires DC-blocking capacitors, a bias resistor, and an inductive RF choke for operation. The device is ideal for wireless applications and is available in low-cost surface-mountable plastic SOT-86 and SOT-89 packages. The ECG050 is also available in a lead-free/green/RoHS-compliant SOT-89 package. All devices are 100% RF and DC tested.

The broadband MMIC amplifier can be directly applied to various current and next generation wireless technologies such as GPRS, GSM, CDMA, and W-CDMA. In addition, the ECG050 will work for other various applications within the DC to 4 GHz frequency range such as radar and fixed wireless.

Functional Diagram



Specifications ⁽¹⁾

Parameter	Units	Min	Typ	Max
Operational Bandwidth	MHz	DC		4000
Test Frequency	MHz		500	
Gain	dB		19	
Output P1dB	dBm		+19	
Output IP3 ⁽²⁾	dBm		+34	
Test Frequency	MHz		2000	
Gain	dB		19	
Input Return Loss	dB		15	
Output Return Loss	dB		15	
Output P1dB	dBm		+19	
Output IP3 ⁽²⁾	dBm		+34	
Noise Figure	dB		4	
Device Voltage	V	4.5	5.0	5.2
Device Current	mA		70	

1. Test conditions unless otherwise noted: T = 25°C, Supply Voltage = +6 V, R_{bias} = 14 Ω, 50 Ω System.
 2. 3OIP measured with two tones at an output power of +4 dBm/ tone separated by 1 MHz. The suppression on the largest IM3 product is used to calculate the 3OIP using a 2:1 rule.

Typical Performance ⁽³⁾

Parameter	Units	Typical			
Frequency	MHz	500	900	1900	2140
Gain	dB	20	19.2	17	16
Output P1dB	dBm	-17	-18	-19	-20
Output IP3	dBm	-15	-15	-15	-15
Output P1dB	dBm	+18	+19	+18.5	+18.2
Output IP3	dBm	+33	+34	+31	+30.5
Noise Figure	dB	3.5	4	5.4	3.8

3. Test conditions: T = 25°C, Supply Voltage = +6 V, Device Voltage = +5.0V, R_{bias} = 14 Ω, 50 Ω System.

Absolute Maximum Rating

Parameter	Rating
Operating Case Temperature	-40 to +85 °C
Storage Temperature	-65 to +150 °C
RF Input Power (continuous)	+12 dBm
Device Current	150 mA
Junction Temperature	+250 °C

Operation of this device above any of these parameters may cause permanent damage.

Ordering Information

Part No.	Description
ECG050B	InGaP HBT Gain Block (lead-tin SOT-89 Pkg)
ECG050B-G	InGaP HBT Gain Block (lead-free/green/RoHS-compliant SOT-89 Pkg)
ECG050C	InGaP HBT Gain Block (SOT-86 Pkg)

Specifications and information are subject to change without notice

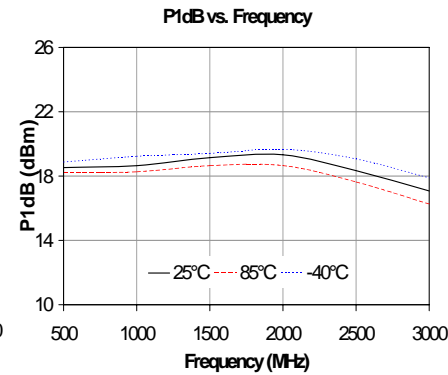
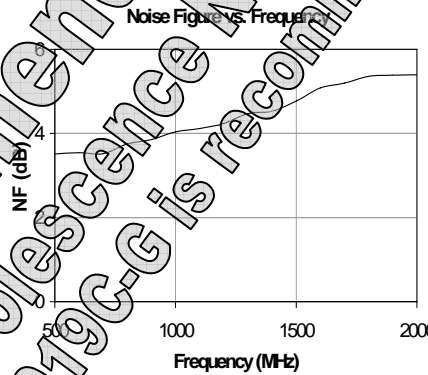
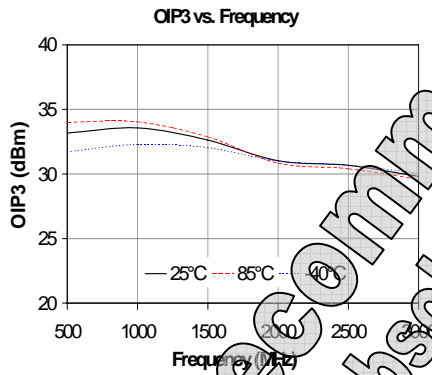
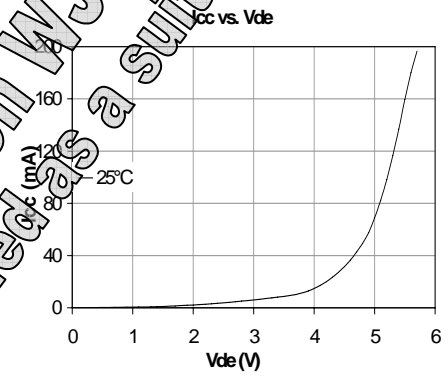
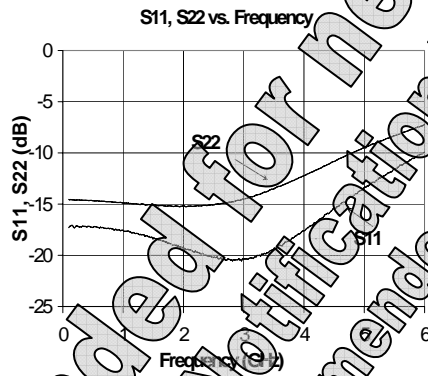
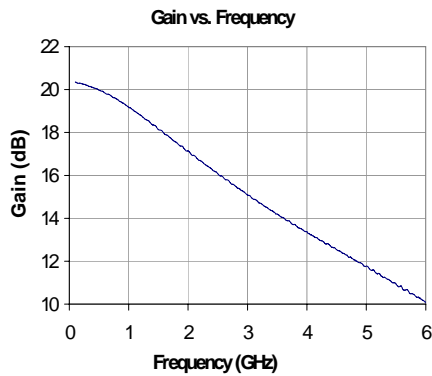


Typical Device RF Performance

Supply Bias = +6 V, $R_{bias} = 14 \Omega$, $I_{cc} = 70 \text{ mA}$

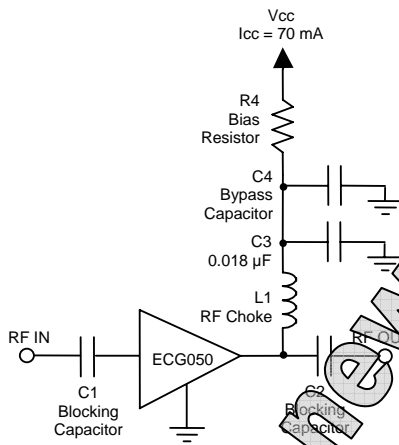
Frequency	MHz	100	500	900	1900	2140	2400	3500	5000
S21	dB	20.4	20	19.2	17.2	16.7	16.1	14.3	12.2
S11	dB	-17	-17	-18	-19	-20	-20	-18	-18
S22	dB	-15	-15	-15	-15	-15	-15	-15	-15
Output P1dB	dBm	+18	+18	+19	+18.7	+18.2	+17.5	+12.2	+12.2
Output IP3	dBm	+33	+33	+34	+31	+30.5	+29	+29	+29
Noise Figure	dB	3.4	3.5	4	5.4	5.8	6.2	6.2	6.2

1. Test conditions: $T = 25^\circ \text{C}$, Supply Voltage = +6 V, Device Voltage = 5.0 V, $R_{bias} = 14 \Omega$, $I_{cc} = 70 \text{ mA}$ typical, 50Ω System.
2. 3OIP measured with two tones at an output power of +4 dBm/tone separated by 1 MHz. The suppression on the largest IM3 product is used to calculate the 3OIP using the table.
3. Data is shown as device performance only. Actual implementation for the desired frequency band will be determined by external components shown in the application circuit.



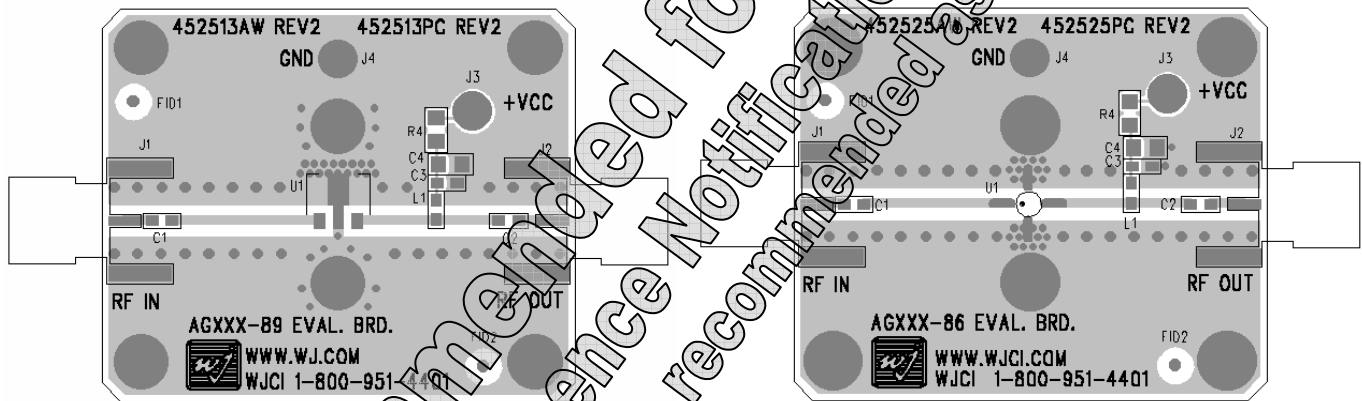
Not recommended for new designs
Refer to Product Obsolescence Notification WJCBS22APR05TC1
The EC1019B-G or EC1019C-G is recommended as a suitable replacement

Recommended Application Circuit



ECG050B-PCB

ECG050C-PCB



Recommended Component Values

Reference Designator	Frequency (MHz)						
	50	500	900	1500	2200	2500	3500
L1	820 nH	220 nH	50 nH	27 nH	22 nH	18 nH	15 nH
C1, C2, C4	.018 µF	1000 pF	100 pF	68 pF	68 pF	56 pF	39 pF

1. The proper values for the components are dependent upon the intended frequency of operation.
2. The following values are contained on the evaluation boards to achieve optimal broadband performance:

Ref. Desig.	Value / Tolerance	Size
C1	18 nH wirewound inductor	0603
C2	56 pF chip capacitor	0603
C3	0.018 µF chip capacitor	0603
C4	1000 pF	0603
R4	14.3 1% tolerance	0805

Recommended Bias Resistor Values

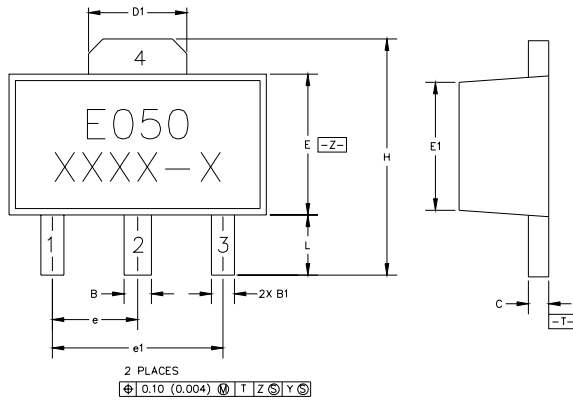
Supply Voltage	R1 value	Size
6 V	14.3 ohms	0805
7 V	28.6 ohms	1210
8 V	43 ohms	1210
9 V	57 ohms	2010
10 V	71 ohms	2010
12 V	100 ohms	2512

The proper value for R1 is dependent upon the supply voltage and allows for bias stability over temperature. WJ recommends a minimum supply bias of +6 V. A 1% tolerance resistor is recommended.

ECG050B (SOT-89 Package) Mechanical Information

This package may contain lead-bearing materials. The plating material on the leads is Sn/Pb.

Outline Drawing



SYMBOL	MIN	MAX
A	1.40 (.055)	1.60 (.063)
B	.44 (.017)	.56 (.022)
B1	.36 (.014)	.48 (.019)
C	.35 (.014)	.44 (.017)
D	4.40 (.173)	4.60 (.181)
D1	1.62 (.064)	1.83 (.072)
E	2.29 (.079)	2.60 (.102)
E1	2.13 (.084)	2.29 (.090)
e	1.50 BSC (.059)	
e1	3.00 BSC (.118)	
H	3.94 (.155)	4.23 (.167)
L	.89 (.035)	1.20 (.047)
M	4.04 (.159)	4.40 (.173)

- NOTES:
1. DIMENSIONS CONFORM WITH JEDEC TO-18 EXCEPT WHERE INDICATED.
 2. DIMENSIONS ARE EXPRESSED IN MILLIMETERS(INCHES).
 3. DIMENSIONING AND TOLERANCING PER ANSI Y14.5M.

Product Marking

The component will be marked with an "E050" designator with an alphanumeric lot code on the top surface of the package.

Part and rework specification for this part are located on our website in the "Application Notes" section.

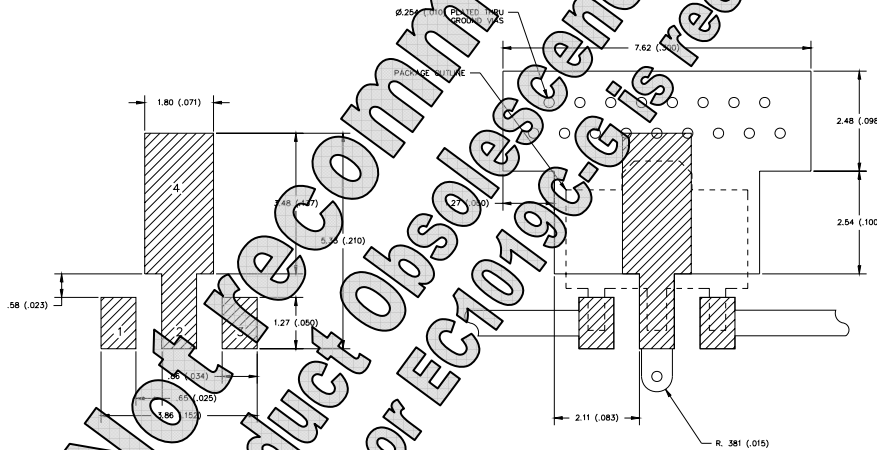
MSL ESD Rating



ESD Rating: Class 1A
Value: Passes between 250 and 500V
Human Body Model (HBM)
Standard: JEDEC Standard JESD22-A114

MSL Rating: Level 3 at +235°C convection reflow
Standard: JEDEC Standard J-STD-020

Land Pattern



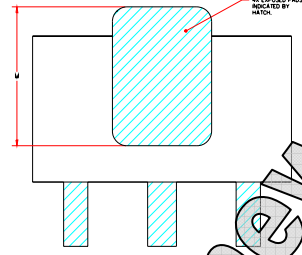
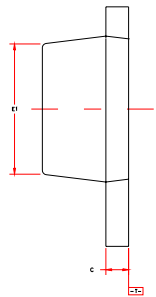
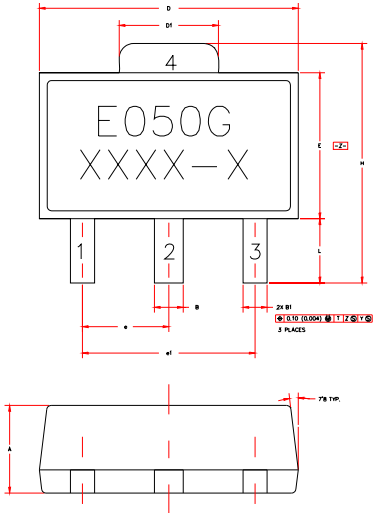
Mounting Config. Notes

1. Ground / thermal vias are critical for the proper performance of this device. Vias should use a .35mm (#80 / .0135") diameter drill and have a final plated thru diameter of .25 mm (.010").
2. Add as much copper as possible to inner and outer layers near the part to ensure optimal thermal performance.
3. Mounting screws can be added near the part to fasten the board to a heatsink. Ensure that the ground / thermal via region contacts the heatsink.
4. Do not put solder mask on the backside of the PC board in the region where the board contacts the heatsink.
5. RF trace width depends upon the PC board material and construction.
6. Use 1 oz. Copper minimum.
7. All dimensions are in millimeters (inches). Angles are in degrees.

ECG050B-G (Green / Lead-free SOT-89 Package) Mechanical Information

This package is lead-free/Green/RoHS-compliant. It is compatible with both lead-free (maximum 260°C reflow temperature) and leaded (maximum 245°C reflow temperature) soldering processes. The plating material on the leads is NiPdAu.

Outline Drawing



NOTES:
1. DIMENSIONS CONFORM WITH JEDEC TO-18-EC EXCEPT WHERE INDICATED.
2. DIMENSIONS ARE EXPRESSED IN MILLIMETERS/INCHES.
3. DIMENSIONS AND TOLERANCES ARE IN MILLIMETERS.

Product Marking

The component will be marked with an "E050G" designator with an alphanumeric lot code on the top surface of the package.

Tape and reel specifications for this part are located on the website in the "Application Note" section.

MSL / ESD Rating

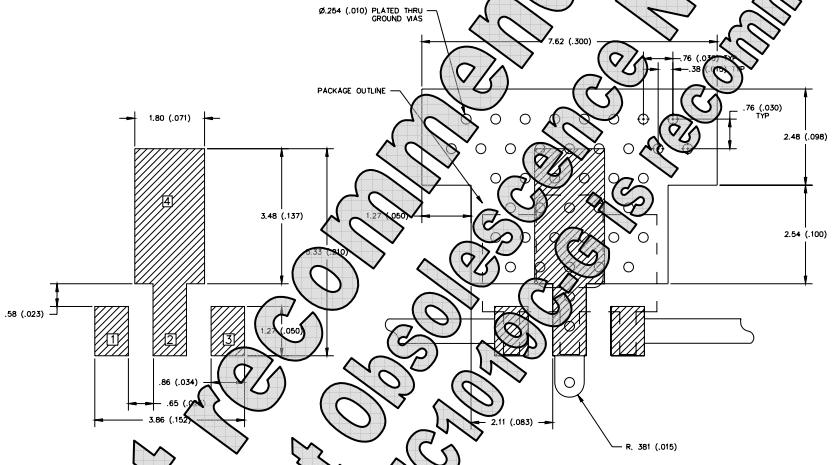


Caution! ESD sensitive device.

- MSL Rating: Class 1A
- Value: Passes between 250 and 500V
- Test: Human Body Model (HBM)
- Standard: JEDEC Standard JESD22-A114

- MSL Rating: Level 3 at +260° C convection reflow
- Standard: JEDEC Standard J-STD-020

Land Pattern



Mounting Config. Notes

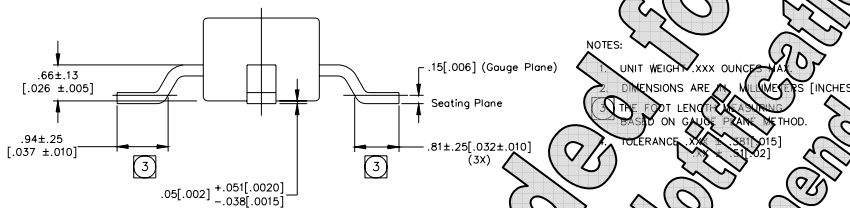
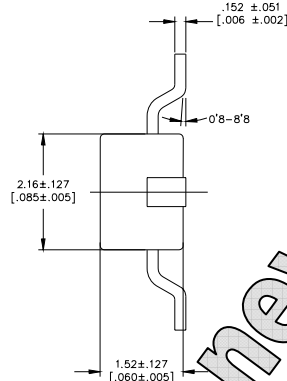
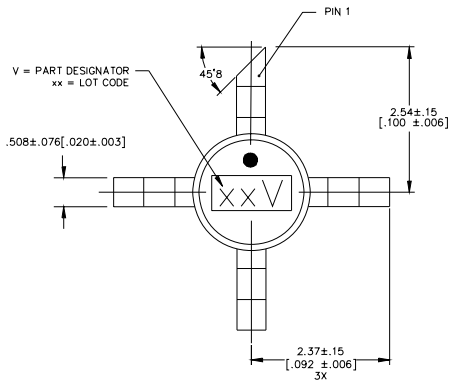
1. Ground / thermal vias are critical for the proper performance of this device. Vias should use a .35mm (#80 / .0135") diameter drill and have a final plated thru diameter of .25 mm (.010").
2. Add as much copper as possible to inner and outer layers near the part to ensure optimal thermal performance.
3. Mounting screws can be added near the part to fasten the board to a heatsink. Ensure that the ground / thermal via region contacts the heatsink.
4. Do not put solder mask on the backside of the PC board in the region where the board contacts the heatsink.
5. RF trace width depends upon the PC board material and construction.
6. Use 1 oz. Copper minimum.
7. All dimensions are in millimeters (inches). Angles are in degrees.

Not Recommended for New Design WJ0522APROJ1
Refer to Product Obsolescence Notification WJ0522APROJ1
The EC1019B-G or EC1019G is recommended as a suitable replacement

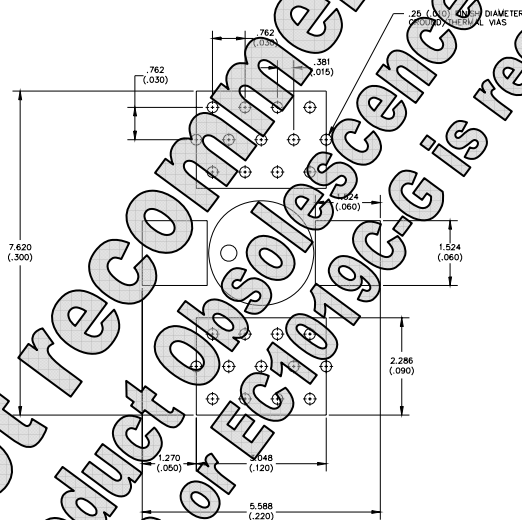


ECG050C (SOT-86 Package) Mechanical Information

Outline Drawing



Land Pattern



Product Marking

The component will be marked with a two-digit numeric lot code followed by a "V" designator on the top surface of the package.

Type and reel specifications for this part are located on the website in the "Application Notes" section.

MSL ESD Rating



Caution! ESD sensitive device.

ESD Rating: Class 1A
 Moisture: Passes between 250 and 500V
 Test: Human Body Model (HBM)
 Standard: JEDEC Standard JESD22-A114

MSL Rating: Level 1 at +235° C convection reflow
 Standard: JEDEC Standard J-STD-020

Mounting Config. Notes

1. Ground / thermal vias are critical for the proper performance of this device. Vias should use a .35mm (#80 / .0135") diameter drill and have a final plated thru diameter of .25 mm (.010").
2. Add as much copper as possible to inner and outer layers near the part to ensure optimal thermal performance.
3. Mounting screws can be added near the part to fasten the board to a heatsink. Ensure that the ground / thermal via region contacts the heatsink.
4. Do not put solder mask on the backside of the PC board in the region where the board contacts the heatsink.
5. RF trace width depends upon the PC board material and construction.
6. Use 1 oz. Copper minimum.
7. All dimensions are in millimeters (inches). Angles are in degrees.



Typical Device S-Parameters – ECG050B / ECG050E-G

S-Parameters ($V_{device} = +5\text{ V}$, $I_{cc} = 70\text{ mA}$, $T = 25^\circ\text{C}$, calibrated to device leads)

Freq (MHz)	S11 (dB)	S11 (ang)	S21 (dB)	S21 (ang)	S12 (dB)	S12 (ang)	S22 (dB)	S22 (ang)
50	-24.67	-3.70	21.16	176.94	-23.25	0.44	-9.85	166.71
500	-23.02	-46.71	20.62	148.95	-22.86	2.51	-7.88	166.71
1000	-20.62	-90.90	19.55	121.77	-21.99	3.04	-5.75	106.94
1500	-18.00	-120.26	18.33	98.78	-20.82	0.20	-3.53	176.27
2000	-15.55	-154.19	17.43	77.57	-19.60	-6.65	-10.50	-164.08
2500	-13.31	173.42	16.53	55.93	-18.78	-15.98	-8.92	169.71
3000	-12.32	144.67	15.45	35.48	-18.21	-25.97	-7.94	142.15
3500	-10.81	116.58	14.33	15.84	-17.75	-35.05	-5.95	121.93
4000	-9.44	93.67	13.19	-3.31	-17.44	45.26	-6.73	211.54
4500	-8.05	72.95	12.09	-20.87	-17.20	55.51	-5.47	83.50
5000	-6.55	55.09	10.89	-38.22	-17.20	66.45	-4.64	67.48
5500	-5.51	39.20	9.64	-54.94	-17.33	-76.61	-4.22	51.93
6000	-4.48	25.52	8.50	-70.62	-17.57	-87.74	-4.02	38.34

Typical Device S-Parameters – ECG050C

S-Parameters ($V_{device} = +5$, $I_{cc} = 70\text{ mA}$, $T = 25^\circ\text{C}$, calibrated to device leads)

Freq (MHz)	S11 (dB)	S11 (ang)	S21 (dB)	S21 (ang)	S12 (dB)	S12 (ang)	S22 (dB)	S22 (ang)
50	-20.98	1.45	20.66	176.82	-22.69	-5.51	-17.49	-2.70
500	-20.20	-4.73	20.19	153.75	-22.90	-3.50	-18.13	-31.56
1000	-19.34	-18.92	19.27	130.28	-21.44	3.25	-18.82	-58.47
1500	-18.54	-33.65	18.09	109.96	-21.62	10.86	-19.01	-89.85
2000	-18.87	-50.53	17.03	92.08	-20.77	12.09	-19.21	-122.43
2500	-19.47	-73.82	15.00	75.80	-19.81	11.53	-18.26	-148.97
3000	-20.32	-97.64	13.02	61.09	-19.79	9.94	-16.38	-175.04
3500	-21.04	-138.52	11.02	46.72	-19.79	6.69	-14.83	166.20
4000	-18.70	-173.90	9.33	32.70	-17.51	2.82	-12.69	150.06
4500	-16.20	159.57	7.38	19.24	-16.83	-2.20	-11.23	134.69
5000	-12.95	137.68	5.64	5.50	-16.30	-7.81	-9.78	122.17
5500	-10.83	123.87	4.07	-8.33	-15.88	-14.30	-8.58	108.98
6000	-8.87	110.42	2.70	-21.11	-15.56	-20.60	-7.59	97.93

Device S-parameters are available for download off of the website at: <http://www.wj.com>