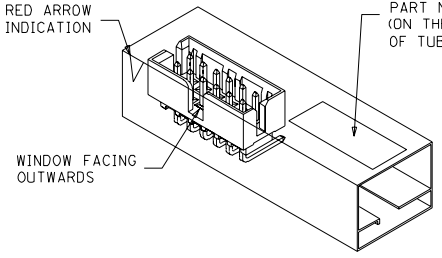
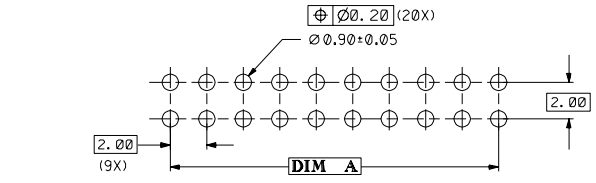
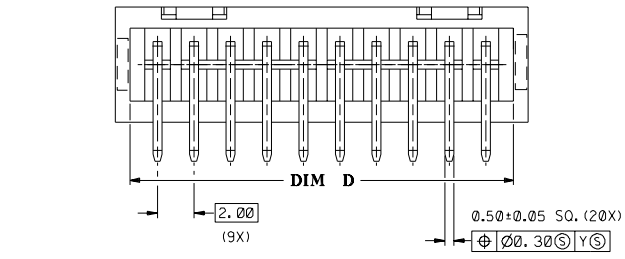
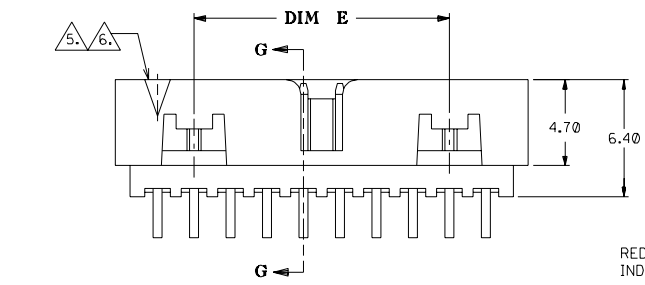
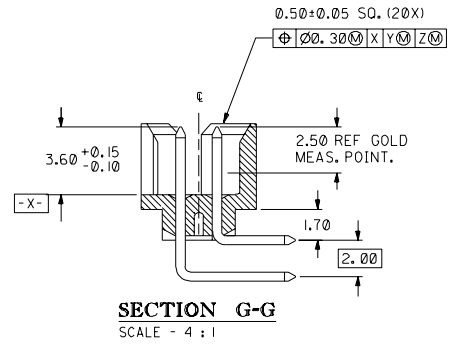
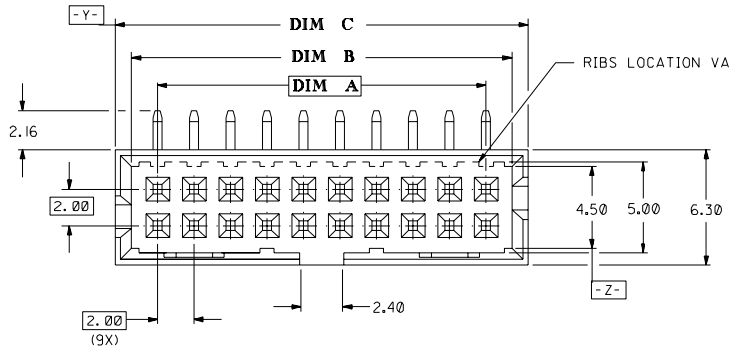


DWG. NO. SD 187333-\*\*-20  
 CAD FILE S8733320.DGN



**FIG. 1 : ORIENTATION OF PART IN TUBE.**  
 (FOR THE REFERENCE OF PART/TUBE ASSEMBLY.)

PLS REFER TO PART 87333-\*\*-3 FOR CENTER LOCKING SLOT OPTION.

PART NO.	CKT SIZE	DIM A	DIM B	DIM C	DIM D	DIM E
87333-042*	4	2.00	4.85	6.65	5.00	---
87333-062*	6	4.00	6.85	8.65	7.00	---
87333-082*	8	6.00	8.85	10.65	9.00	---
87333-102*	10	8.00	10.85	12.65	11.00	---
87333-122*	12	10.00	12.85	14.65	13.00	---
87333-142*	14	12.00	14.85	16.65	15.00	8.00
87333-162*	16	14.00	16.85	18.65	17.00	10.00
87333-182*	18	16.00	18.85	20.65	19.00	12.00
87333-202*	20	18.00	20.85	22.65	21.00	14.00
87333-222*	22	20.00	22.85	24.65	23.00	16.00
87333-242*	24	22.00	24.85	26.65	25.00	18.00
87333-262*	26	24.00	26.85	28.65	27.00	20.00
87333-282*	28	26.00	28.85	30.65	29.00	22.00
87333-302*	30	28.00	30.85	32.65	31.00	24.00
87333-322*	32	30.00	32.85	34.65	33.00	26.00
87333-342*	34	32.00	34.85	36.65	35.00	28.00
87333-362*	36	34.00	36.85	38.65	37.00	30.00
87333-382*	38	36.00	38.85	40.65	39.00	32.00
87333-402*	40	38.00	40.85	42.65	41.00	34.00
87333-422*	42	40.00	42.85	44.65	43.00	36.00
87333-442*	44	42.00	44.85	46.65	45.00	38.00
87333-462*	46	44.00	46.85	48.65	47.00	40.00
87333-482*	48	46.00	48.85	50.65	49.00	42.00
87333-502*	50	48.00	50.85	52.65	51.00	44.00

**NOTES:**

- FOR ILLUSTRATION PURPOSES, 20 CIRCUIT SIZE WAFER IS SHOWN
- NO CENTRE POLARIZATION SLOT FOR CKT SIZE 4 AND 6.
- PRODUCT SPECIFICATION PS-87331 APPLIES.
- NO SIDE LOCKING SLOT FROM 4 TO 12 CKT SIZE.
- CKT\* IDENTIFICATION APPLIES ONLY TO CKT. SIZE 8 THROUGH 50 ONLY. CKT\* IDENTIFICATION MAY OR MAY NOT BE PRESENT ON CKT. SIZE 4 & 6.
- CKT 4 & 6 HAS NO IDENTIFICATION TAG

**PART NUMBER LEGEND :**

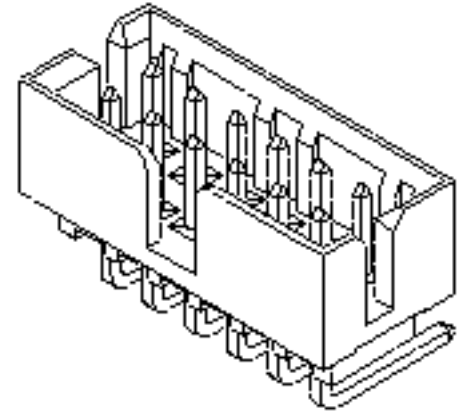
87333 - \*\* - \*\*  
 CKT SIZE    PLATING OPTION  
 20 - 0.38um/15uin GOLD IN CONTACT AREA AND 1.90um/75uin MIN. TIN/LEAD IN SOLDER TAIL AREA OVER 1.27um/50uin MIN. NICKEL OVERALL.  
 21 - 0.76um/30uin GOLD IN CONTACT AREA AND 1.90um/75uin MIN. TIN/LEAD IN SOLDER TAIL AREA OVER 1.27um/50uin MIN. NICKEL OVERALL.

B4	ADD NOTE 6 & SYMBOL (ECN# 2000 -0078)	-	SEE	990810	MATERIAL : HOUSING : 30% G.F. NYLON 46 UL94V-0 COLOR - BLACK	
B3	ADD FIG 1.	S60450	SEE	GMS 960326	PIN : 0.50MM SQ. PHOSPHOR BRONZE	
B2	ADD NOTE 5 AT LOC (08)	S60296	SEE	GMS 951201	FINISH : SEE ABOVE	GENERAL TOLERANCES ± 0.20/008 REV B4 DWG. NO. SD187333-**-20
B1	REVISE PER ECN*	S50078	JACK	SQ. 940818		
B	REVISE PER ECN*	S40584	SEE	TOH 940803	DRAWN BY ANG GW 920612	TITLE : 'MILLI-GRID' R/A SHROUDED HEADER W/SLOT, STANDOFF
A	REVISE PER ECN*	S30634	ANG	TOH 930507		
I	PRE-REL PER ECN*	S30099	ANG	TOH 920612	CHK'D BY TOH SK 920914	
LTR	REVISION RECORD	ECN	DR	CHK	DATE	APPR'D BY R WONG 920914
<b>REVISE ONLY ON CAD SYSTEM</b>						SCALE 4 : 1

DO NOT SCALE DRAWING

[English](#)[Spanish](#)[French](#)[Italian](#)[German](#)[Chinese \(simplified\)](#)[Japanese](#)[Korean](#)**Datasheet**  
**PCB Headers****2.00mm (.079") Pitch Milli-Grid™ Header, Shrouded, Right Angle 87333**[\[ Home > Products > PCB Headers > Datasheet \]](#)[Help](#)

<a href="#">Pitch [mm (inches)]</a>	2.00mm (.079")
<a href="#">Circuits</a>	4, 6, 8, 10, 12, 14, 16, 18, 20, 22, 24, 26, 28, 30, 32, 34, 36, 38, 40, 42, 44, 46, 48, 50
<a href="#">Rows</a>	2
<a href="#">Designed In</a>	Millimeters
<a href="#">Temperature Range</a>	-55°C to +105°C
<a href="#">Plating Contact</a>	0.76µm (30µ") Gold (Au), 15µ" Gold (Au)
<a href="#">Plating PC Tail</a>	Tin/Lead (Sn/Pb)
<a href="#">Under Plating</a>	Nickel (Ni)
<a href="#">Current-max [amps]</a>	2.0A
<a href="#">Voltage-max [volts]</a>	125V
<a href="#">Withstanding Voltage</a>	1000V AC
<a href="#">Insulation Resistance [ohms]</a>	1000 Megohms min.
<a href="#">Header - Orientation</a>	Right Angle
<a href="#">Header - Mounting</a>	Through Hole
<a href="#">Header - PCB Thickness</a>	1.60mm (.063")
<a href="#">Header - Surface Mount Compatible</a>	Yes
<a href="#">Shrouded</a>	Yes
Pin Header	Yes
Pin Size	0.50mm (.020") Square
<a href="#">Header - Product Specification</a>	PS-87331
<a href="#">Header - Packaging</a>	Tube
<a href="#">Header - UL File No.</a>	E29179
<a href="#">Header - CSA File No.</a>	LR19980
<a href="#">Header - Housing Material</a>	Nylon 4/6, Black

**Features and Benefits**

- Sizes 4 to 50 circuits
- Fully shrouded to protect pins during mating/unmating
- Center slot for polarization
- Front latches for mechanical locking
- Center polarization slot (8 to 12 circuits); center polarization slot and front latches (14 to 50 circuits)
- Surface Mount Compatible

<a href="#">Header - Flammability</a>	<b>UL 94V-0</b>
<a href="#">Header - Contact</a>	<b>Phosphor Bronze</b>
<a href="#">Product Name</a>	<b>Milli-Grid™</b>
<a href="#">MX01 Catalog Page</a>	<b>B-24, B-4</b>

[ © Copyright 2001 Molex Incorporated ]