

## ECONOLATCH Connectors



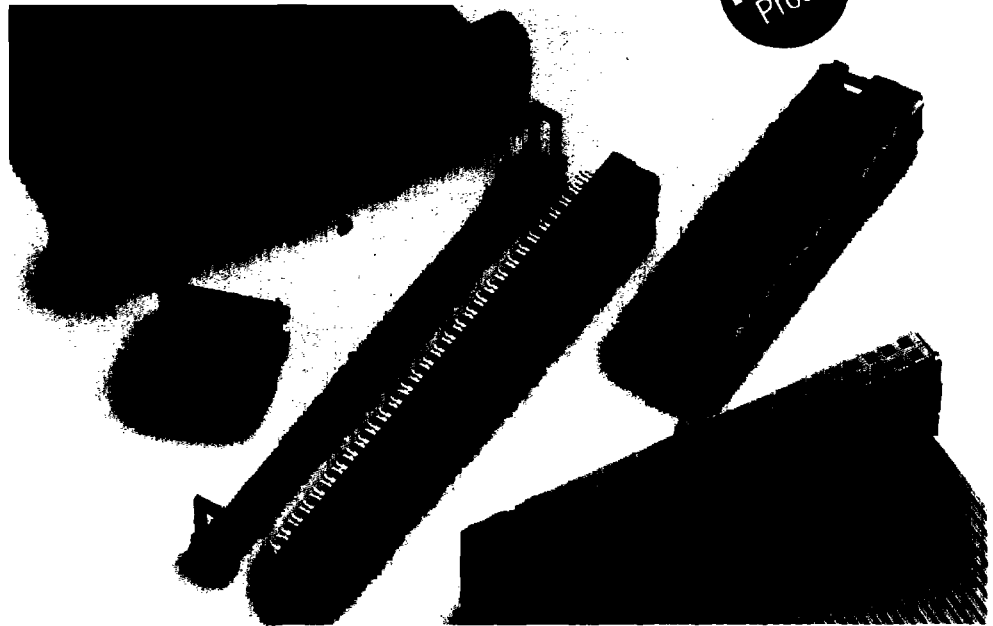
### Product Facts

- .100 X .100 [2.54 x 2.54] mating grid for .050 [1.27] pitch ribbon cable
- Pre-loaded single mating beam design, provides a high normal force without high mating/unmating forces
- Duplex gold plated contacts
- Insulation displacement contacts (IDC) for fast, economical mass termination
- Contact design provides uniform latching of contacts and housing with connector cover
- Recessed cover with cable alignment feature
- Housing, cover, and strain relief made of UL 94V-0 rated thermoplastic material
- Connectors available in a choice of military or center and military polarization
- 10, 14, 16, 20, 24, 26, 30, 34, 40, 44, 50, 60, and 64 position connector configurations available
- Accepts wire size range 28-26 AWG [0.08-0.15 mm<sup>2</sup>], solid or stranded
- Snap-on strain relief and choice of pull tabs available
- One step termination with AMP-LATCH Novo receptacle tooling
- Recognized under the Component Program of the Underwriters Laboratories, Inc., File No. E28476
- Certified by the Canadian Standards Association, File No. LR 7189



### Technical Documents

**Product Specification:**  
108-1437 ECONOLATCH  
Receptacle Connectors



ECONOLATCH receptacles feature insulation displacement contacts (IDC) for fast, labor saving mass termination of .050 [1.27] centerline ribbon cable. The mating interface consists of a pre-loaded single mating beam that provides high normal force without high mating forces. The mating beam contains a top/bottom contact orientation. Contacts are made of phosphor bronze and are available in a choice of duplex plate .000015 [0.00038] or .000030 [0.00076] gold in the mating area, .000100 [0.00254] tin-lead in the termination area, with the entire contact .000050 [0.00127] nickel underplated. Contact mating area extends .100 [2.54] from the mating face of the housing. Contacts accept wire size range 28-26 AWG [0.08-0.15 mm<sup>2</sup>], solid or stranded.

The ECONOLATCH receptacle will mate with:

- AMP-LATCH low-profile pin headers.
- All industry standard pin headers with a .150 [3.81] end dimension, .025 [0.64] square or round mating

post, and .125 [3.18] to .323 [8.20] maximum post length.

ECONOLATCH receptacles feature a housing and cover made of 94V-0 rated polyester. The dual recessed cover contains an integral cable alignment feature that provides additional ribbon cable alignment during termination. The housing is available in military and center and military polarized configurations in various sizes from 10 up to 64 positions.

Optional accessories include a snap-on strain relief and a choice of pull tabs. Assemblies are packaged in tubes for ease of handling, protection, and termination.

ECONOLATCH receptacles can be applied to ribbon cable with any existing AMP-LATCH Novo receptacle, one-step application tooling.

### Performance Data

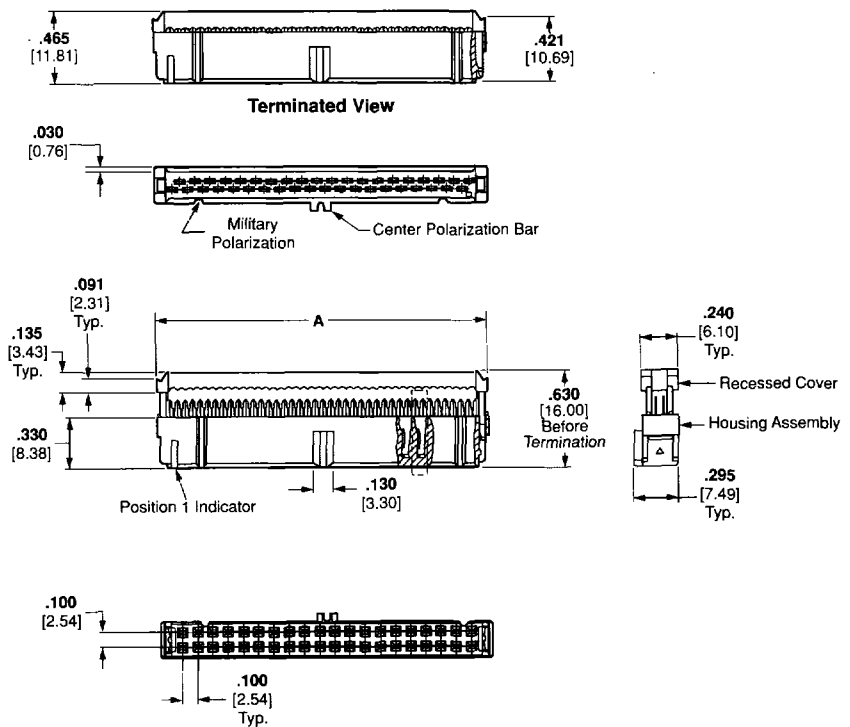
- Current Rating:**  
1 A per contact, max.
- Dielectric Withstanding Voltage:**  
500 VAC, min.
- Insulation Resistance:**  
5000 megohms, min.
- Termination Resistance:**  
15 milliohms, max.
- Mating Force:**  
4 oz. [1.11 N] per contact, max.
- Unmating Force:**  
1 oz. [0.28 N] per contact, min.
- Operating Temperature Range:**  
-65°C to +105°C

## Center and Military Polarization Connectors

### Material and Finish:

**Housing and Cover**—UL 94V-0 thermoplastic, black

**Contacts**—Phosphor bronze or copper alloy, duplex plated .000015 [0.00038] min. gold on the mating end, .000100 [0.00254] min. tin-lead on the termination end, with entire contact .000050 [0.00127] min. nickel underplated



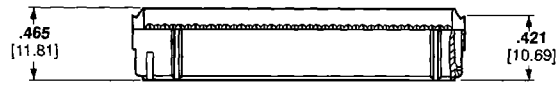
No. of Pos.	Dimension A	Part No. Phos. Bronze	Part No. Copper Alloy	Strain Relief
10	.680 17.27	111918-1	—	499252-5
14	.880 22.35	111918-2	—	499252-9
16	.980 24.89	111918-3	—	499252-8
20	1.180 29.97	111918-4	—	499252-2
24	1.380 35.05	111918-5	—	1-499252-0
26	1.480 37.59	111918-6	—	1-499252-3
30	1.680 42.67	111918-7	—	1-499252-2
34	1.880 47.75	111918-8	111838-8	499252-6
40	2.180 55.37	111918-9	111838-9	499252-1
50	2.680 68.07	1-111918-0	1-111838-0	499252-4
60	3.180 80.77	1-111918-1	—	499252-7
64	3.380 85.85	1-111918-2	—	499252-3

## Military Polarization Connectors

### Material and Finish:

**Housing and Cover**—UL 94V-0 thermoplastic, black

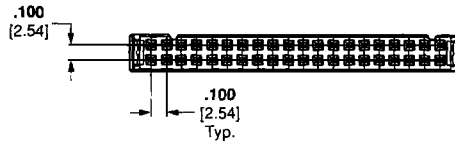
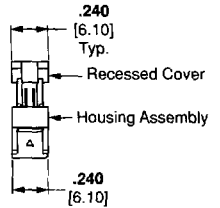
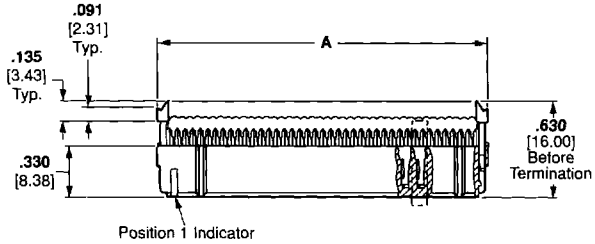
**Contacts**—Phosphor bronze or copper alloy, duplex plated .000015 (0.00038) min. gold on the mating end, .0001000 (0.00254) min. tin-lead on the termination end, with entire contact .000050 (0.00127) min. nickel underplated



Terminated View



Military Polarization



No. of Pos.	Dimension A	Part No. Phos. Bronze	Part No. Copper Alloy	Strain Relief
10	.680 17.27	111917-1	—	499252-5
14	.880 22.35	111917-2	—	499252-9
16	.980 24.89	111917-3	—	499252-8
20	1.180 29.97	111917-4	—	499252-2
24	1.380 35.05	111917-5	—	1-499252-0
26	1.480 37.59	111917-6	—	1-499252-3
30	1.680 42.67	111917-7	—	1-499252-2
34	1.880 47.75	111917-8	111850-8	499252-6
40	2.180 55.37	111917-9	111850-9	499252-1
50	2.680 68.07	1-111917-0	1-111850-0	499252-4
60	3.180 80.77	1-111917-1	—	499252-7
64	3.380 85.85	1-111917-2	—	499252-3