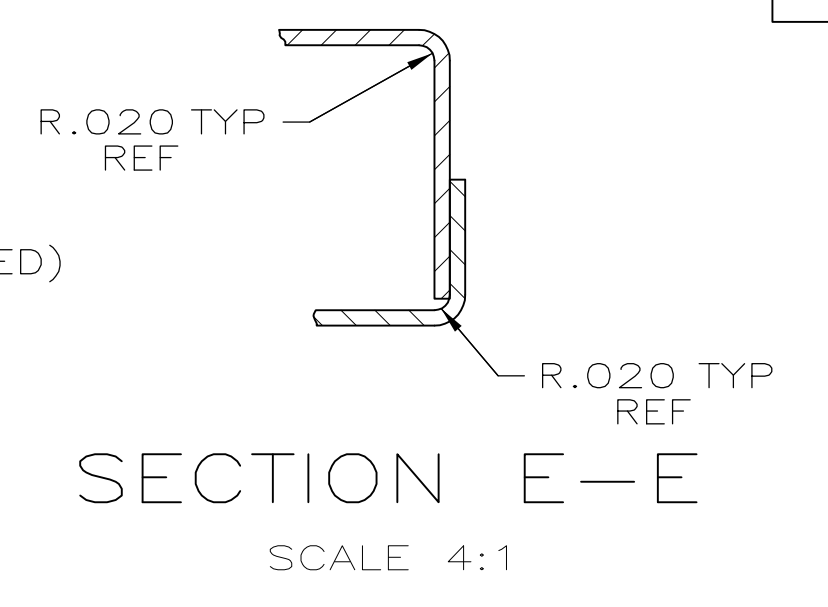
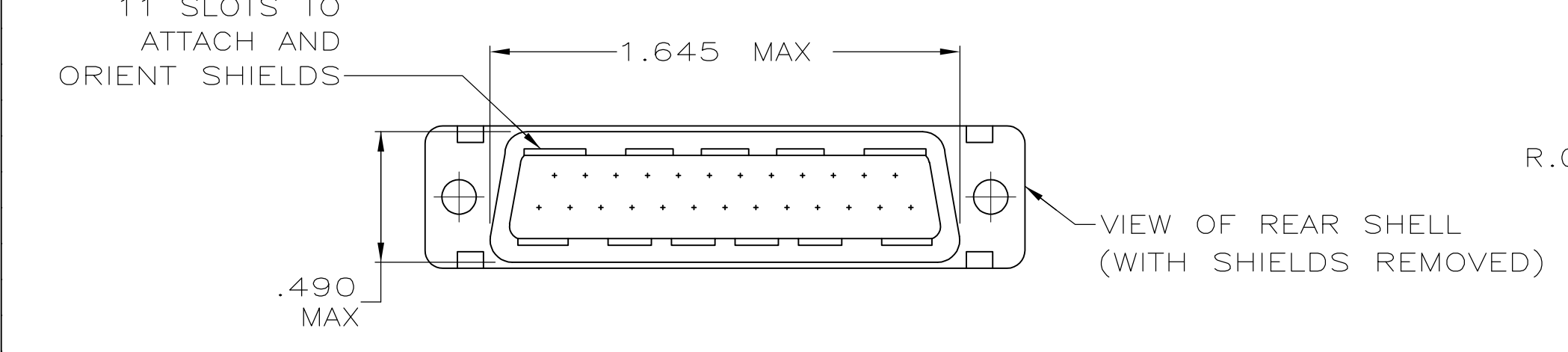
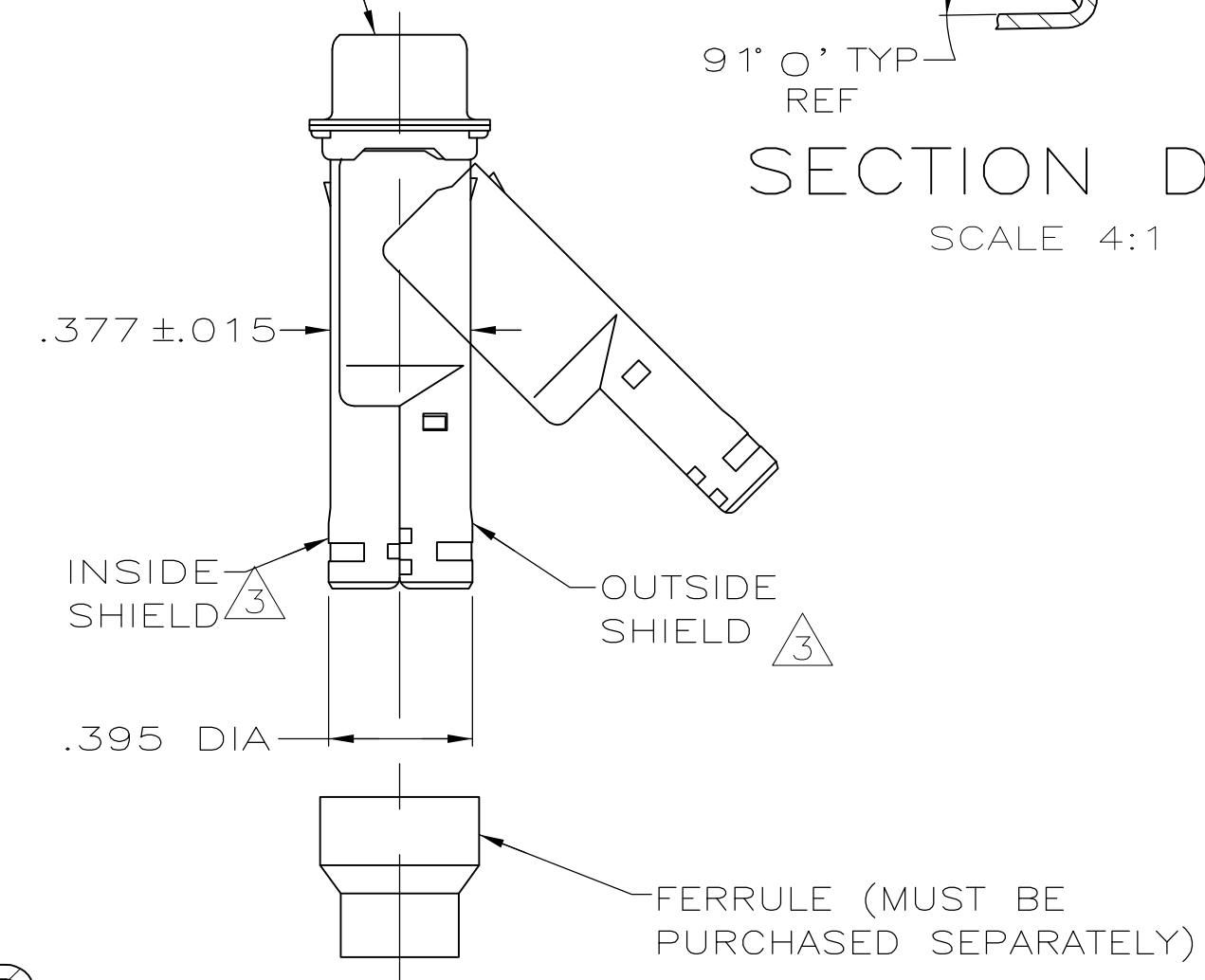
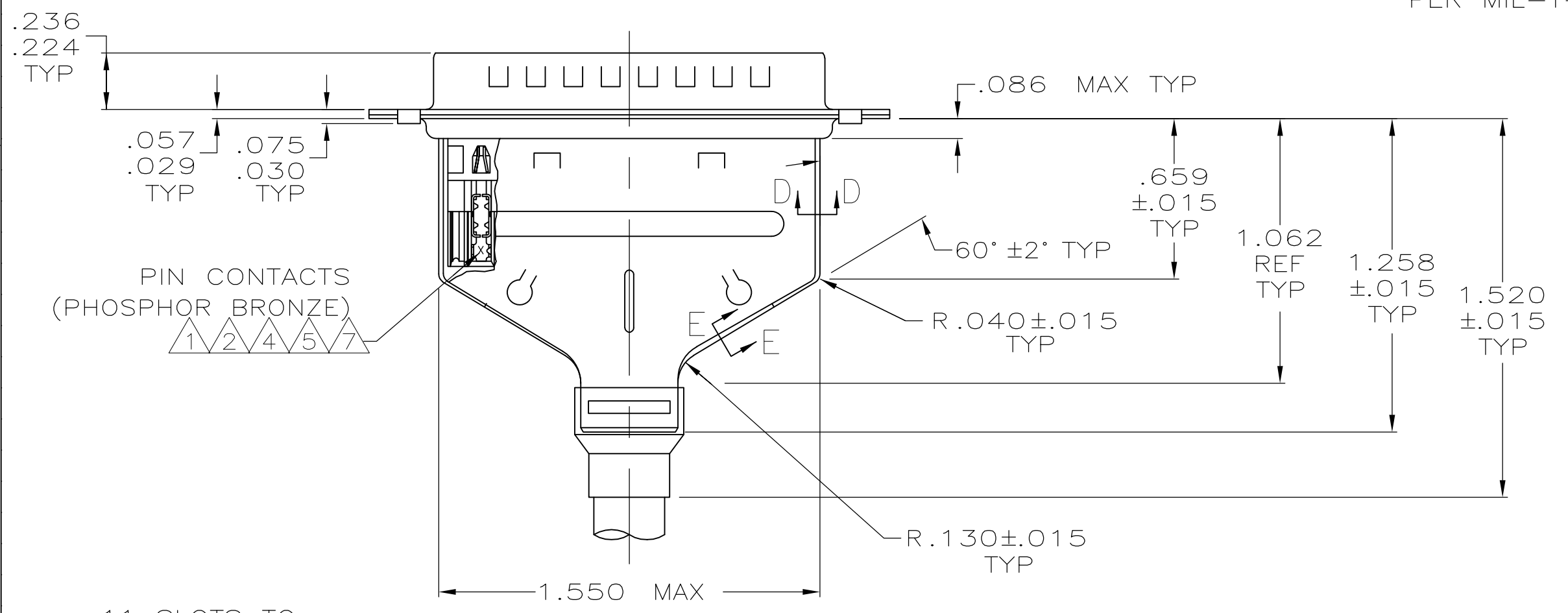
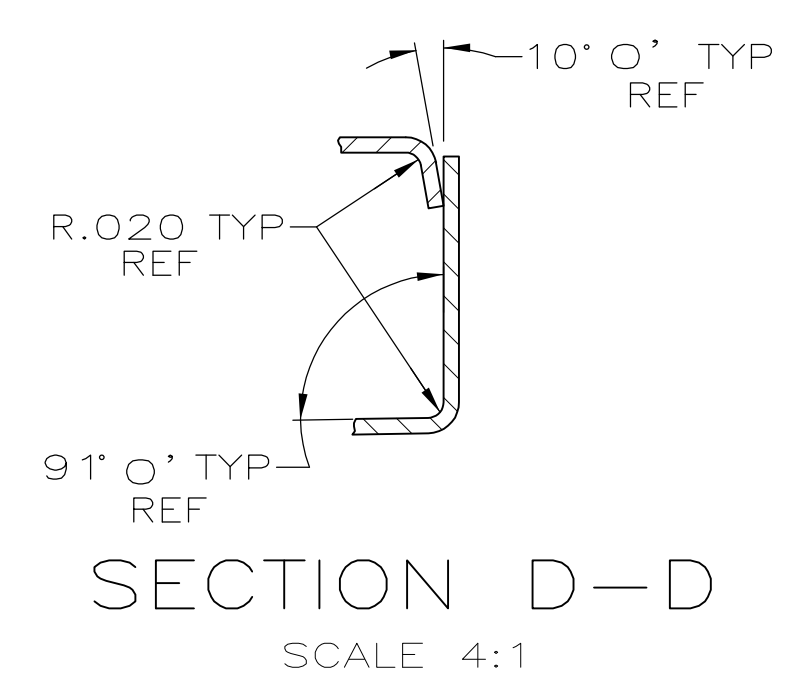


PLUG CONNECTOR <sup>1</sup>  
 INSERT: BLACK THERMOPLASTIC,  
 94V-0 RATED.  
 SHELL: STEEL PER ASTM A109,  
 BRIGHT TIN PLATED  
 PER MIL-T-10727.



- <sup>1</sup> PLUG CONNECTOR FULLY LOADED WITH CONTACTS. ALL OTHER PARTS SHIPPED UNASSEMBLED (EACH PART INDIVIDUALLY BULK PACKED).
- <sup>2</sup> NUMBER ON CONTACT INDICATES WIRE RANGE.
- <sup>3</sup> SHIELDS: MATERIAL-.020 THICK STEEL, TIN PLATED.
- <sup>4</sup> CONTACTS PLATED GOLD PLATED FOR LENGTH OF .150 MIN FROM MATING END, .000030 MIN GOLD IN MATED AREA. .000100-.000200 BRIGHT TIN OR BRIGHT IN TIN-LEAD IN WIRE TERMINATION AREA. .000050 NICKEL UNDERPLATE ON ENTIRE CONTACT.
- <sup>5</sup> CONTACTS PLATED GOLD PLATED FOR LENGTH OF .150 MIN FROM MATING END, GOLD FLASH IN MATED AREA. .000100-.000200 BRIGHT TIN OR BRIGHT IN TIN-LEAD IN WIRE TERMINATION AREA. .000030 NICKEL UNDERPLATE ON ENTIRE CONTACT.
- <sup>6</sup> RAISED CAVITY IDENTIFICATION AND AMP TRADEMARK.
- <sup>7</sup> CONTACTS PLATED GOLD PLATED FOR LENGTH OF .150 MIN FROM MATING END, .000050 MIN GOLD IN MATED AREA. .000100-.000200 BRIGHT TIN OR BRIGHT IN TIN-LEAD IN WIRE TERMINATION AREA. .000050 NICKEL UNDERPLATE ON ENTIRE CONTACT.
- <sup>8</sup> CONTACTS GOLD PLATED FOR A LENGTH OF .150 MIN FROM MATING END, .000030 MIN GOLD IN MATED AREA, .000100-.000200 MATTE TIN IN WIRE TERMINATION AREA, ALL OVER .000050MIN NICKEL UNDERPLATE ON ENTIRE CONTACT.  
OR  
CONTACTS GOLD PLATED FOR A LENGTH OF .150 MIN FROM MATING END, GOLD FLASH OVER PALLADIUM-NICKEL, .000030 MIN TOTAL IN MATED AREA, .000100-.000200 MATTE TIN IN WIRE TERMINATION AREA, ALL OVER .000050 MIN NICKEL UNDERPLATE ON ENTIRE CONTACT.
- <sup>9</sup> CONTACTS PLATED GOLD FLASH FOR A LENGTH OF .150 MIN FROM MATING END, .000100-.000200 MATTE TIN IN WIRE TERMINATION AREA, ALL OVER .000030 MIN NICKEL UNDERPLATE ON ENTIRE CONTACT.

	<sup>9</sup>	2	#22-26	1-747547-0
	<sup>8</sup>	2	#22-26	747547-9
	<sup>8</sup>	1	#26-30	747547-8
OBSOLETE	<sup>7</sup>	2	#22-26	747547-7
OBSOLETE		3	#20-22	747547-6
OBSOLETE	<sup>5</sup>	2	#22-26	747547-5
OBSOLETE		1	#26-30	747547-4
OBSOLETE		3	#20-22	747547-3
OBSOLETE	<sup>4</sup>	2	#22-26	747547-2
OBSOLETE		1	#26-30	747547-1
	CONTACT FINISH	<sup>2</sup>	WIRE RANGE	PART NUMBER

THIS DRAWING IS A CONTROLLED DOCUMENT.

DIMENSIONS: INCHES	TOLERANCES UNLESS OTHERWISE SPECIFIED:	DIN 11-16-04	11-16-04	Tyco Electronics Corporation Harrisburg, PA 17105-3608
0 PLC ± -	1 PLC ± -	2 PLC ± -	3 PLC ± .005	
	4 PLC ± -	ANGLES ± ° 30'	SEE CALL OUT	RESTRICTED TO

APVD: M. WALSLEY 11-16-04  
 NAME: M. WALSLEY  
 PRODUCT SPEC: 108-40011 & 108-40030  
 APPLICATION SPEC: 114-40002  
 WEIGHT: -  
 CUSTOMER DRAWING

SIZE: A1  
 CAGE CODE: 00779  
 DRAWING NO: 747547  
 SCALE: 2:1  
 SHEET: 1 OF 1  
 REV: M