

D-SUB Connector

SPECIFICATIONS

Mechanical

Contact Engagement Force: 0.34kg (0.75Lb) max.
Contact Separation Force: 0.021kg (0.05Lb) min.
Durability: 500 Cycles

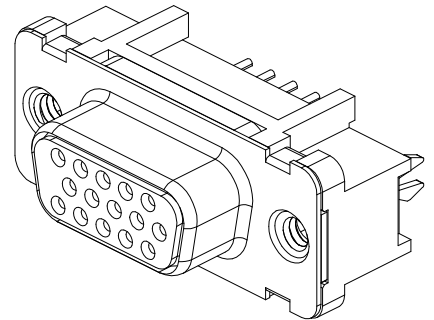
Electrical

Current Rating: 2A
Contact Resistance: 35mW max.
Dielectric Withstanding Voltage: 1000V AC/1min min.
Insulation Resistance: 5000MW min.

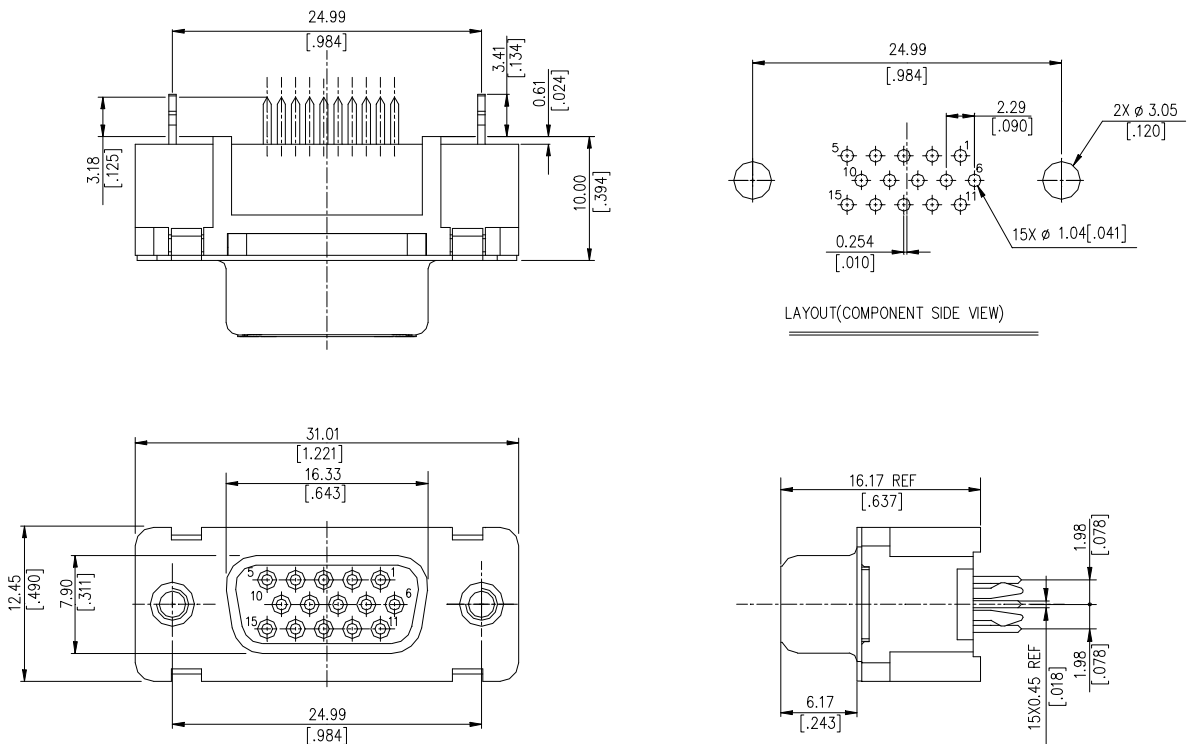
Physical

Housing: Thermoplastic, UL 94V-0 rated in Black Color
Contact: Copper alloy
Plating: See "ORDERING INFORMATION"
Operating Temperature: -55 to +105
Recommended Thickness of PCB: 1.57[.062]

ZD Series
Vertical Type, T/H
2.29mm [.090"] Pitch
15 Pos.



DRAWING



ORDERING INFORMATION

PRODUCT NO.: Z D A F A * - C 5 L 0 - 4 F

Dsub Series _____
Termination Type _____
 A=Straight
Contact Design Type: _____
 F=Socket High Profile
No. of Contact Position: _____
 A= 15 Pins

_____ Lead Free
_____ Extension Code
_____ Contact Area Plating
 1=Gold Flash
 3=30u" Gold