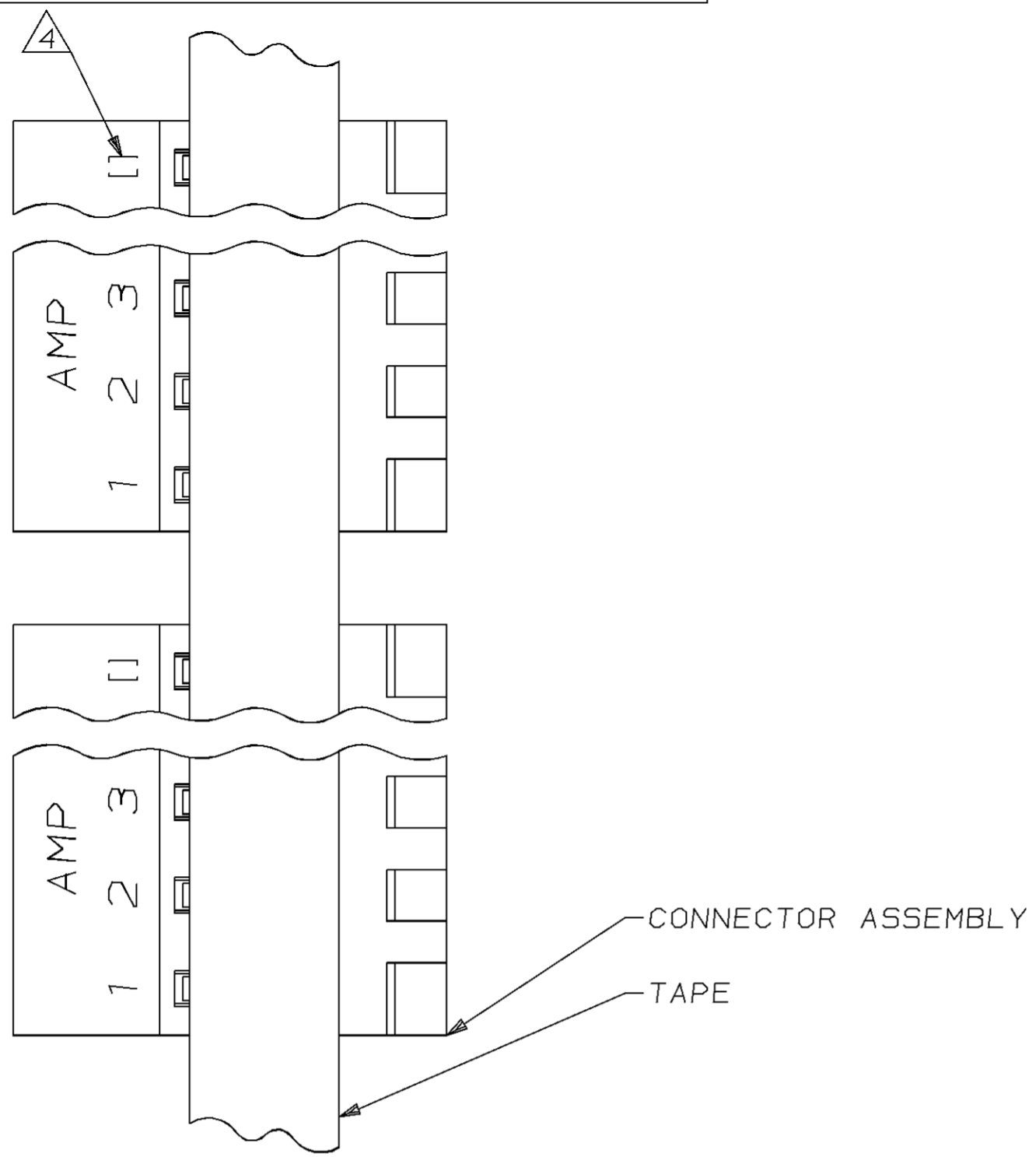
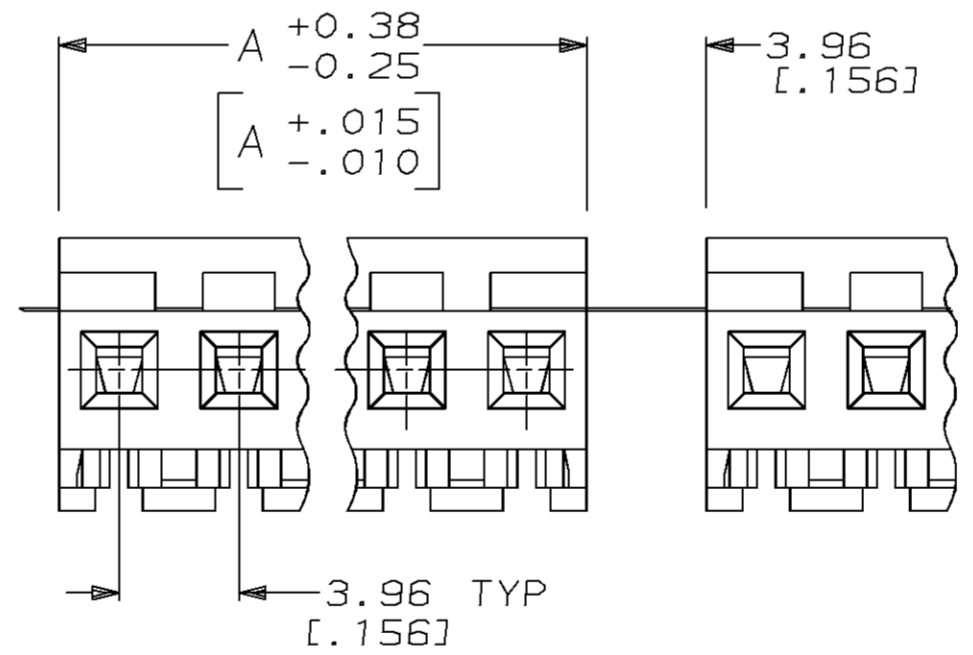
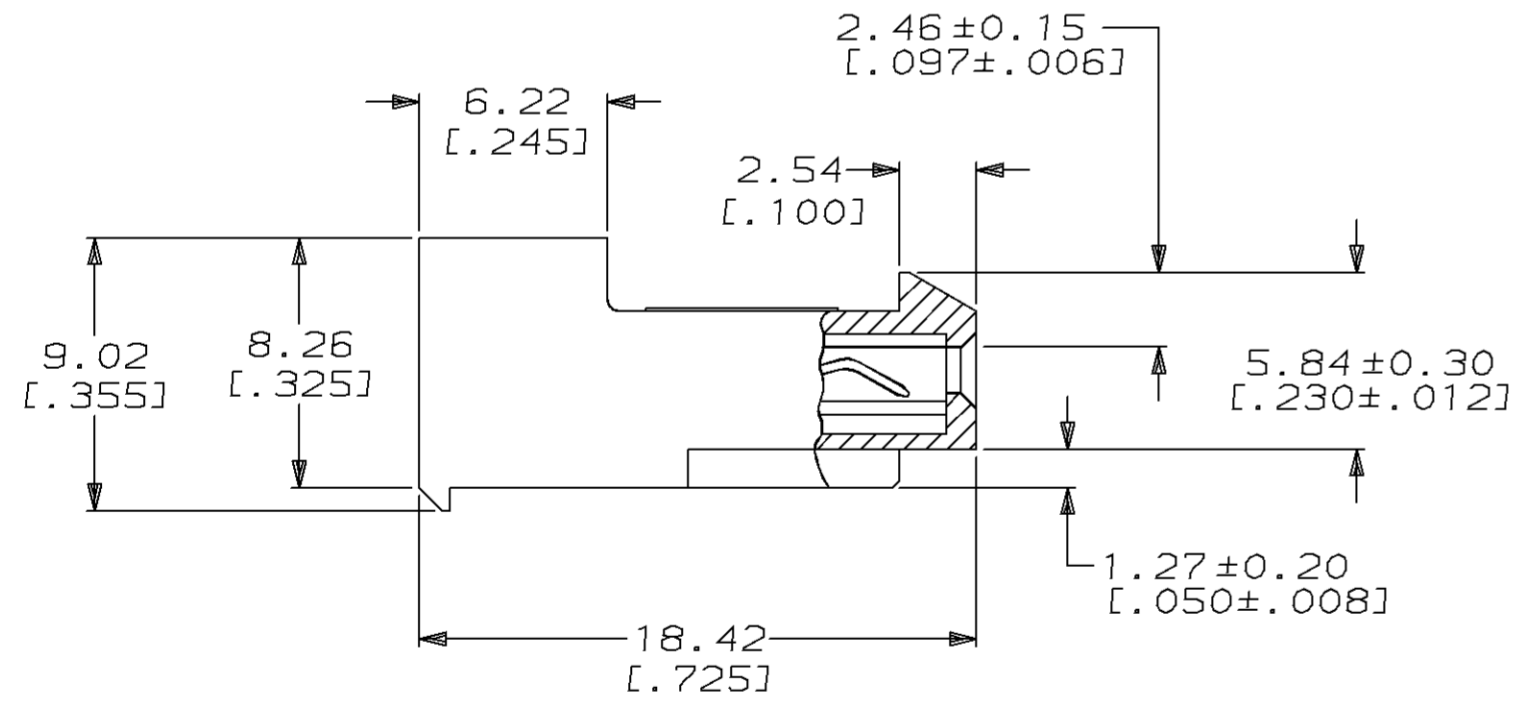


THIS DRAWING IS UNPUBLISHED. RELEASED FOR PUBLICATION ,19 .
 © COPYRIGHT 19 BY AMP INCORPORATED. ALL INTERNATIONAL RIGHTS RESERVED.

LOC	DIST	P	F	ZONE	LTR	REVISIONS		
						DESCRIPTION	DATE	APPD
CM	54				M	REACT -2 THRU -24 & REV PER EC 0730-0243-95	5-02-96	BL RS



- 1 MATERIAL: CONNECTOR - NYLON UL94V-2 (WHITE).
CONTACTS - 0.30 [.012] THICK COPPER ALLOY
(BRIGHT-TIN 0.00203
[.000080] MIN THK)
- 2. CONTACTS ACCEPT 24 AWG WIRE WITH 2.41 [.095] MAX
INSULATION DIAMETER.
- 3. CONTACTS MUST ACCEPT 1.14±0.03 [.045±.001] SQUARE
POST AND REMAIN LOCKED IN POSITION.
- 4 IDENTIFICATION NUMBER FOR LAST CIRCUIT MAY
NOT APPEAR ON ALL ASSEMBLIES.
- 5. DIMENSIONS IN BRACKETS ARE IN INCHES.
- 6. HOUSING FEATURES ARE: CLOSED END WITH LOCKING
RAMP.



DIM A	NO. OF CIRCUITS	PART NO
95.10 [3.744]	24	2-640475-4
91.13 [3.588]	23	2-640475-3
87.17 [3.432]	22	2-640475-2
83.21 [3.276]	21	2-640475-1
79.25 [3.120]	20	2-640475-0
75.29 [2.964]	19	1-640475-9
71.32 [2.808]	18	1-640475-8
67.36 [2.652]	17	1-640475-7
63.40 [2.496]	16	1-640475-6
59.44 [2.340]	15	1-640475-5
55.47 [2.184]	14	1-640475-4
51.51 [2.028]	13	1-640475-3
47.55 [1.872]	12	1-640475-2
43.59 [1.716]	11	1-640475-1
39.62 [1.560]	10	1-640475-0
35.66 [1.404]	9	640475-9
31.70 [1.248]	8	640475-8
27.74 [1.092]	7	640475-7
23.77 [.936]	6	640475-6
19.81 [.780]	5	640475-5
15.85 [.624]	4	640475-4
11.89 [.468]	3	640475-3
7.92 [.312]	2	640475-2

DO NOT SCALE PRINT. UNLESS SPECIFIED DIMENSIONS IN mm [INCHES] TOLERANCES ON : 2 PLC DEC ± - 3 PLC DEC ± 0.13 [.005] ANGLES ± - MATERIAL	DR	B. LEWIS 5-02-96	AMP AMP Incorporated Harrisburg, PA 17105-3608 NAME MTA-156 CONNECTOR ASSEMBLY, 24 AWG, STANDARD TAPE MOUNTED
	CHK	R. SWING 5-02-96	
	APPD	D.R. CLARK 5-02-96	
	APPD	5-02-96 D.R. CLARK	
	PRODUCT SPEC	108-1051	
FINISH	APPLICATION SPEC	114-1020	SIZE CAGE CODE DRAWING NO C 00779 640475
	WEIGHT	-	SCALE 4:1 SHEET 1 OF 1

METRIC