

LH28F640SPHT-PTLZ8

Flash Memory
64Mbit (4Mbitx16)

(Model Number: LHF64PZ8)

Spec. Issue Date: July 21, 2004
Spec No: EL167117

| | |
|----------|---------------|
| SPEC No. | EL167117 |
| ISSUE: | Jul. 21, 2004 |

To; _____

S P E C I F I C A T I O N S

Product Type 64 Mbit Flash Memory

L H 2 8 F 6 4 0 S P H T — P T L Z 8

Model No. (L H F 6 4 P Z 8)

If you have any objections, please contact us before issuing purchasing order.

* This specifications contains 39 pages including the cover and appendix.
Refer to LH28F640SP series Appendix (FUM03201).

CUSTOMERS ACCEPTANCE

DATE: _____

BY: _____

PRESENTED

BY: *M. Nawaki*
M. NAWAKI
Dept. General Manager

REVIEWED BY: PREPARED BY:

M. Suminaga *S. Kouchi*
Product Development Dept. II
System-Flash Division
Integrated Circuits Group
SHARP CORPORATION

- Handle this document carefully for it contains material protected by international copyright law. Any reproduction, full or in part, of this material is prohibited without the express written permission of the company.
- When using the products covered herein, please observe the conditions written herein and the precautions outlined in the following paragraphs. In no event shall the company be liable for any damages resulting from failure to strictly adhere to these conditions and precautions.
 - (1) The products covered herein are designed and manufactured for the following application areas. When using the products covered herein for the equipment listed in Paragraph (2), even for the following application areas, be sure to observe the precautions given in Paragraph (2). Never use the products for the equipment listed in Paragraph (3).
 - Office electronics
 - Instrumentation and measuring equipment
 - Machine tools
 - Audiovisual equipment
 - Home appliance
 - Communication equipment other than for trunk lines
 - (2) Those contemplating using the products covered herein for the following equipment which demands high reliability, should first contact a sales representative of the company and then accept responsibility for incorporating into the design fail-safe operation, redundancy, and other appropriate measures for ensuring reliability and safety of the equipment and the overall system.
 - Control and safety devices for airplanes, trains, automobiles, and other transportation equipment
 - Mainframe computers
 - Traffic control systems
 - Gas leak detectors and automatic cutoff devices
 - Rescue and security equipment
 - Other safety devices and safety equipment, etc.
 - (3) Do not use the products covered herein for the following equipment which demands extremely high performance in terms of functionality, reliability, or accuracy.
 - Aerospace equipment
 - Communications equipment for trunk lines
 - Control equipment for the nuclear power industry
 - Medical equipment related to life support, etc.
 - (4) Please direct all queries and comments regarding the interpretation of the above three Paragraphs to a sales representative of the company.
- Please direct all queries regarding the products covered herein to a sales representative of the company.

CONTENTS

| PAGE | PAGE |
|----------------------------------------------|-------------------------------------------------------------------------------------------------|
| 56-Lead TSOP (Normal Bend) Pinout 3 | 1 Electrical Specifications 16 |
| Pin Descriptions..... 4 | 1.1 Absolute Maximum Ratings..... 16 |
| CE0, CE1, CE2 Truth Table 5 | 1.2 Operating Conditions 16 |
| Memory Map 6 | 1.2.1 Capacitance..... 17 |
| Identifier Codes Address 7 | 1.2.2 AC Input/Output Test Conditions..... 17 |
| OTP Block Address Map..... 8 | 1.2.3 DC Characteristics..... 18 |
| Bus Operation 9 | 1.2.4 AC Characteristics - Read-Only Operations 20 |
| Command Definitions 10 | 1.2.5 AC Characteristics - Write Operations 24 |
| Functions of Block Lock 12 | 1.2.6 Reset Operations..... 26 |
| Status Register Definition..... 13 | 1.2.7 Block Erase, (Page Buffer) Program and Block Lock Configuration Performance..... 27 |
| Extended Status Register Definition 14 | 2 Related Document Information 28 |
| STS Configuration Definition 15 | 3 Package and packing specification..... 29 |

LH28F640SPHT-PTLZ8

64Mbit (4Mbit×16/8Mbit×8)

Page Mode Flash MEMORY

- 64-Mbit Density
 - Bit Organization ×8/×16
- High Performance Page Mode Reads for Memory Array
 - 120/25ns 4-Word/ 8-Byte Page Mode
- $V_{CC}=2.7V-3.6V$ Operation
 - V_{CCQ} for Input/Output Power Supply Isolation
 - Automatic Power Savings Mode reduces I_{CCR} in Static Mode
- OTP (One Time Program) Block
 - 4-Word/ 8-Byte Factory-Programmed Area
 - 3963-Word/ 7926-Byte User-Programmable Area
- High Performance Program with Page Buffer
 - 16-Word/ 32-Byte Page Buffer
 - Page Buffer Program Time 12.5 μ s/byte (Typ.)
- Operating Temperature -40°C to +85°C
- Symmetrically-Blocked Architecture
 - Sixty-four 64-KWord/ 128-KByte Blocks
- Enhanced Data Protection Features
 - Individual Block Lock
 - Absolute Protection with $V_{PEN}\leq V_{PENLK}$
 - Block Erase, (Page Buffer) Program Lockout during Power Transitions
- Automated Erase/Program Algorithms
 - Program Time 210 μ s (Typ.)
 - Block Erase Time 1s (Typ.)
- Cross-Compatible Command Support
 - Basic Command Set
 - Common Flash Interface (CFI)
- Extended Cycling Capability
 - Minimum 100,000 Block Erase Cycles
- 56-Lead TSOP (Normal Bend)
- CMOS Process (P-type silicon substrate)
- ETOXTM* Flash Technology
- Not designed or rated as radiation hardened

The product, which is Page Mode Flash memory, is a high density, low cost, nonvolatile read/write storage solution for a wide range of applications. The product can operate at $V_{CC}=2.7V-3.6V$ and $V_{PEN}=2.7V-3.6V$

The product supports high performance page mode. It allows code execution directly from Flash, thus eliminating time consuming wait states.

Fast program capability is provided through the use of high speed Page Buffer Program.

The block locking scheme is available for memory array and this scheme provides maximum flexibility for safe nonvolatile code and data storage.

OTP (One Time Program) block provides an area to store security code and to protect its code.

* ETOX is a trademark of Intel Corporation.

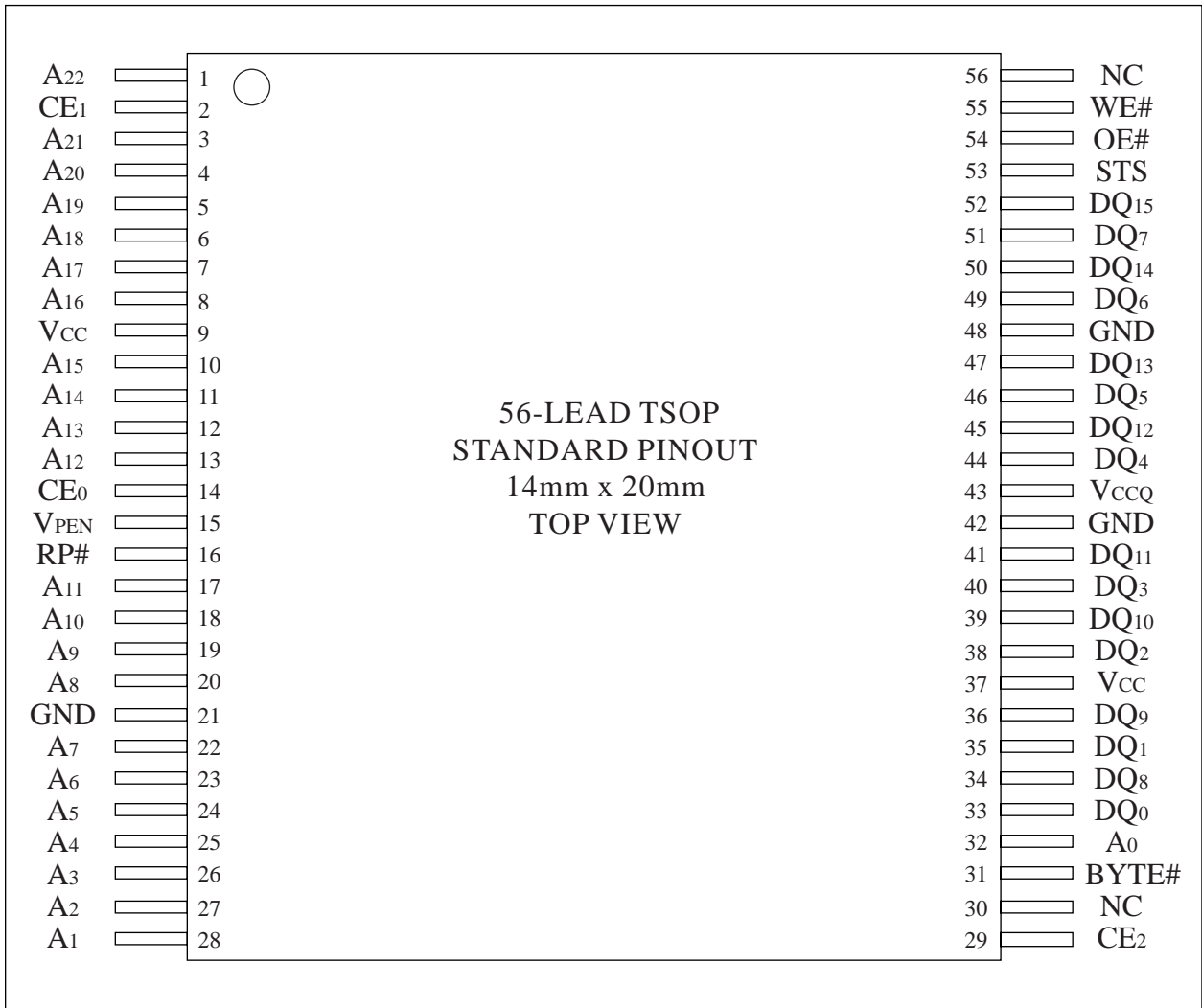


Figure 1. 56-Lead TSOP (Normal Bend) Pinout

Table 1. Pin Descriptions

| Symbol | Type | Name and Function |
|-----------------------------------------------------------|----------------------|-------------------------------------------------------------------------------------------------------------------------------------------------------------------------------------------------------------------------------------------------------------------------------------------------------------------------------------------------------------------------------------------------------------------------------------------|
| A ₀ | INPUT | ADDRESS INPUTS: Lowest address input in byte mode (BYTE#=V _{IL} : ×8 bit). Address is internally latched during an erase or a program cycle. This pin is not used in word mode (BYTE#=V _{IH} : ×16 bit) |
| A ₂₂ -A ₁ | INPUT | ADDRESS INPUTS: Inputs for addresses during read, erase and program operations. Addresses are internally latched during an erase or a program cycle. |
| DQ ₁₅ -DQ ₀ | INPUT/ OUTPUT | DATA INPUTS/OUTPUTS: Inputs data and commands during CUI (Command User Interface) write cycles, outputs data during memory array, status register, query code, identifier code reads. Data pins float to high-impedance (High Z) when the chip or outputs are deselected. Data is internally latched during an erase or program cycle. DQ ₁₅ -DQ ₈ pins are not used in byte mode (BYTE#=V _{IL} : ×8 bit). |
| CE ₀ , CE ₁ , CE ₂ | INPUT | CHIP ENABLE: Activates the device's control logic, input buffers, decoders and sense amplifiers. When the device is de-selected, power consumption reduces to standby levels. Refer to Table 2 to determine whether the device is selected or de-selected depending on the state of CE ₀ , CE ₁ and CE ₂ . |
| RP# | INPUT | RESET: When low (V _{IL}), RP# resets internal automation and inhibits erase and program operations, which provides data protection. RP#-high (V _{IH}) enables normal operation. After power-up or reset mode, the device is automatically set to read array mode. RP# must be low during power-up/down. |
| OE# | INPUT | OUTPUT ENABLE: Gates the device's outputs during a read cycle. |
| WE# | INPUT | WRITE ENABLE: Controls writes to the CUI and array blocks. Addresses and data are latched on the first edge of CE ₀ , CE ₁ or CE ₂ that disables the device or the rising edge of WE# (whichever occurs first). |
| STS | OPEN DRAIN OUTPUT | STATUS: Indicates the status of the internal WSM (Write State Machine). When configured in level mode (default mode), STS acts as a RY/BY# pin (STS is V _{OL} when the WSM is executing internal erase or program algorithms). When configured in one of its pulse modes, STS can pulse to indicate erase/program completion. Refer to Table 9 for STS configuration. |
| BYTE# | INPUT | BYTE ENABLE: BYTE# V _{IL} places the device in byte mode (×8). In this mode, DQ ₁₅ -DQ ₈ is floated (High Z) and A ₀ is the lowest address input. BYTE# V _{IH} places the device in word mode (×16) and A ₁ is the lowest address input. |
| V _{PEN} | INPUT | MONITORING POWER SUPPLY VOLTAGE: V _{PEN} is not used for power supply pin. With V _{PEN} ≤ V _{PENLK} , block erase, (page buffer) program, block lock configuration and OTP program cannot be executed and should not be attempted. |
| V _{CC} | SUPPLY | DEVICE POWER SUPPLY (2.7V-3.6V): With V _{CC} ≤ V _{LKO} , all write attempts to the flash memory are inhibited. Device operations at invalid V _{CC} voltage (refer to DC Characteristics) produce spurious results and should not be attempted. |
| V _{CCQ} | SUPPLY | INPUT/OUTPUT POWER SUPPLY (2.7V-3.6V): Power supply for all input/output pins. |
| GND | SUPPLY | GROUND: Do not float any ground pins. |
| NC | | NO CONNECT: Lead is not internally connected; it may be driven or floated. |

Table 2. CE₀, CE₁, CE₂ Truth Table ⁽¹⁾

| CE ₂ | CE ₁ | CE ₀ | Device |
|-----------------|-----------------|-----------------|----------|
| V _{IL} | V _{IL} | V _{IL} | Enabled |
| V _{IL} | V _{IL} | V _{IH} | Disabled |
| V _{IL} | V _{IH} | V _{IL} | Disabled |
| V _{IL} | V _{IH} | V _{IH} | Disabled |
| V _{IH} | V _{IL} | V _{IL} | Enabled |
| V _{IH} | V _{IL} | V _{IH} | Enabled |
| V _{IH} | V _{IH} | V _{IL} | Enabled |
| V _{IH} | V _{IH} | V _{IH} | Disabled |

NOTE:

1. For single-chip applications, CE₁ and CE₂ can be connected to GND.

Table 3. Identifier Codes Address

| | Code | Address [A ₂₂ -A ₁] ⁽¹⁾ | Data [DQ ₇ -DQ ₀] | Notes |
|-------------------------------|-------------------|--------------------------------------------------------------|---------------------------------------------|-------|
| Manufacturer Code | Manufacturer Code | 000000H | B0H | 2 |
| Device Code | Device Code | 000001H | 17H | 2 |
| Block Lock Configuration Code | Block is Unlocked | Block Address + 2 | DQ ₀ = 0 | 3 |
| | Block is Locked | | DQ ₀ = 1 | 3 |

NOTES:

1. The address A₀ don't care.
2. "00H" is presented on DQ₁₅-DQ₈ in word mode (BYTE#=V_{IH} : ×16 bit).
3. Block Address = The beginning location of a block address. DQ₁₅-DQ₁ are reserved for future implementation.

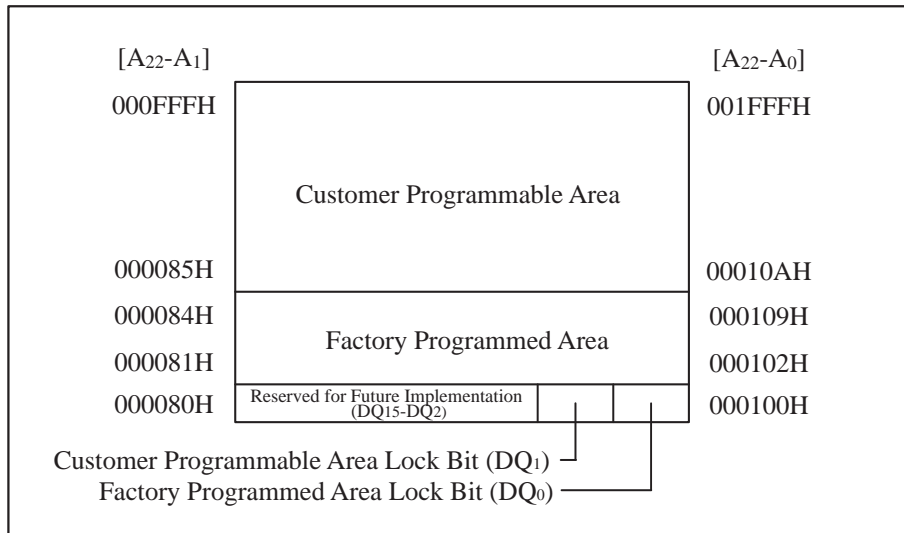


Figure 3. OTP Block Address Map
 (The area not specified in the above figure cannot be used.)

Table 4. Bus Operation^(1, 2)

| Mode | Notes | RP# | CE _{0,1,2} ⁽³⁾ | OE# | WE# | Address | V _{PEN} | DQ ⁽⁴⁾ | STS ⁽¹⁰⁾ |
|---------------------------|-------|-----------------|------------------------------------|-----------------|-----------------|------------------|------------------|-------------------|---------------------|
| Read Array | 8 | V _{IH} | Enabled | V _{IL} | V _{IH} | X | X | D _{OUT} | X |
| Output Disable | | V _{IH} | Enabled | V _{IH} | V _{IH} | X | X | High Z | X |
| Standby | | V _{IH} | Disabled | X | X | X | X | High Z | X |
| Reset | 5 | V _{IL} | X | X | X | X | X | High Z | High Z |
| Read Identifier Codes/OTP | 8 | V _{IH} | Enabled | V _{IL} | V _{IH} | Refer to Table 3 | X | Refer to Table 3 | X |
| Read Query | 8,9 | V _{IH} | Enabled | V _{IL} | V _{IH} | See Appendix | X | See Appendix | X |
| Write | 6,7,8 | V _{IH} | Enabled | V _{IH} | V _{IL} | X | X | D _{IN} | X |

NOTES:

1. Refer to DC Characteristics. When $V_{PEN} \leq V_{PENLK}$, memory contents can be read, but cannot be altered.
2. X can be V_{IL} or V_{IH} for control pins and addresses, and V_{PENLK} or V_{PENH} for V_{PEN}. Refer to DC Characteristics for V_{PENLK} and V_{PENH} voltages.
3. Refer to Table 2 to determine whether the device is selected or de-selected depending on the state of CE₀, CE₁ and CE₂.
4. DQ refers to DQ₁₅-DQ₀ in word mode (BYTE#=V_{IH} : ×16 bit) and DQ₇-DQ₀ in byte mode (BYTE#=V_{IL} : ×8 bit).
5. RP# at GND±0.2V ensures the lowest power consumption.
6. Command writes involving block erase, (page buffer) program, block lock configuration or OTP program are reliably executed when V_{PEN}=V_{PENH} and V_{CC}=2.7V-3.6V.
7. Refer to Table 5 for valid D_{IN} during a write operation.
8. Never hold OE# low and WE# low at the same timing.
9. Refer to Appendix of LH28F640SP series for more information about query code.
10. STS is V_{OL} when the WSM (Write State Machine) is executing internal block erase, (page buffer) program or OTP program algorithms. It is High Z during when the WSM is not busy, in block erase suspend mode (with program and page buffer program inactive), (page buffer) program suspend mode, or reset mode.

Table 5. Command Definitions ⁽¹⁰⁾

| Command | Bus Cycles Req'd | Notes | First Bus Cycle | | | Second Bus Cycle | | |
|-----------------------------------------------|------------------|-------|---------------------|---------------------|---------------------|---------------------|---------------------|---------------------|
| | | | Oper ⁽¹⁾ | Addr ⁽²⁾ | Data ⁽³⁾ | Oper ⁽¹⁾ | Addr ⁽²⁾ | Data ⁽³⁾ |
| Read Array | 1 | | Write | X | FFH | | | |
| Read Identifier Codes/OTP | ≥ 2 | 4 | Write | X | 90H | Read | IA or OA | ID or OD |
| Read Query | ≥ 2 | 4 | Write | X | 98H | Read | QA | QD |
| Read Status Register | 2 | | Write | X | 70H | Read | X | SRD |
| Clear Status Register | 1 | | Write | X | 50H | | | |
| Block Erase | 2 | 5 | Write | BA | 20H | Write | BA | D0H |
| Program | 2 | 5,6 | Write | X | 40H or 10H | Write | WA | WD |
| Page Buffer Program | ≥ 4 | 5,7 | Write | BA | E8H | Write | BA | N-1 |
| Block Erase and (Page Buffer) Program Suspend | 1 | 8 | Write | X | B0H | | | |
| Block Erase and (Page Buffer) Program Resume | 1 | 8 | Write | X | D0H | | | |
| STS Configuration | 2 | | Write | X | B8H | Write | X | CC |
| Set Block Lock Bit | 2 | | Write | X | 60H | Write | BA | 01H |
| Clear Block Lock Bits | 2 | 9 | Write | X | 60H | Write | X | D0H |
| OTP Program | 2 | | Write | X | C0H | Write | OA | OD |

NOTES:

- Bus operations are defined in Table 4.
- X=Any valid address within the device.
IA=Identifier codes address (Refer to Table 3).
QA=Query codes address. Refer to Appendix of LH28F640SP series for details.
BA=Address within the block for block erase, page buffer program or set block lock bit.
WA=Address of memory location for the Program command.
OA=Address of OTP block to be read or programmed (Refer to Figure 3).
- The upper byte of the data bus (DQ₁₅-DQ₈) during command writes is ignored in word mode (BYTE#=V_{IH} : ×16 bit).
ID=Data to be read from identifier codes. (Refer to Table 3).
QD=Data to be read from query database. Refer to Appendix of LH28F640SP series for details.
SRD=Data to be read from status register. Refer to Table 7 for a description of the status register bits.
WD=Data to be programmed at location WA. Data is latched on the first edge of CE₀, CE₁ or CE₂ that disables the device or the rising edge of WE# (whichever occurs first) during command write cycles.
N-1=N is the number of the words /bytes to be loaded into a page buffer.
OD=Data within OTP block. Data is latched on the first edge of CE₀, CE₁ or CE₂ that disables the device or the rising edge of WE# (whichever occurs first) during command write cycles.
CC= STS configuration code (Refer to Table 9).
- Following the Read Identifier Codes/OTP command, read operations access manufacturer code, device code, block lock configuration code and the data within OTP block (Refer to Table 3).
The Read Query command is available for reading CFI (Common Flash Interface) information.
- Block erase or (page buffer) program cannot be executed when the selected block is locked. Unlocked block can be erased or programmed when RP# is V_{IH}.
- Either 40H or 10H are recognized by the CUI (Command User Interface) as the program setup.
- Following the third bus cycle, write the program sequential address and data of "N" times. Finally, write the any valid address within the block to be programmed and the confirm command (D0H).

Refer to Appendix of LH28F640SP series for details.

8. If both block erase operation and (page buffer) program operation are suspended, the suspended (page buffer) program operation is resumed when writing the Block Erase and (Page Buffer) Program Resume (D0H) command.
9. Following the Clear Block Lock Bits command, all the blocks are unlocked at a time.
10. Commands other than those shown above are reserved by SHARP for future device implementations and should not be used.

Table 6. Functions of Block Lock ^{(1), (2)}

| DQ ₀ ⁽³⁾ | State Name | Erase/Program Allowed ⁽⁴⁾ |
|--------------------------------|------------|--------------------------------------|
| 0 | Unlocked | Yes |
| 1 | Locked | No |

NOTES:

1. Selected block is locked by the Set Block Lock Bit command. Following the Clear Block Lock Bits command, all the blocks are unlocked at a time.
2. Locked and unlocked states remain unchanged even after power-up/down and device reset.
3. After writing the Read Identifier Codes/OTP command, read operation outputs the block lock bit status on DQ₀ (refer to Table 3).
4. Erase and program are general terms, respectively, to express: block erase and (page buffer) program operations.

Table 7. Status Register Definition

| | | | | | | | |
|------|------|--------|-----------|-------|-------|-----|---|
| R | R | R | R | R | R | R | R |
| 15 | 14 | 13 | 12 | 11 | 10 | 9 | 8 |
| WSMS | BESS | BECBLS | PBPOPSBLS | VPENS | PBPSS | DPS | R |
| 7 | 6 | 5 | 4 | 3 | 2 | 1 | 0 |

| | |
|-------------------------------------------------------------------------------------------------------------------------------------------------------------------------------------------------------------------------------------------------------------------------------------------------------------------------------------------------------------------------------------------------------------------------------------------------------------------------------------------------------------------------------------------------------------------------------------------------------------------------------------------------------------------------------------------------------------------------------------------------------------------------------------------------------------------------------------------------------------------------------------------------------------------------------------------------------------------------------------------------------------------------------------------------------------------------------------------------------------------------------------------------------------------------------------------------------------------------------------------------------------------------------------------------------|---------------------------------------------------------------------------------------------------------------------------------------------------------------------------------------------------------------------------------------------------------------------------------------------------------------------------------------------------------------------------------------------------------------------------------------------------------------------------------------------------------------------------------------------------------------------------------------------------------------------------------------------------------------------------------------------------------------------------------------------------------------------------------------------------------------------------------------------------------------------------------------------------------------------------------------------------------------------------------------------------------------------------------------------------------------------------------------------------------------------------------------------------------------------------------------------------------------------------------------------------------------------------------------------------------|
| <p>SR.15 - SR.8 = RESERVED FOR FUTURE ENHANCEMENTS (R)</p> <p>SR.7 = WRITE STATE MACHINE STATUS (WSMS) 1 = Ready 0 = Busy</p> <p>SR.6 = BLOCK ERASE SUSPEND STATUS (BESS) 1 = Block Erase Suspended 0 = Block Erase in Progress/Completed</p> <p>SR.5 = BLOCK ERASE AND CLEAR BLOCK LOCK BITS STATUS (BECBLS) 1 = Error in Block Erase or Clear Block Lock Bits 0 = Successful Block Erase or Clear Block Lock Bits</p> <p>SR.4 = (PAGE BUFFER) PROGRAM, OTP PROGRAM AND SET BLOCK LOCK BIT STATUS (PBPOPSBLS) 1 = Error in (Page Buffer) Program, OTP Program or Set Block Lock Bit 0 = Successful (Page Buffer) Program, OTP Program or Set Block Lock Bit</p> <p>SR.3 = V_{PEN} STATUS (VPENS) 1 = V_{PEN} LOW Detect, Operation Abort 0 = V_{PEN} OK</p> <p>SR.2 = (PAGE BUFFER) PROGRAM SUSPEND STATUS (PBPSS) 1 = (Page Buffer) Program Suspended 0 = (Page Buffer) Program in Progress/Completed</p> <p>SR.1 = DEVICE PROTECT STATUS (DPS) 1 = Erase or Program Attempted on a Locked Block, Operation Abort 0 = Unlocked</p> <p>SR.0 = RESERVED FOR FUTURE ENHANCEMENTS (R)</p> | <p>NOTES:</p> <p>Check SR.7 or STS to determine block erase, (page buffer) program, block lock configuration or OTP program completion. SR.6 - SR.1 are invalid while SR.7="0".</p> <p>If both SR.5 and SR.4 are "1"s after a block erase, page buffer program, block lock configuration, STS configuration attempt, an improper command sequence was entered.</p> <p>SR.3 does not provide a continuous indication of V_{PEN} level. The WSM interrogates and indicates the V_{PEN} level only after Block Erase, (Page Buffer) Program, Set Block Lock Bit, Clear Block Lock Bits or OTP Program command sequences. SR.3 is not guaranteed to report accurate feedback when V_{PEN}≠V_{PENH} or V_{PENLK}.</p> <p>SR.1 does not provide a continuous indication of block lock bit. The WSM interrogates the block lock bit only after Block Erase, (Page Buffer) Program or OTP Program command sequences. It informs the system, depending on the attempted operation, if the block lock bit is set. Reading the block lock configuration codes after writing the Read Identifier Codes/OTP command indicates block lock bit status.</p> <p>SR.15 - SR.8 and SR.0 are reserved for future use and should be masked out when polling the status register.</p> |
|-------------------------------------------------------------------------------------------------------------------------------------------------------------------------------------------------------------------------------------------------------------------------------------------------------------------------------------------------------------------------------------------------------------------------------------------------------------------------------------------------------------------------------------------------------------------------------------------------------------------------------------------------------------------------------------------------------------------------------------------------------------------------------------------------------------------------------------------------------------------------------------------------------------------------------------------------------------------------------------------------------------------------------------------------------------------------------------------------------------------------------------------------------------------------------------------------------------------------------------------------------------------------------------------------------|---------------------------------------------------------------------------------------------------------------------------------------------------------------------------------------------------------------------------------------------------------------------------------------------------------------------------------------------------------------------------------------------------------------------------------------------------------------------------------------------------------------------------------------------------------------------------------------------------------------------------------------------------------------------------------------------------------------------------------------------------------------------------------------------------------------------------------------------------------------------------------------------------------------------------------------------------------------------------------------------------------------------------------------------------------------------------------------------------------------------------------------------------------------------------------------------------------------------------------------------------------------------------------------------------------|

Table 8. Extended Status Register Definition

| | | | | | | | |
|-----|----|----|----|----|----|---|---|
| R | R | R | R | R | R | R | R |
| 15 | 14 | 13 | 12 | 11 | 10 | 9 | 8 |
| SMS | R | R | R | R | R | R | R |
| 7 | 6 | 5 | 4 | 3 | 2 | 1 | 0 |

| | |
|---------------------------------------------------------------------------------------------------------------------------------------------------------------------------------------------------------------------------------------------------------|-------------------------------------------------------------------------------------------------------------------------------------------------------------------------------------------------------------------------------------------------------------------------------------------------------------------------------------------------------------------------------------------------------------------------------------------------------|
| <p>XSR.15-8 = RESERVED FOR FUTURE ENHANCEMENTS (R)</p> <p>XSR.7 = STATE MACHINE STATUS (SMS) 1 = Page Buffer Program available 0 = Page Buffer Program not available</p> <p>XSR.6-0 =RESERVED FOR FUTURE ENHANCEMENTS (R)</p> | <p style="text-align: center;">NOTES:</p> <p>After issue a Page Buffer Program command (E8H), XSR.7="1" indicates that the entered command is accepted. If XSR.7 is "0", the command is not accepted and a next Page Buffer Program command (E8H) should be issued again to check if page buffer is available or not.</p> <p>XSR.15-8 and XSR.6-0 are reserved for future use and should be masked out when polling the extended status register.</p> |
|---------------------------------------------------------------------------------------------------------------------------------------------------------------------------------------------------------------------------------------------------------|-------------------------------------------------------------------------------------------------------------------------------------------------------------------------------------------------------------------------------------------------------------------------------------------------------------------------------------------------------------------------------------------------------------------------------------------------------|

Table 9. STS Configuration Definition ⁽¹⁾

| | | | | | | | |
|----|----|----|----|----|----|----|----|
| R | R | R | R | R | R | R | R |
| 15 | 14 | 13 | 12 | 11 | 10 | 9 | 8 |
| R | R | R | R | R | R | CC | CC |
| 7 | 6 | 5 | 4 | 3 | 2 | 1 | 0 |

| | |
|------------------------------------------------------------------------------------------------------------------------------------------------------------------------------------------------------------------------------------------------------------------------------------------------------------------------------------------------------------------------------------------------------------------------------------------------------------------------------------------------------------------------------------------------------------------------------------------------------------------------------------------------------------------------------------------|----------------------------------------------------------------------------------------------------------------------------------------------------------------------------------------------------------------------------------------------------------------------------------------------------------------------------------------------------------------------------------------------------------------------------------------------------------------------------------------------------------------------------------------------------------------------------------------------------------------------------------------------------------------------------------------------------------------------------------------------------------------------------------------------------------------------------------------------------------------------------------------------------------------------------------------------------|
| <p>DQ₁₅-DQ₂ = RESERVED FOR FUTURE ENHANCEMENTS (R)</p> <p>DQ₁-DQ₀ = STS CONFIGURATION CODE (CC) 00 = level mode: RY/BY# indication. (Default) 01 = pulse mode on erase complete. 10 = pulse mode on program complete. 11 = pulse mode on erase or program complete.</p> <p>In STS configuration = "00", STS is V_{OL} when the WSM is executing internal erase or program algorithms.</p> <p>STS configuration codes "01", "10" and "11" are all pulse modes such that the STS pin pulses low then high when the operation indicated by the configuration code is completed.</p> | <p style="text-align: center;">NOTES:</p> <p>After power-up or device reset, STS configuration is set to "00".</p> <p>STS configuration 00 The output of the STS pin is the control signal to prevent accessing a flash memory while the internal WSM is busy (SR.7="0").</p> <p>STS configuration 01 The output of the STS pin is the control signal to indicate that the erase operation is completed and the flash memory is available for the next operation.</p> <p>STS configuration 10 The output of the STS pin is the control signal to indicate that the program operation is completed and the flash memory is available for the next operation.</p> <p>STS configuration 11 The output of the STS pin is the control signal to indicate that the erase or program operation is completed and the flash memory is available for the next operation.</p> |
|------------------------------------------------------------------------------------------------------------------------------------------------------------------------------------------------------------------------------------------------------------------------------------------------------------------------------------------------------------------------------------------------------------------------------------------------------------------------------------------------------------------------------------------------------------------------------------------------------------------------------------------------------------------------------------------|----------------------------------------------------------------------------------------------------------------------------------------------------------------------------------------------------------------------------------------------------------------------------------------------------------------------------------------------------------------------------------------------------------------------------------------------------------------------------------------------------------------------------------------------------------------------------------------------------------------------------------------------------------------------------------------------------------------------------------------------------------------------------------------------------------------------------------------------------------------------------------------------------------------------------------------------------|

NOTE:

1. When the device is configured in one of the pulse modes, the STS pin pulses low with a typical pulse width of 250ns.

1 Electrical Specifications

1.1 Absolute Maximum Ratings *

Operating Temperature

During Read, Erase and Program ...-40°C to +85°C ⁽¹⁾

Storage Temperature

During under Bias..... -40°C to +85°C
 During non Bias..... -65°C to +125°C

Voltage On Any Pin (except V_{CC}, V_{CCQ} and V_{PEN})

..... -0.5V to V_{CCQ}+0.5V ⁽²⁾

V_{CC} and V_{CCQ} Supply Voltage -0.2V to +3.9V ⁽²⁾

V_{PEN} Supply Voltage..... -0.2V to +3.9V ⁽²⁾

Output Short Circuit Current 100mA ⁽³⁾

***WARNING:** Stressing the device beyond the "Absolute Maximum Ratings" may cause permanent damage. These are stress ratings only. Operation beyond the "Operating Conditions" is not recommended and extended exposure beyond the "Operating Conditions" may affect device reliability.

NOTES:

1. Operating temperature is for extended temperature product defined by this specification.
2. All specified voltages are with respect to GND. Minimum DC voltage is -0.5V on input/output pins and -0.2V on V_{CC}, V_{CCQ} and V_{PEN} pins. During transitions, this level may undershoot to -2.0V for periods <20ns. Maximum DC voltage on input/output pins is V_{CC}+0.5V which, during transitions, may overshoot to V_{CC}+2.0V for periods <20ns.
3. Output shorted for no more than one second. No more than one output shorted at a time.

1.2 Operating Conditions

| Symbol | Parameter | Notes | Min. | Typ. | Max. | Unit | Test Conditions |
|-------------------|----------------------------------------------------------|-------|---------|------|------|--------|---------------------|
| T _A | Operating Temperature | | -40 | +25 | +85 | °C | Ambient Temperature |
| V _{CC} | V _{CC} Supply Voltage | 1, 2 | 2.7 | 3.0 | 3.6 | V | |
| V _{CCQ} | I/O Supply Voltage | 1, 2 | 2.7 | 3.0 | 3.6 | V | |
| V _{PENH} | V _{PEN} Voltage | 1 | 2.7 | 3.0 | 3.6 | V | |
| | Block Erase Cycling: V _{PEN} =V _{PENH} | | 100,000 | | | Cycles | |

NOTES:

1. Refer to DC Characteristics tables for voltage range-specific specification.
2. V_{CC} and V_{CCQ} should be the same voltage.

1.2.1 Capacitance ⁽¹⁾ ($T_A=+25^\circ\text{C}$, $f=1\text{MHz}$)

| Symbol | Parameter | Min. | Typ. | Max. | Unit | Condition |
|-----------|--------------------|------|------|------|------|-----------------------|
| C_{IN} | Input Capacitance | | 6 | 8 | pF | $V_{IN}=0.0\text{V}$ |
| C_{OUT} | Output Capacitance | | 8 | 12 | pF | $V_{OUT}=0.0\text{V}$ |

NOTE:

1. Sampled, not 100% tested.

1.2.2 AC Input/Output Test Conditions

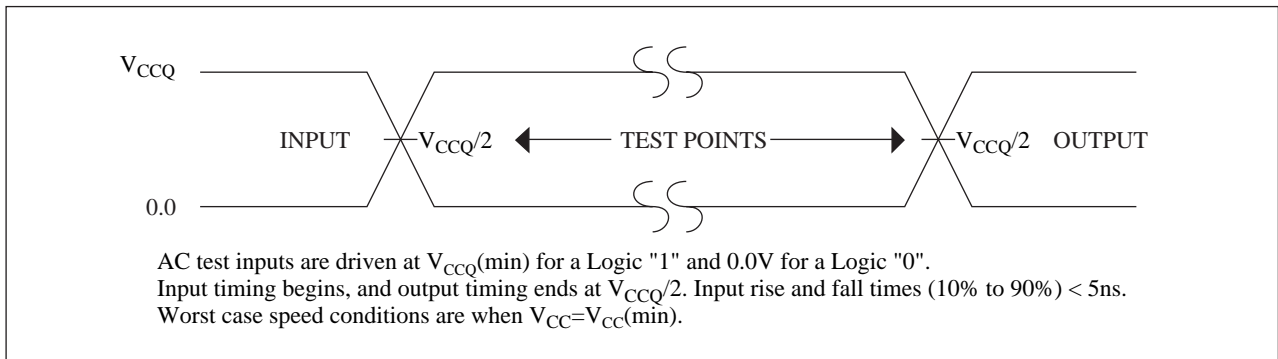


Figure 4. Transient Input/Output Reference Waveform for $V_{CC}=2.7\text{V}-3.6\text{V}$

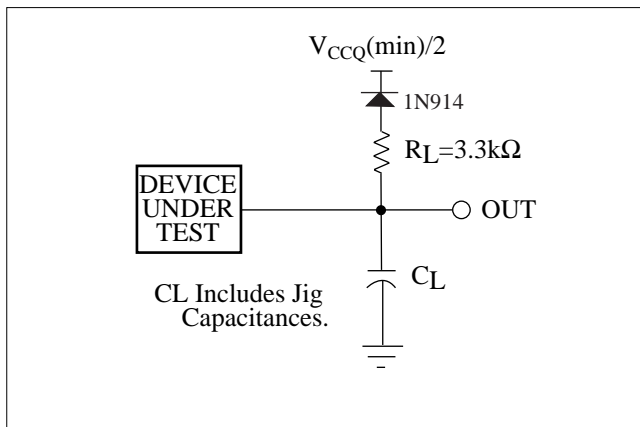


Figure 5. Transient Equivalent Testing Load Circuit

Table 10. Configuration Capacitance Loading Value

| Test Configuration | C_L (pF) |
|----------------------------------|------------|
| $V_{CC}=2.7\text{V}-3.6\text{V}$ | 30 |

1.2.3 DC Characteristics

$V_{CC}=2.7V-3.6V$

| Symbol | Parameter | | Notes | Min. | Typ. | Max. | Unit | Test Conditions |
|------------|---------------------------------------------------------------|------------------------|---------|------|------|------|---------|-------------------------------------------------------------------------------------------------------------------------------------------|
| I_{LI} | Input Load Current | | 1 | -1 | | +1 | μA | $V_{CC}=V_{CCMax.}$, |
| I_{LO} | Output Leakage Current | | 1 | -10 | | +10 | μA | $V_{CCQ}=V_{CCQMax.}$, $V_{IN}/V_{OUT}=V_{CCQ}$ or GND |
| I_{CCS} | V_{CC} Standby Current | | 1, 2, 8 | | 50 | 120 | μA | CMOS Inputs, $V_{CC}=V_{CCMax.}$, $V_{CCQ}=V_{CCQMax.}$, Device is disabled (refer to Table 2), $RP\#=V_{CCQ}\pm 0.2V$ |
| | | | | | 0.71 | 2 | mA | TTL Inputs, $V_{CC}=V_{CCMax.}$, $V_{CCQ}=V_{CCQMax.}$, Device is disabled (refer to Table 2), $RP\#=V_{IH}$ |
| I_{CCAS} | V_{CC} Automatic Power Savings Current | | 1, 2, 5 | | 50 | 120 | μA | CMOS Inputs, $V_{CC}=V_{CCMax.}$, $V_{CCQ}=V_{CCQMax.}$, Device is enabled (refer to Table 2) |
| I_{CCD} | V_{CC} Reset Current | | 1 | | 50 | 120 | μA | $RP\#=GND\pm 0.2V$ $I_{OUT}(STS)=0mA$ |
| I_{CCR} | Average V_{CC} Page Mode Read Current | 4 word/ 8 byte read | 1, 2 | | 15 | 20 | mA | CMOS Inputs, $V_{CC}=V_{CCMax.}$, $V_{CCQ}=V_{CCQMax.}$, Device is enabled (refer to Table 2), $f=5MHz$, $I_{OUT}=0mA$ |
| | | | 1, 2 | | 24 | 29 | mA | CMOS Inputs, $V_{CC}=V_{CCMax.}$, $V_{CCQ}=V_{CCQMax.}$, Device is enabled (refer to Table 2), $f=33MHz$, $I_{OUT}=0mA$ |
| | Average V_{CC} Read Current | 1 word/ 1 byte read | 1, 2 | | 40 | 50 | mA | CMOS Inputs, $V_{CC}=V_{CCMax.}$, $V_{CCQ}=V_{CCQMax.}$, Device is enabled (refer to Table 2), $f=5MHz$, $I_{OUT}=0mA$ |
| I_{CCW} | V_{CC} (Page Buffer) Program, Set Block Lock Bit Current | | 1, 2, 6 | | 35 | 60 | mA | CMOS Inputs, $V_{PEN}=V_{PENH}$ |
| | | | 1, 2, 6 | | 40 | 70 | mA | TTL Inputs, $V_{PEN}=V_{PENH}$ |

DC Characteristics (Continued)

$V_{CC}=2.7V-3.6V$

| Symbol | Parameter | Notes | Min. | Typ. | Max. | Unit | Test Conditions |
|--------------------------|----------------------------------------------------------------------------------------------------------------------------------|---------|-----------------------|------|-----------------|------|------------------------------------------------------------------------|
| I_{CCCE} | V_{CC} Block Erase, Clear Block Lock Bits Current | 1, 2, 6 | | 35 | 70 | mA | CMOS Inputs, $V_{PEN}=V_{PENH}$ |
| | | 1, 2, 6 | | 40 | 80 | mA | TTL Inputs, $V_{PEN}=V_{PENH}$ |
| I_{CCWS} I_{CCES} | V_{CC} (Page Buffer) Program or Block Erase Suspend Current | 1, 3 | | | 10 | mA | Device is disabled (refer to Table 2). |
| V_{IL} | Input Low Voltage | 6 | -0.5 | | 0.8 | V | |
| V_{IH} | Input High Voltage | 6 | 2.0 | | $V_{CCQ} + 0.5$ | V | |
| V_{OL} | Output Low Voltage | 6, 8 | | | 0.4 | V | $V_{CC}=V_{CCMin.}$, $V_{CCQ}=V_{CCQMin.}$, $I_{OL}=2mA$ |
| | | | | | 0.2 | V | $V_{CC}=V_{CCMin.}$, $V_{CCQ}=V_{CCQMin.}$, $I_{OL}=100\mu A$ |
| V_{OH} | Output High Voltage | 6, 8 | $0.85 \times V_{CCQ}$ | | | V | $V_{CC}=V_{CCMin.}$, $V_{CCQ}=V_{CCQMin.}$, $I_{OH}=-1.5mA$ |
| | | | $V_{CCQ} - 0.2$ | | | V | $V_{CC}=V_{CCMin.}$, $V_{CCQ}=V_{CCQMin.}$, $I_{OH}=-100\mu A$ |
| V_{PENLK} | V_{PEN} Lockout Voltage during Normal Operations | 4, 6, 7 | | | 1.0 | V | |
| V_{PENH} | V_{PEN} Voltage during Block Erase, (Page Buffer) Program, Set Block Lock Bit, Clear Block Lock Bits or OTP Program Operations | 4, 7 | 2.7 | 3.0 | 3.6 | V | |
| V_{LKO} | V_{CC} Lockout Voltage | 4 | 2.0 | | | V | |

NOTES:

- All currents are in RMS unless otherwise noted. Typical values are the reference values at $V_{CC}=3.0V$, $V_{CCQ}=3.0V$ and $T_A=+25^\circ C$ unless V_{CC} is specified.
- CMOS inputs are either $V_{CCQ} \pm 0.2V$ or $GND \pm 0.2V$. TTL inputs are either V_{IL} or V_{IH} .
- I_{CCWS} and I_{CCES} are specified with the device de-selected. If read or (page buffer) program is executed while in block erase suspend mode, the device's current draw is the sum of I_{CCES} and I_{CCR} or I_{CCW} . If read is executed while in (page buffer) program suspend mode, the device's current draw is the sum of I_{CCWS} and I_{CCR} .
- Block erase, (page buffer) program, block lock configuration and OTP program operations are inhibited when $V_{PEN} \leq V_{PENLK}$ or $V_{CC} \leq V_{LKO}$. These operations are not guaranteed outside the specified voltage ($V_{CC}=2.7V-3.6V$ and $V_{PEN}=2.7V-3.6V$).
- The Automatic Power Savings (APS) feature automatically places the device in power save mode after read cycle completion. Standard address access timings (t_{AVQV}) provide new data when addresses are changed.
- Sampled, not 100% tested.
- V_{PEN} is not used for power supply pin. With $V_{PEN} \leq V_{PENLK}$, block erase, (page buffer) program, block lock configuration and OTP program operations are inhibited.
- Includes STS.

1.2.4 AC Characteristics - Read-Only Operations ⁽¹⁾ $T_A = -40^\circ\text{C}$ to $+85^\circ\text{C}$

| Symbol | Parameter | Notes | V_{CC} | | V_{CCQ} | | Unit |
|---------------------|----------------------------------------------------------------|-------|-----------|-----------|-----------|-----------|------|
| | | | 3.0V-3.6V | 2.7V-3.6V | 3.0V-3.6V | 2.7V-3.6V | |
| t_{AVAV} | Read Cycle Time | | 120 | | 120 | | ns |
| t_{AVQV} | Address to Output Delay | | | 120 | | 120 | ns |
| t_{ELQV} | CE_X to Output Delay | 3, 4 | | 120 | | 120 | ns |
| t_{APA} | Page Address Access Time | | | 25 | | 30 | ns |
| t_{GLQV} | OE# to Output Delay | 3 | | 25 | | 30 | ns |
| t_{PHQV} | RP# High to Output Delay | | | 180 | | 180 | ns |
| t_{ELQX} | CE_X to Output in Low Z | 2, 4 | 0 | | 0 | | ns |
| t_{GLQX} | OE# to Output in Low Z | 2 | 0 | | 0 | | ns |
| t_{EHQZ} | CE_X to Output in High Z | 2, 5 | | 35 | | 35 | ns |
| t_{GHQZ} | OE# to Output in High Z | 2 | | 15 | | 15 | ns |
| t_{OH} | Output Hold from First Occurring Address, CE_X or OE# change | 2, 5 | 0 | | 0 | | ns |
| t_{ELFL}/t_{ELFH} | CE_X Setup to BYTE# Going Low or High | 2, 4 | | 10 | | 10 | ns |
| t_{FLQV}/t_{FHQV} | BYTE# to Output Delay | | | 1000 | | 1000 | ns |
| t_{FLQZ}/t_{FHQZ} | BYTE# to Output in High Z | 2 | | 1000 | | 1000 | ns |

NOTES:

1. Refer to AC input/output reference waveform for timing measurements and maximum allowable input slew rate.
2. Sampled, not 100% tested.
3. OE# may be delayed up to $t_{ELQV} - t_{GLQV}$ after the first edge of CE_0 , CE_1 or CE_2 that enables the device (refer to Table 2) without impact to t_{ELQV} .
4. The timing is defined from the first edge of CE_0 , CE_1 or CE_2 that enables the device.
5. The timing is defined from the first edge of CE_0 , CE_1 or CE_2 that disables the device.

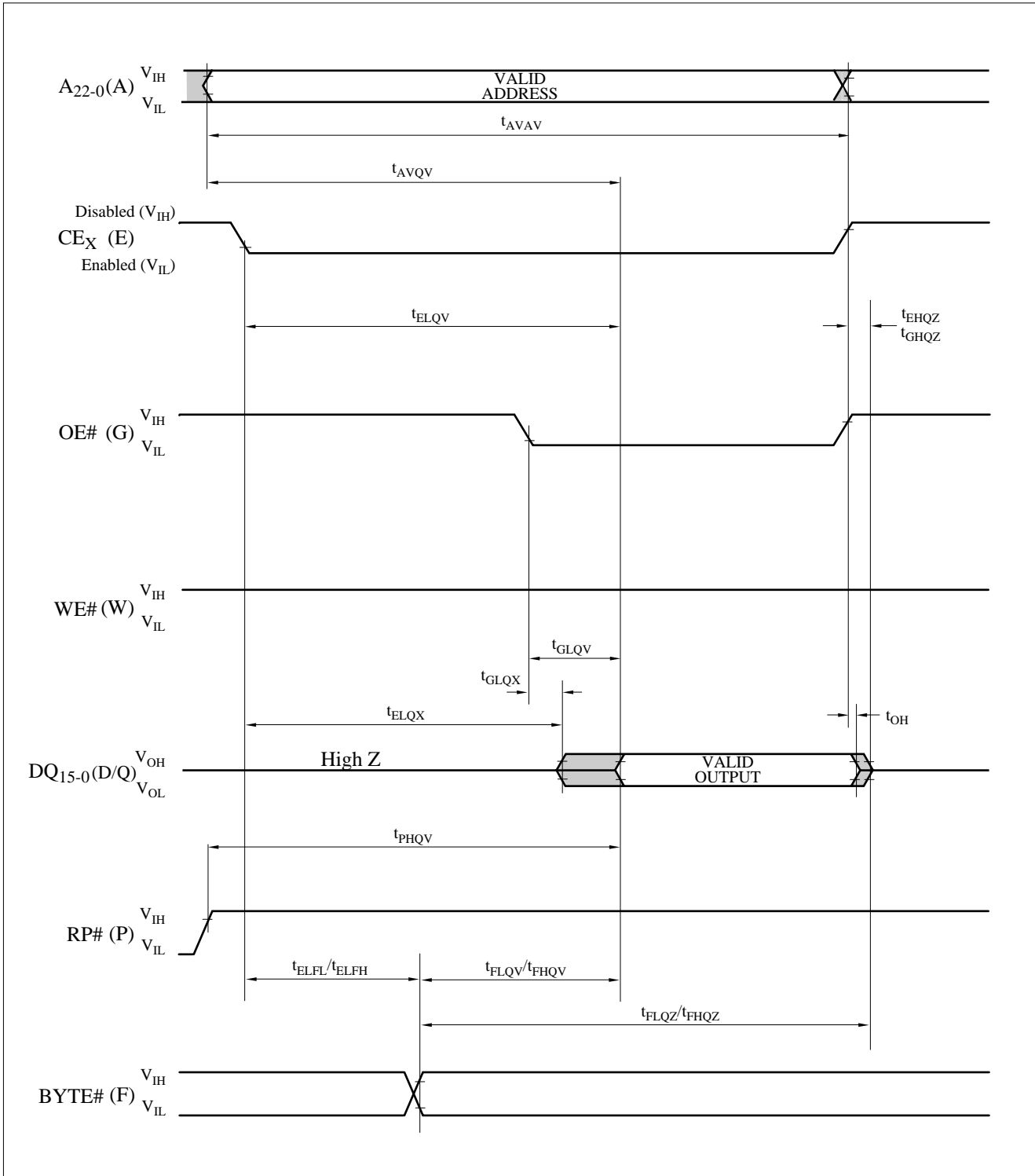


Figure 6. AC Waveform for 1-Word/ 1-Byte Read Operations
(Status Register, Identifier Codes, OTP Block or Query Code)

NOTE:

1. Status register, identifier codes, OTP block and query code can only be read in 1-word/ 1-byte read operations.

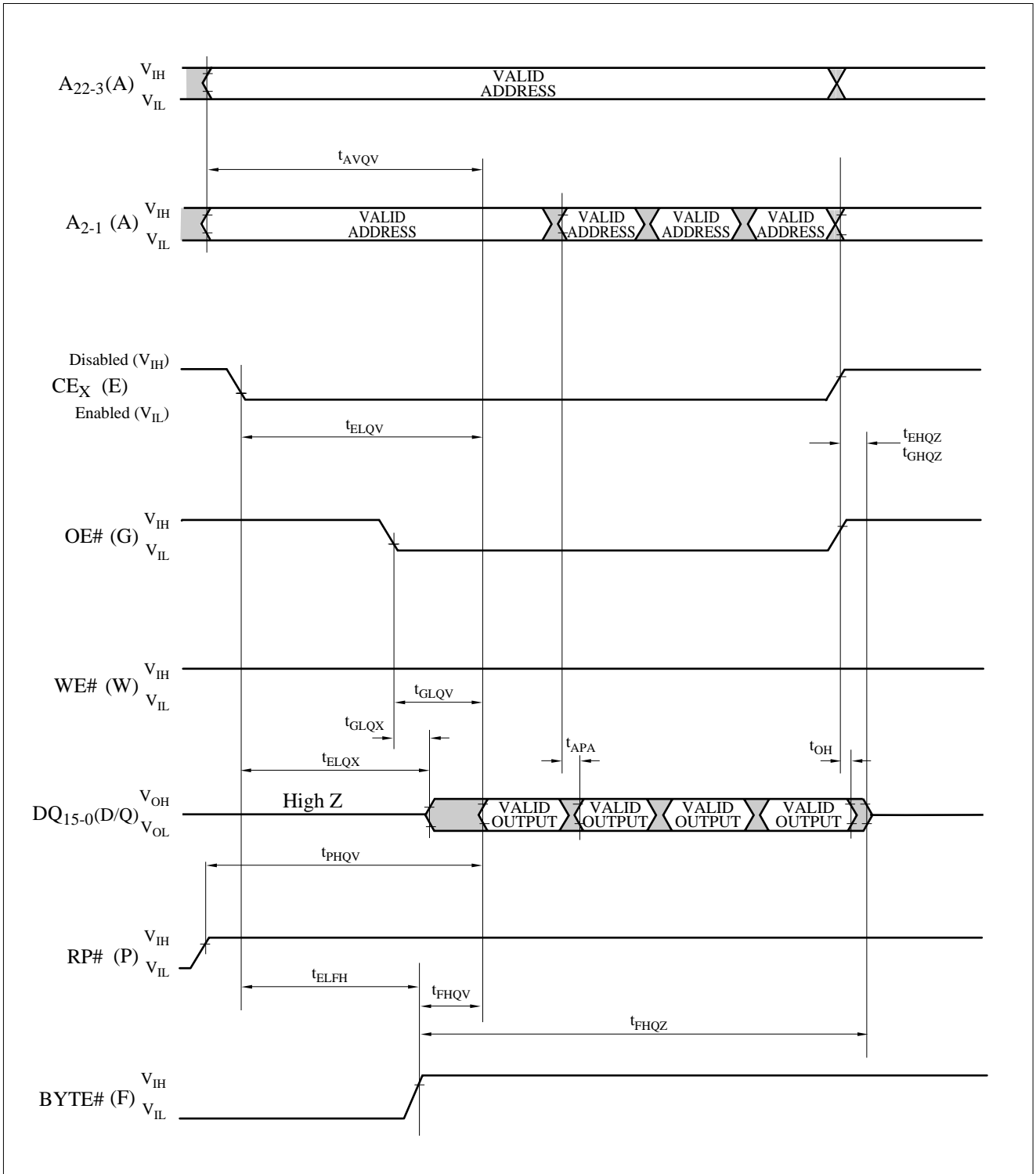


Figure 7. AC Waveform for 4-Word Page Mode Read Operations (Memory Array)

NOTE:

1. Memory array supports page mode read operations.

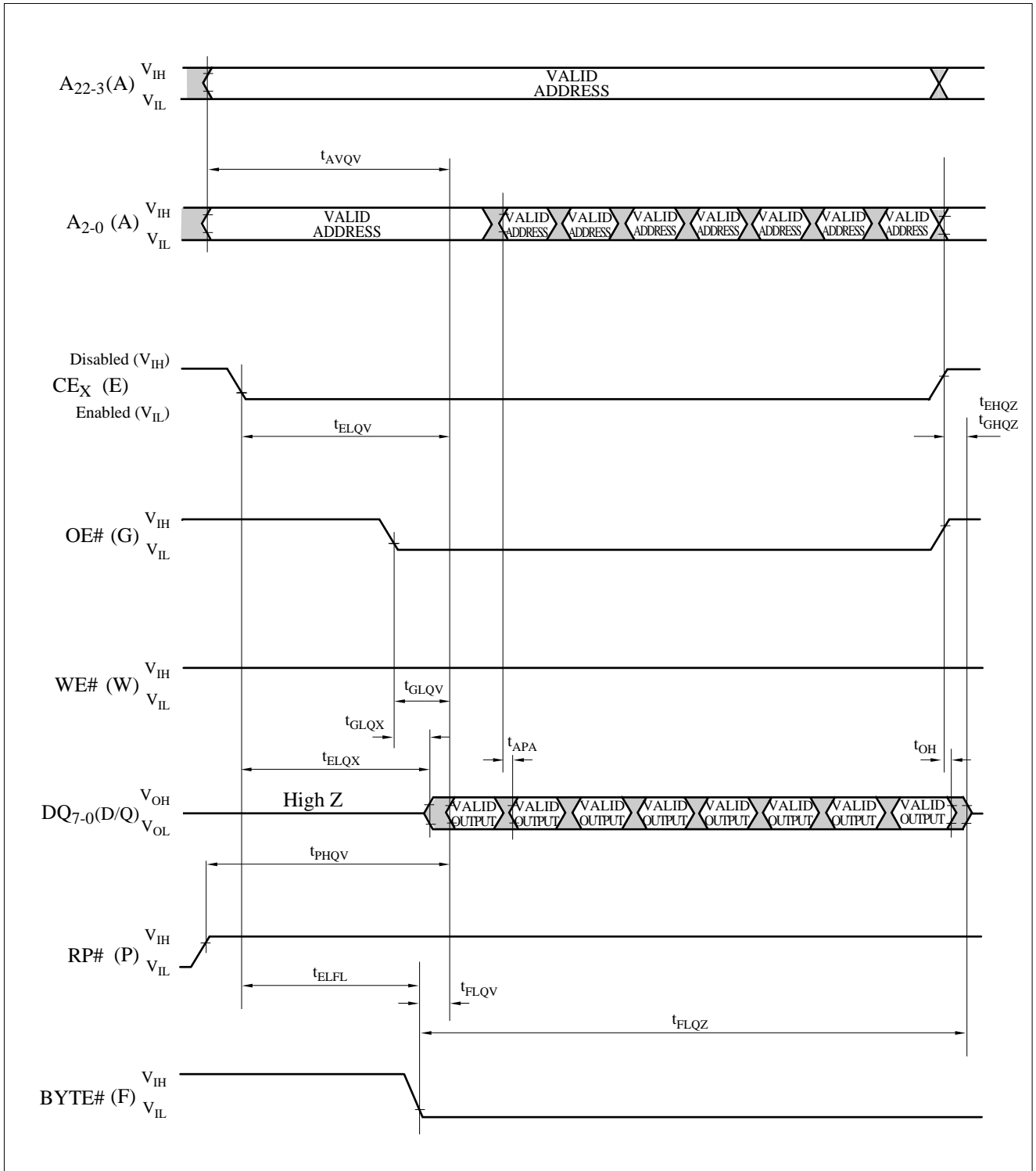


Figure 8. AC Waveform for 8-Byte Page Mode Read Operations (Memory Array)

NOTE:

1. Memory array supports page mode read operations.

1.2.5 AC Characteristics - Write Operations ^{(1), (2)}

$$V_{CC}=2.7V-3.6V, T_A=-40^{\circ}C \text{ to } +85^{\circ}C$$

| Symbol | Parameter | Notes | Min. | Max. | Unit |
|-------------------------------------------------------|------------------------------------------------------|----------|------|------|---------|
| t_{AVAV} | Write Cycle Time | | 120 | | ns |
| t_{PHWL} (t_{PHEL}) | RP# High Recovery to WE# (CE_X) Going Low | 3, 9 | 1 | | μ s |
| t_{ELWL} (t_{WLEL}) | CE_X (WE#) Setup to WE# (CE_X) Going Low | 9 | 0 | | ns |
| t_{WLWH} (t_{ELEH}) | WE# (CE_X) Pulse Width Low | 4, 9, 10 | 70 | | ns |
| t_{DVVH} (t_{DVEH}) | Data Setup to WE# (CE_X) Going High | 7, 10 | 50 | | ns |
| t_{AVVH} (t_{AVEH}) | Address Setup to WE# (CE_X) Going High | 7, 10 | 55 | | ns |
| t_{WHEH} (t_{EHWH}) | CE_X (WE#) Hold from WE# (CE_X) High | 10 | 0 | | ns |
| t_{WHDX} (t_{EHDX}) | Data Hold from WE# (CE_X) High | 10 | 0 | | ns |
| t_{WHAX} (t_{EHAX}) | Address Hold from WE# (CE_X) High | 10 | 0 | | ns |
| t_{WHWL} (t_{EHEL}) | WE# (CE_X) Pulse Width High | 5, 9, 10 | 30 | | ns |
| t_{VVVH} (t_{VVEH}) | V_{PEN} Setup to WE# (CE_X) Going High | 3, 10 | 0 | | ns |
| t_{WHGL} (t_{EHGL}) | Write Recovery before Read | 8 | 35 | | ns |
| t_{WHR0} (t_{EHR0}) t_{WHRL} (t_{EHL}) | WE# (CE_X) High to SR.7 Going "0", STS Going Low | 10, 11 | | 500 | ns |
| t_{QVVL} | V_{PEN} Hold from Valid SRD, STS High Z | 3, 6, 11 | 0 | | ns |
| t_{FLWH}/t_{FHWL} (t_{FLEH}/t_{FHEH}) | BYTE# Setup to WE# (CE_X) Going High | 10 | 50 | | ns |
| t_{WHFL}/t_{WHFH} (t_{EHFL}/t_{EHFH}) | BYTE# Hold from WE# (CE_X) High | 10 | 90 | | ns |

NOTES:

- The timing characteristics for reading the status register during block erase, (page buffer) program, block lock configuration and OTP program operations are the same as during read-only operations. Refer to AC Characteristics for read-only operations.
- A write operation can be initiated and terminated with either CE_0 , CE_1 , CE_2 or WE#.
- Sampled, not 100% tested.
- Write pulse width low (t_{WP}) is defined from the first edge of CE_0 , CE_1 or CE_2 that enables the device or the falling edge of WE# (whichever occurs last) to the first edge of CE_0 , CE_1 or CE_2 that disables the device or the rising edge of WE# (whichever occurs first). Hence, $t_{WP}=t_{WLWH}=t_{ELEH}=t_{WLEH}=t_{ELWH}$.
- Write pulse width high (t_{WPH}) is defined from the first edge of CE_0 , CE_1 or CE_2 that disables the device or the rising edge of WE# (whichever occurs first) to the first edge of CE_0 , CE_1 or CE_2 that enables the device or the falling edge of WE# (whichever occurs last). Hence, $t_{WPH}=t_{WHWL}=t_{EHEL}=t_{WHEL}=t_{EHWL}$.
- V_{PEN} should be held at $V_{PEN}=V_{PENH}$ until determination of block erase, (page buffer) program, block lock configuration or OTP program success (SR.1/3/4/5=0).
- Refer to Table 5 for valid address and data for block erase, (page buffer) program, block lock configuration and OTP program.
- The output delay time t_{AVQV} or t_{ELQV} is required in addition to t_{WHGL} (t_{EHGL}) for read operations after command writes.
- The timing is defined from the first edge of CE_0 , CE_1 or CE_2 that enables the device.
- The timing is defined from the first edge of CE_0 , CE_1 or CE_2 that disables the device.
- STS timings depend on STS configuration.

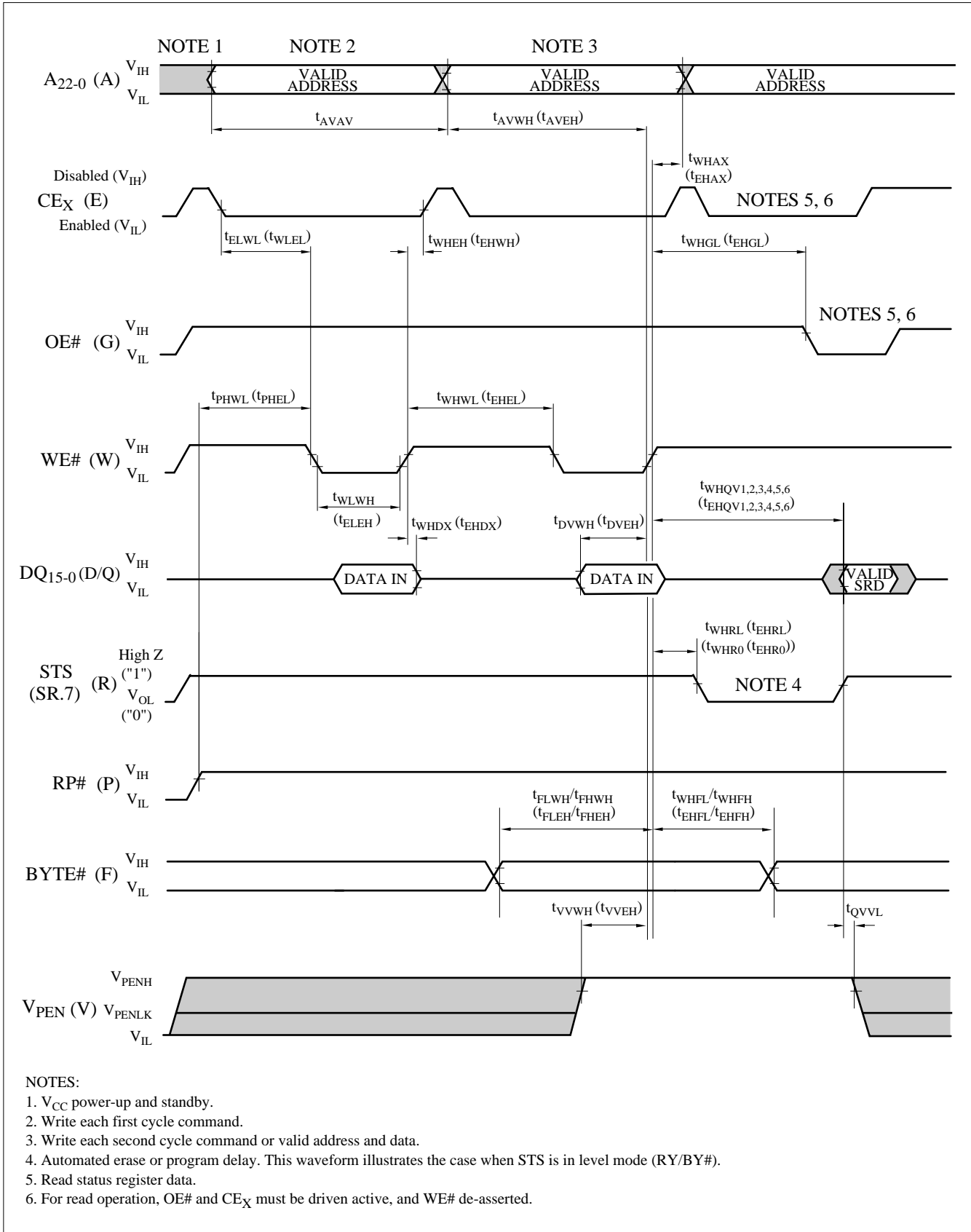


Figure 9. AC Waveform for Write Operations

1.2.6 Reset Operations

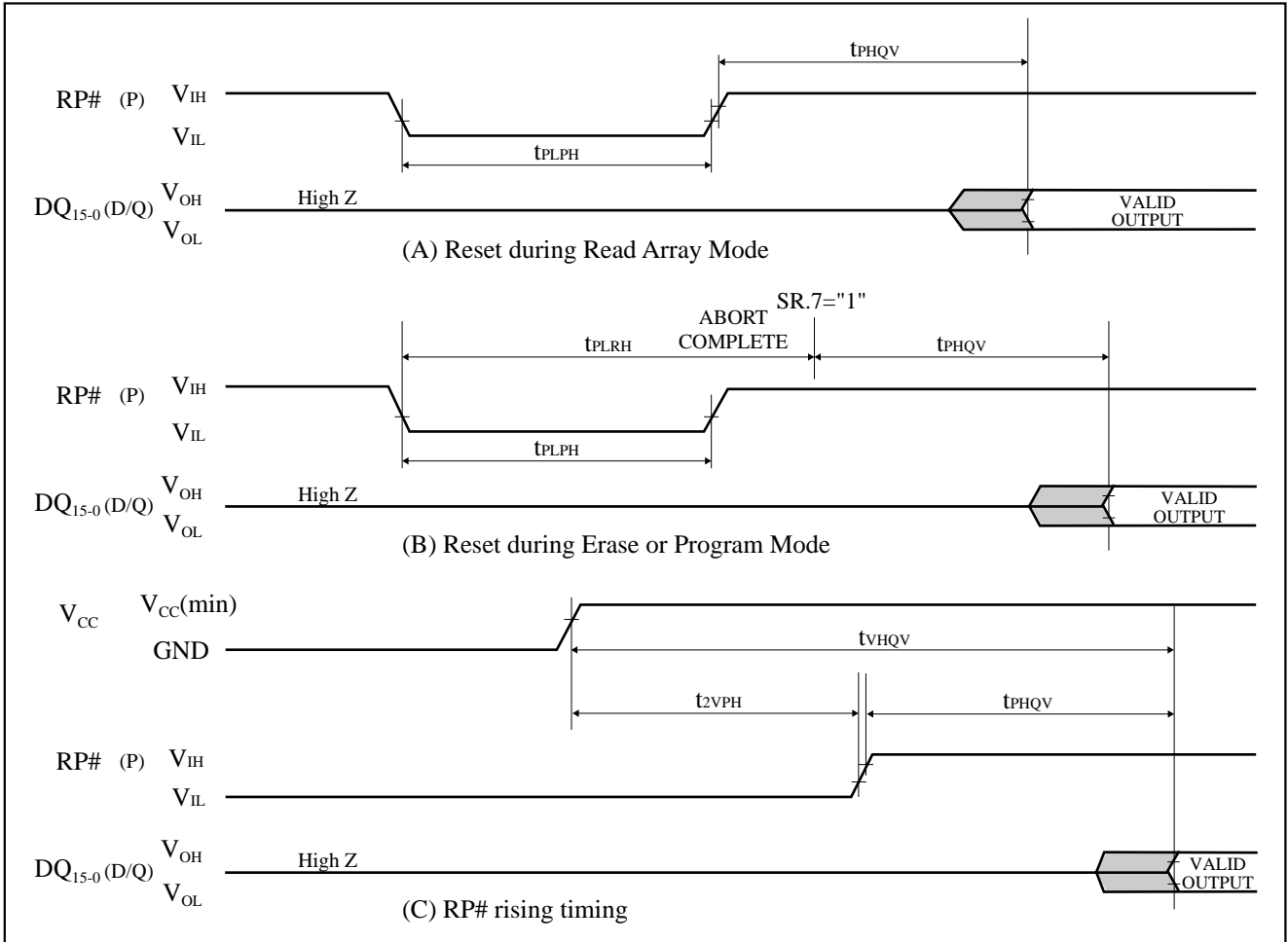


Figure 10. AC Waveform for Reset Operations

Reset AC Specifications ($V_{CC}=2.7V-3.6V$, $T_A=-40^{\circ}C$ to $+85^{\circ}C$)

| Symbol | Parameter | Notes | Min. | Max. | Unit |
|------------|-----------------------------------------------------------------|---------|------|------|---------|
| t_{PLPH} | RP# Low to Reset during Read (RP# must be low during power-up.) | 1, 2, 3 | 100 | | ns |
| t_{PLRH} | RP# Low to Reset during Erase or Program | 1, 3, 4 | | 30 | μs |
| t_{2VPH} | V_{CC} 2.7V to RP# High | 1, 3, 5 | 100 | | ns |
| t_{VHQV} | V_{CC} 2.7V to Output Delay | 3 | | 1 | ms |

NOTES:

1. A reset time, t_{PHQV} , is required from the later of SR.7 (STS) going "1" (High Z) or RP# going high until outputs are valid. Refer to AC Characteristics - Read-Only Operations for t_{PHQV} .
2. The device may reset if t_{PLPH} is $<100ns$, but this is not guaranteed.
3. Sampled, not 100% tested.
4. If RP# asserted while a block erase, (page buffer) program, block lock configuration or OTP program operation is not executing, the reset will complete within 100ns.
5. When the device power-up, holding RP# low minimum 100ns is required after V_{CC} has been in predefined range and also has been in stable there.

1.2.7 Block Erase, (Page Buffer) Program and Block Lock Configuration Performance⁽³⁾

$$V_{CC}=2.7V-3.6V, T_A=-40^{\circ}C \text{ to } +85^{\circ}C$$

| Symbol | Parameter | Notes | V _{PEN} =V _{PENH} | | | Unit |
|--------------------------------------------|-----------------------------------------------------------------------------------|------------|-------------------------------------|---------------------|------|------|
| | | | Min. | Typ. ⁽¹⁾ | Max. | |
| | Page Buffer Program Time (Time to Program 16 words/ 32 bytes) | 2, 6, 7 | | 400 | 1200 | μs |
| t _{WHQV3} / t _{EHQV3} | Program Time | 2 | | 210 | 630 | μs |
| | Block Program Time (Using Page Buffer Program Command) | 2 | | 1.6 | 4.8 | s |
| t _{WHQV4} / t _{EHQV4} | Block Erase Time | 2 | | 1 | 5 | s |
| t _{WHQV5} / t _{EHQV5} | Set Block Lock Bit Time | 2 | | 64 | 85 | μs |
| t _{WHQV6} / t _{EHQV6} | Clear Block Lock Bits Time | 2 | | 0.5 | 0.7 | s |
| t _{WHRH1} / t _{EHRH1} | (Page Buffer) Program Suspend Latency Time to Read | 4 | | 25 | 90 | μs |
| t _{WHRH2} / t _{EHRH2} | Block Erase Suspend Latency Time to Read | 4 | | 26 | 40 | μs |
| t _{ERES} | Latency Time from Block Erase Resume Command to Block Erase Suspend Command | 5 | 600 | | | μs |

NOTES:

1. Typical values measured at V_{CC}=3.0V, V_{PEN}=3.0V and T_A=+25°C. Assumes corresponding lock bits are not set. Subject to change based on device characterization.
2. Excludes external system-level overhead.
3. Sampled, but not 100% tested.
4. A latency time is required from writing suspend command (the first edge of CE₀, CE₁ or CE₂ that disables the device or the rising edge of WE#) until SR.7 going "1" or STS going High Z.
5. If the interval time from a Block Erase Resume command to a subsequent Block Erase Suspend command is shorter than t_{ERES} and its sequence is repeated, the block erase operation may not be finished.
6. These values are valid when the page buffer is full, and the start address is aligned on a 16-word/ 32-byte boundary.
7. Program time per byte (t_{WHQV1}/ t_{EHQV1}) is 12.5μs/byte (typical).
Program time per word (t_{WHQV2}/ t_{EHQV2}) is 25.0μs/word (typical).

2 Related Document Information⁽¹⁾

| Document No. | Document Name |
|--------------|----------------------------|
| FUM03201 | LH28F640SP series Appendix |

NOTE:

1. International customers should contact their local SHARP or distribution sales offices.

3 Package and packing specification

[Applicability]

This specification applies to IC package of the LEAD-FREE delivered as a standard specification.

1. Storage Conditions.

1-1. Storage conditions required before opening the dry packing.

- Normal temperature : 5~40°C
- Normal humidity : 80%(Relative humidity) max.
- "Humidity" means "Relative humidity"

1-2. Storage conditions required after opening the dry packing.

In order to prevent moisture absorption after opening, ensure the following storage conditions apply:

- (1) Storage conditions for one-time soldering. (Convection reflow^{*1}, IR/Convection reflow.^{*1}, or Manual soldering.)
 - Temperature : 5~25°C
 - Humidity : 60% max.
 - Period : 96 hours max. after opening.
- (2) Storage conditions for two-time soldering. (Convection reflow^{*1}, IR/Convection reflow.^{*1})
 - a. Storage conditions following opening and prior to performing the 1st reflow.
 - Temperature : 5~25°C
 - Humidity : 60% max.
 - Period : 96 hours max. after opening.
 - b. Storage conditions following completion of the 1st reflow and prior to performing the 2nd reflow.
 - Temperature : 5~25°C
 - Humidity : 60% max.
 - Period : 96 hours max. after completion of the 1st reflow.

*1: Air or nitrogen environment.

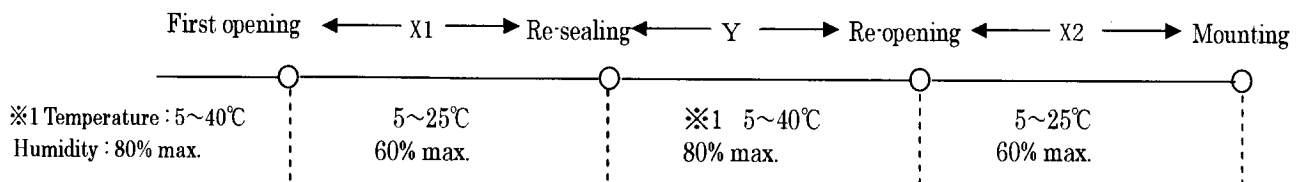
1-3. Temporary storage after opening.

To re-store the devices before soldering, do so only once and use a dry box or place desiccant (with a blue humidity indicator) with the devices and perform dry packing again using heat-sealing.

The storage period, temperature and humidity must be as follows :

(1) Storage temperature and humidity.

※1 : External atmosphere temperature and humidity of the dry packing.



(2) Storage period.

- X1 + X2 : Refer to Section 1-2(1) and (2)a , depending on the mounting method.
- Y : Two weeks max.

2. Baking Condition.

(1) Situations requiring baking before mounting.

- Storage conditions exceed the limits specified in Section 1-2 or 1-3.
- Humidity indicator in the desiccant was already red (pink) when opened.
(Also for re-opening.)

(2) Recommended baking conditions.

- Baking temperature and period :
120°C for 16~24 hours.
- The above baking conditions apply since the trays are heat-resistant.

(3) Storage after baking.

- After baking, store the devices in the environment specified in Section 1-2 and mount immediately.

3. Surface mount conditions.

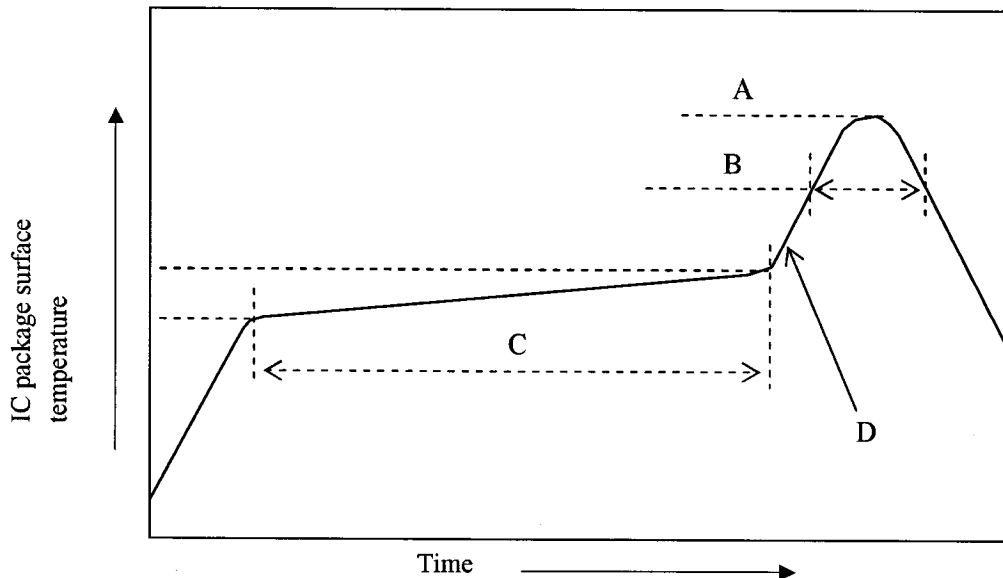
The following soldering condition are recommended to ensure device quality.

3-1.Soldering.

(1) Convection reflow or IR/Convection. (one-time soldering or two-time soldering in air or nitrogen environment)

- Temperature and period :

| | |
|-------------------------------|-------------------------------------------|
| A) Peak temperature. | 250°C max. |
| B) Heating temperature. | 40 to 60 seconds as 220°C |
| C) Preheat temperature. | It is 150 to 200°C, and is 120±30 seconds |
| D) Temperature increase rate. | It is 1 to 3°C/seconds |
- Measuring point : IC package surface.
- Temperature profile:



(2) Manual soldering (soldering iron) (one-time soldering only)

Soldering iron should only touch the IC's outer leads.

- Temperature and period :
350°C max. for 3 seconds / pin max.
(Soldering iron should only touch the IC's outer leads.)
- Measuring point : Soldering iron tip.

4. Condition for removal of residual flux.

- (1) Ultrasonic washing power : 25 watts / liter max.
- (2) Washing time : Total 1 minute max.
- (3) Solvent temperature : 15~40°C

5. Package outline specification.

Refer to the attached drawing.

(Plastic body dimensions do not include burr of resin.)

The contents of LEAD-FREE TYPE application of the specifications. (*2)

6. Markings.

6-1. Marking details. (The information on the package should be given as follows.)

- (1) Product name : LH28F640SPHT-PTLZ8
- (2) Company name : SHARP
- (3) Date code : (Example) YYWW XXX
 - YY → Denotes the production year. (Last two digits of the year.)
 - WW → Denotes the production week. (01 · 02 · ~ · 52 · 53)
 - XXX → Denotes the production ref. code (1~3 digits).
- (4) "JAPAN" indicates the country of origin.

6-2. Marking layout.

The layout is shown in the attached drawing.

(However, this layout does not specify the size of the marking character and marking position.)

*2 The contents of LEAD-FREE TYPE application of the specifications.

| | |
|----------------------------------------------------------------|-----------------------------------|
| LEAD FINISH or BALL TYPE | LEAD-FREE TYPE (Sn-Bi) |
| DATE CODE | They are those with an underline. |
| The word of " LEAD FREE" is printed on the packing label | Printed |

7. Packing Specifications (Dry packing for surface mount packages.)

7-1. Packing materials.

| Material name | Material specifications | Purpose |
|------------------------|----------------------------------------------|---------------------------------------------------|
| Inner carton | Cardboard (910 devices / inner carton max.) | Packing the devices. (10 trays / inner carton) |
| Tray | Conductive plastic (91 devices / tray) | Securing the devices. |
| Upper cover tray | Conductive plastic (1 tray / inner carton) | Securing the devices. |
| Laminated aluminum bag | Aluminum polyethylene | Keeping the devices dry. |
| Desiccant | Silica gel | Keeping the devices dry. |
| Label | Paper | Indicates part number, quantity, and packed date. |
| PP band | Polypropylene (3 pcs. / inner carton) | Securing the devices. |
| Outer carton | Cardboard (3640 devices / outer carton max.) | Outer packing. |

(Devices must be placed on the tray in the same direction.)

7-2. Outline dimension of tray.

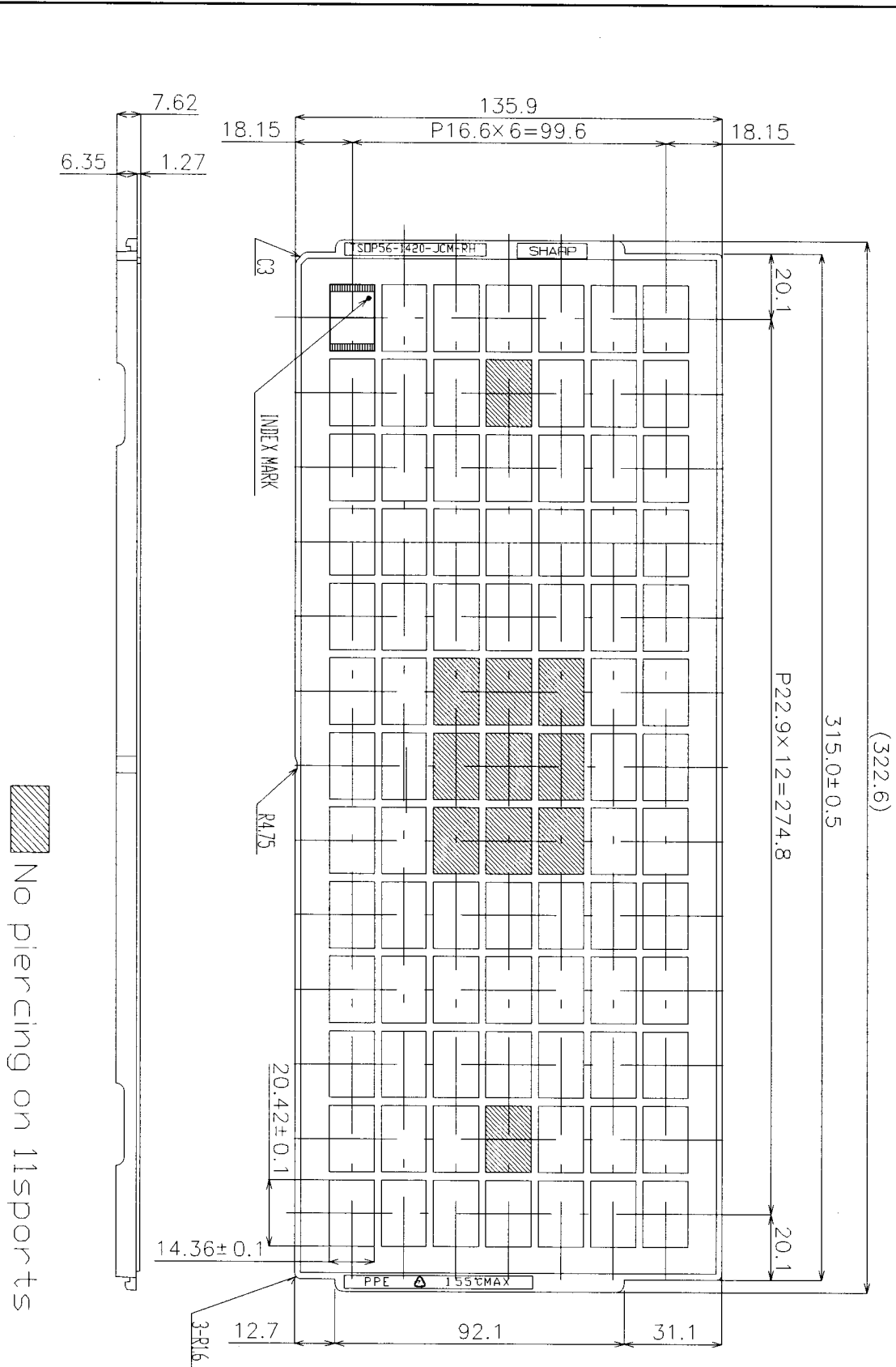
Refer to the attached drawing.

7-3. Outline dimension of carton.

Refer to the attached drawing.

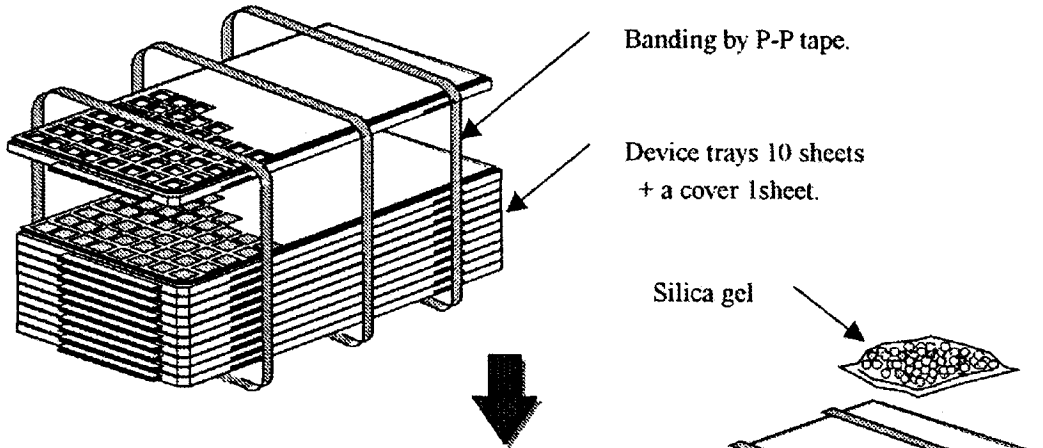
8. Precautions for use.

- (1) Opening must be done on an anti-ESD treated workbench.
All workers must also have undergone anti-ESD treatment.
- (2) The trays have undergone either conductive or anti-ESD treatment.
If another tray is used, make sure it has also undergone conductive or anti-ESD treatment.
- (3) The devices should be mounted the devices within one year of the date of delivery.

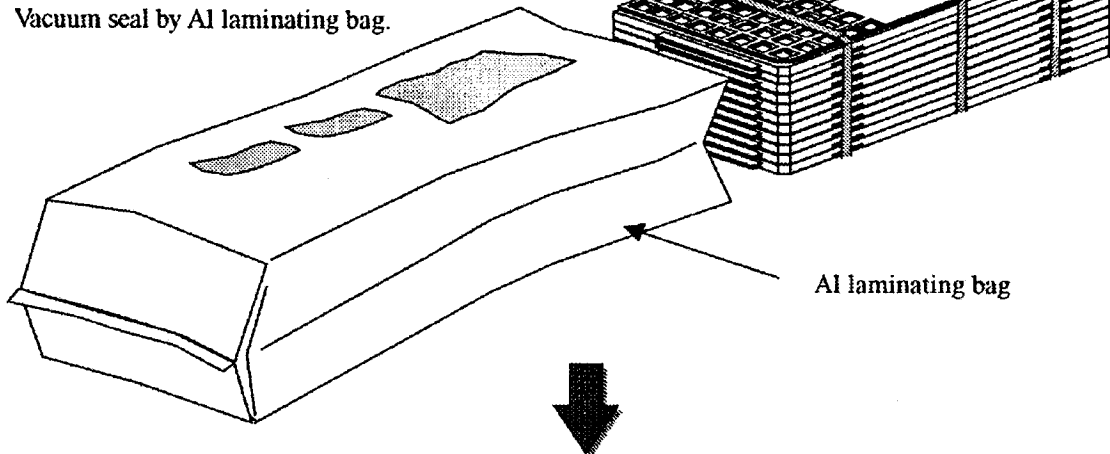


| | | | |
|-------------|----------------------|------------|------------|
| 名称 NAME | TSOP56-1420-JCM-RH-N | | 備考 NOTE |
| DRAWING NO. | CV912 | 単位 UNIT | mm |

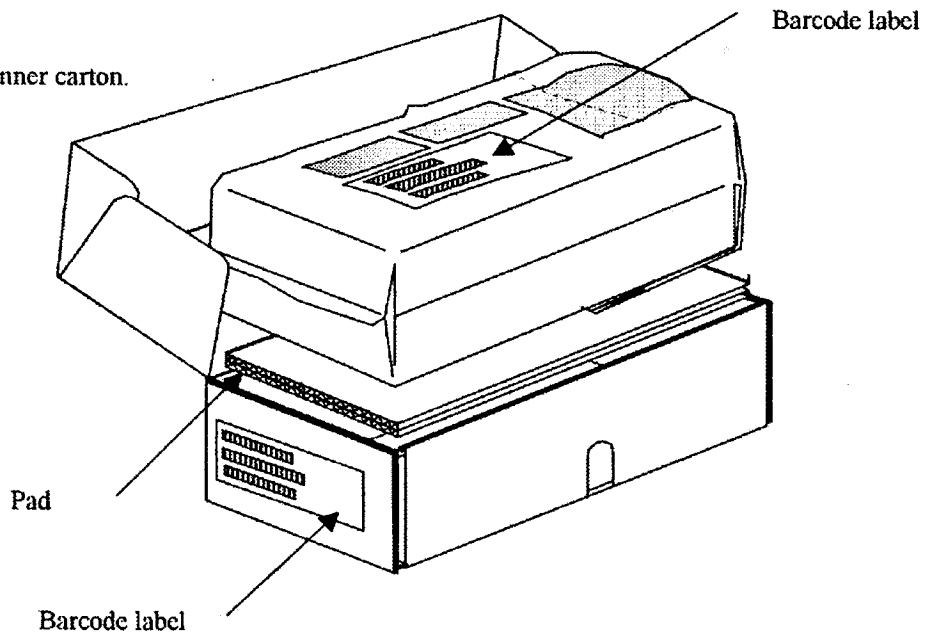
(1) Banding device tray together.



(2) Vacuum seal by Al laminating bag.

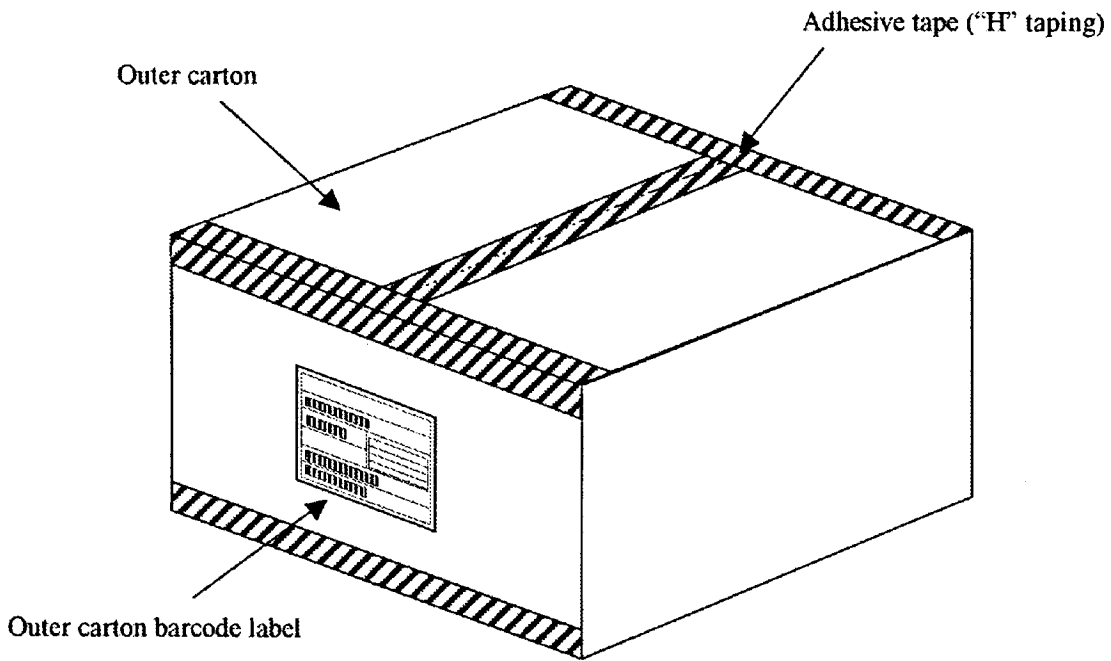
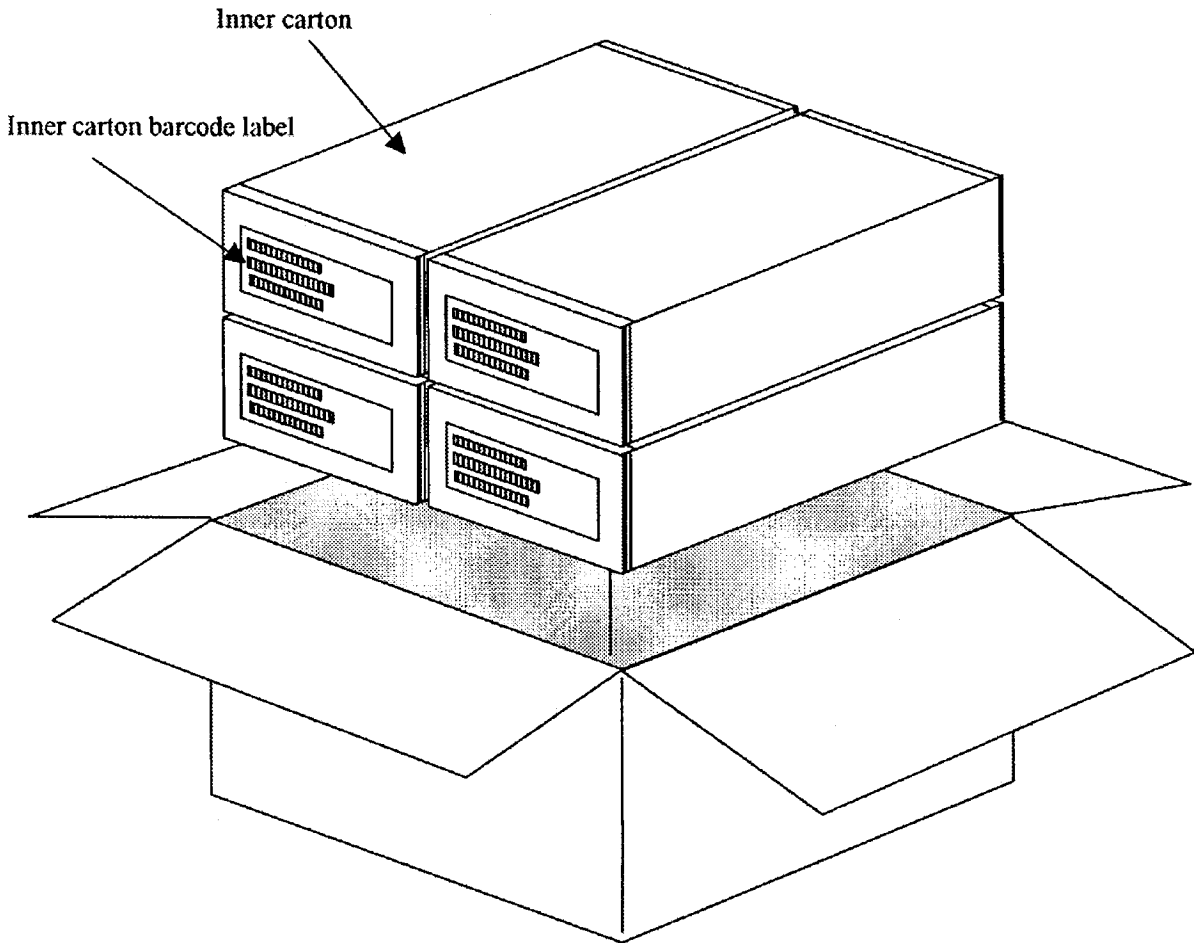


(3) Packing by Inner carton.



| | | | |
|-------------|------------------------|------|----|
| NAME | Packing specifications | | |
| DRAWING NO. | BJ433c | UNIT | mm |

NOTE There is a possibility different from this specification when the number of shipments is fractions.



L × W × H

Inner carton - Outer dimensions : 360×150×95

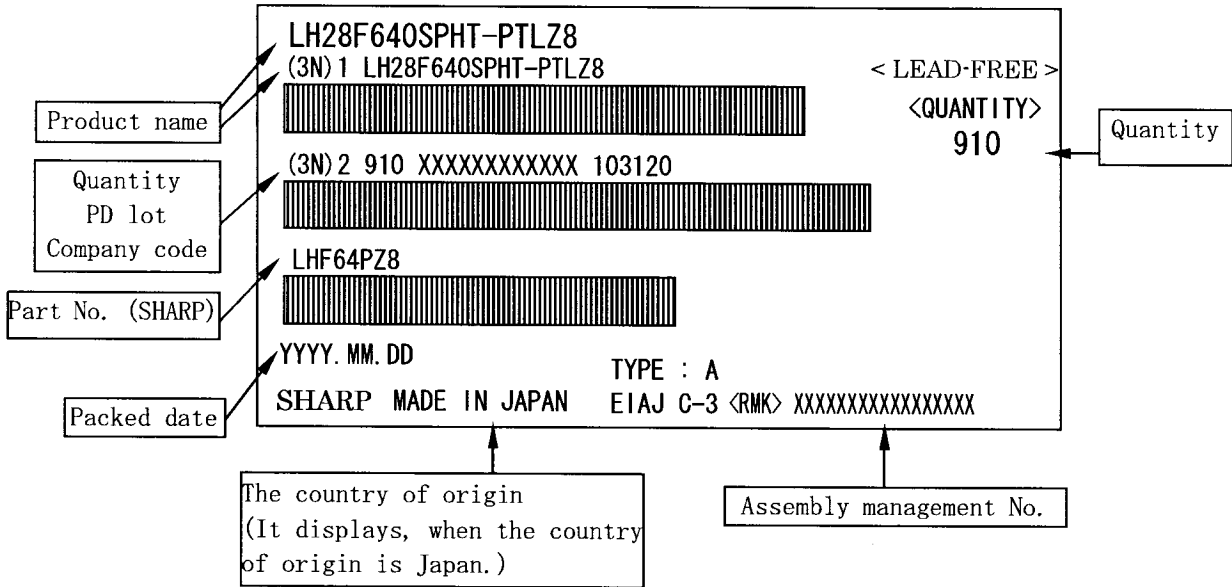
Outer carton - Outer dimensions : 390×335×230

NOTE There is a possibility different from this specification when the number of shipments is fractions.

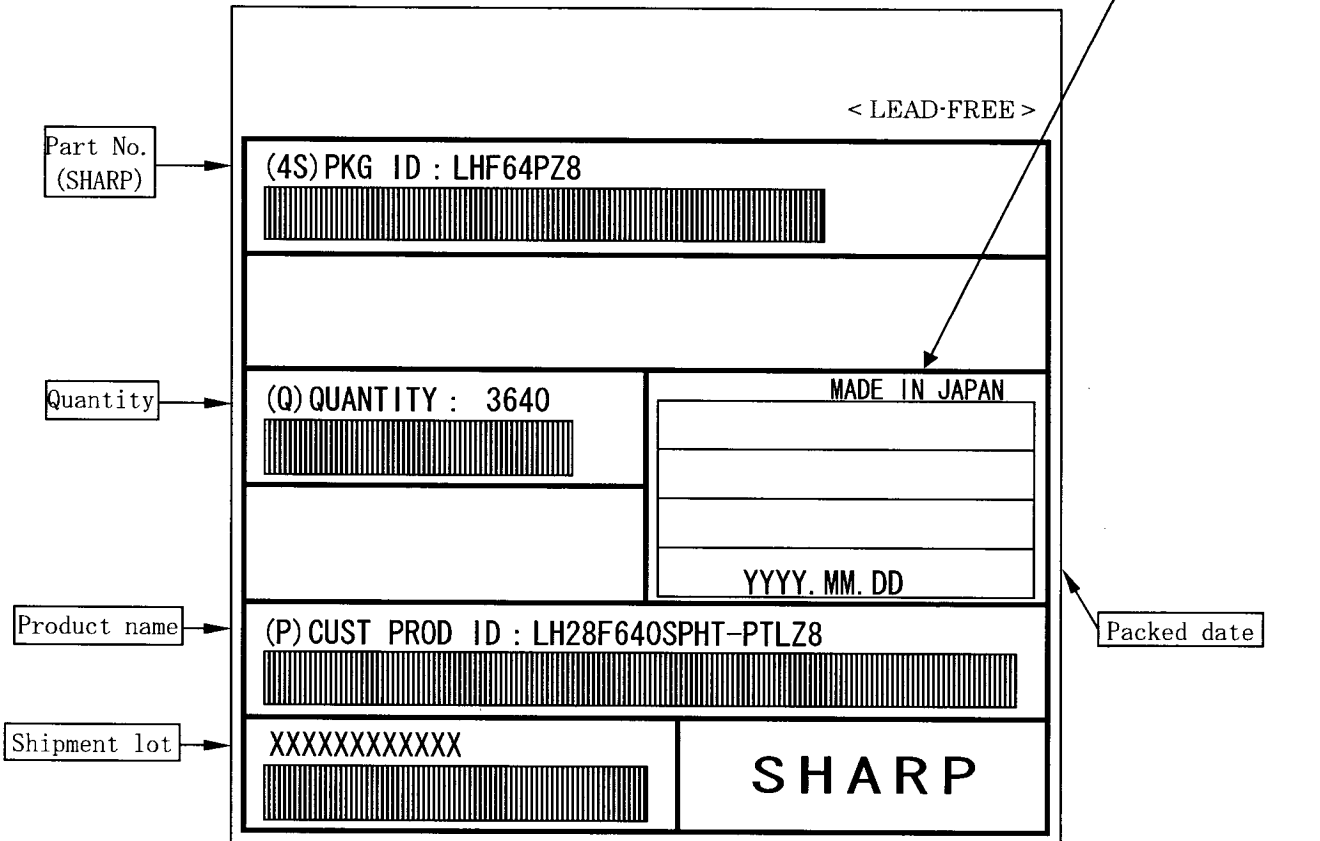
| | | | |
|-------------|------------------------|------|----|
| NAME | Packing specifications | | |
| DRAWING NO. | BJ433d | UNIT | mm |

(Note) The <LEAD-FREE> display shows a lead-free article.

Inner carton label



Outer carton label



(Former) EIAJ B Standard conforming

A-1 RECOMMENDED OPERATING CONDITIONS

A-1.1 At Device Power-Up

AC timing illustrated in Figure A-1 is recommended for the supply voltages and the control signals at device power-up. If the timing in the figure is ignored, the device may not operate correctly.

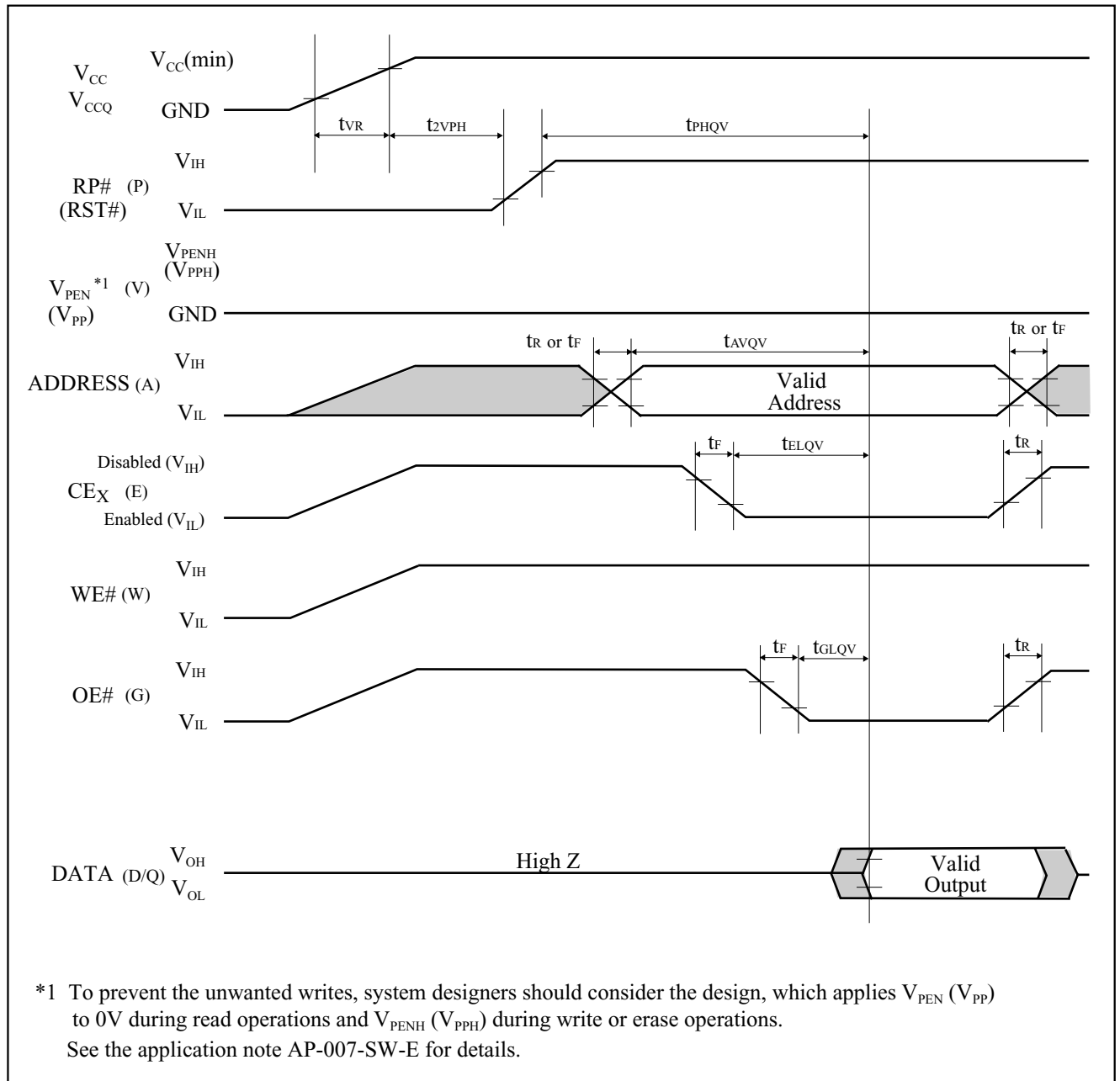


Figure A-1. AC Timing at Device Power-Up

For the AC specifications t_{VR} , t_r , t_f in the figure, refer to the next page. See the "ELECTRICAL SPECIFICATIONS" described in specifications for the supply voltage range, the operating temperature and the AC specifications not shown in the next page.

A-1.1.1 Rise and Fall Time

| Symbol | Parameter | Notes | Min. | Max. | Unit |
|----------|------------------------|-------|------|-------|-----------------|
| t_{VR} | V_{CC} Rise Time | 1 | 0.5 | 30000 | $\mu\text{s/V}$ |
| t_R | Input Signal Rise Time | 1, 2 | | 1 | $\mu\text{s/V}$ |
| t_F | Input Signal Fall Time | 1, 2 | | 1 | $\mu\text{s/V}$ |

NOTES:

1. Sampled, not 100% tested.
2. This specification is applied for not only the device power-up but also the normal operations.

A-1.2 Glitch Noises

Do not input the glitch noises which are below V_{IH} (Min.) or above V_{IL} (Max.) on address, data, reset, and control signals, as shown in Figure A-2 (b). The acceptable glitch noises are illustrated in Figure A-2 (a).

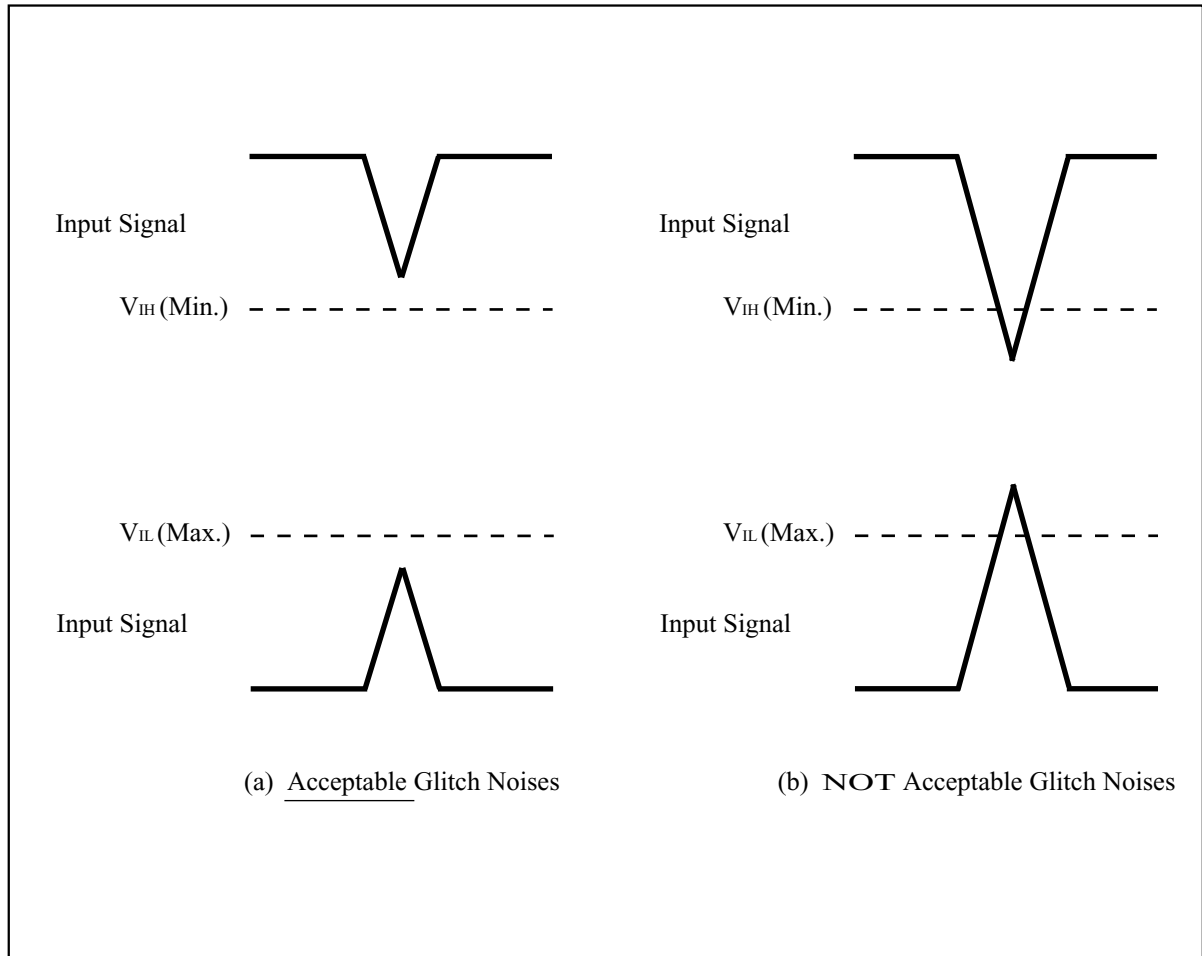


Figure A-2. Waveform for Glitch Noises

See the “DC CHARACTERISTICS” described in specifications for V_{IH} (Min.) and V_{IL} (Max.).

A-2 RELATED DOCUMENT INFORMATION⁽¹⁾

| Document No. | Document Name |
|--------------|----------------------------------------------------|
| AP-001-SD-E | Flash Memory Family Software Drivers |
| AP-006-PT-E | Data Protection Method of SHARP Flash Memory |
| AP-007-SW-E | RP#, V_{PP} Electric Potential Switching Circuit |

NOTE:

1. International customers should contact their local SHARP or distribution sales office.

SPECIFICATIONS ARE SUBJECT TO CHANGE WITHOUT NOTICE.

Suggested applications (if any) are for standard use; See Important Restrictions for limitations on special applications. See Limited Warranty for SHARP's product warranty. The Limited Warranty is in lieu, and exclusive of, all other warranties, express or implied. ALL EXPRESS AND IMPLIED WARRANTIES, INCLUDING THE WARRANTIES OF MERCHANTABILITY, FITNESS FOR USE AND FITNESS FOR A PARTICULAR PURPOSE, ARE SPECIFICALLY EXCLUDED. In no event will SHARP be liable, or in any way responsible, for any incidental or consequential economic or property damage.

SHARP®

NORTH AMERICA

SHARP Microelectronics of the Americas
5700 NW Pacific Rim Blvd.
Camas, WA 98607, U.S.A.
Phone: (1) 360-834-2500
Fax: (1) 360-834-8903
Fast Info: (1) 800-833-9437
www.sharpsma.com

EUROPE

SHARP Microelectronics Europe
Division of Sharp Electronics (Europe) GmbH
Sonninstrasse 3
20097 Hamburg, Germany
Phone: (49) 40-2376-2286
Fax: (49) 40-2376-2232
www.sharpsme.com

JAPAN

SHARP Corporation
Electronic Components & Devices
22-22 Nagaike-cho, Abeno-Ku
Osaka 545-8522, Japan
Phone: (81) 6-6621-1221
Fax: (81) 6117-725300/6117-725301
www.sharp-world.com

TAIWAN

SHARP Electronic Components
(Taiwan) Corporation
8F-A, No. 16, Sec. 4, Nanking E. Rd.
Taipei, Taiwan, Republic of China
Phone: (886) 2-2577-7341
Fax: (886) 2-2577-7326/2-2577-7328

SINGAPORE

SHARP Electronics (Singapore) PTE., Ltd.
438A, Alexandra Road, #05-01/02
Alexandra Technopark,
Singapore 119967
Phone: (65) 271-3566
Fax: (65) 271-3855

KOREA

SHARP Electronic Components
(Korea) Corporation
RM 501 Geosung B/D, 541
Dohwa-dong, Mapo-ku
Seoul 121-701, Korea
Phone: (82) 2-711-5813 ~ 8
Fax: (82) 2-711-5819

CHINA

SHARP Microelectronics of China
(Shanghai) Co., Ltd.
28 Xin Jin Qiao Road King Tower 16F
Pudong Shanghai, 201206 P.R. China
Phone: (86) 21-5854-7710/21-5834-6056
Fax: (86) 21-5854-4340/21-5834-6057

Head Office:

No. 360, Bashen Road,
Xin Development Bldg. 22
Waigaoqiao Free Trade Zone Shanghai
200131 P.R. China
Email: smc@china.global.sharp.co.jp

HONG KONG

SHARP-ROXY (Hong Kong) Ltd.
3rd Business Division,
17/F, Admiralty Centre, Tower 1
18 Harcourt Road, Hong Kong
Phone: (852) 28229311
Fax: (852) 28660779
www.sharp.com.hk

Shenzhen Representative Office:

Room 13B1, Tower C,
Electronics Science & Technology Building
Shen Nan Zhong Road
Shenzhen, P.R. China
Phone: (86) 755-3273731
Fax: (86) 755-3273735