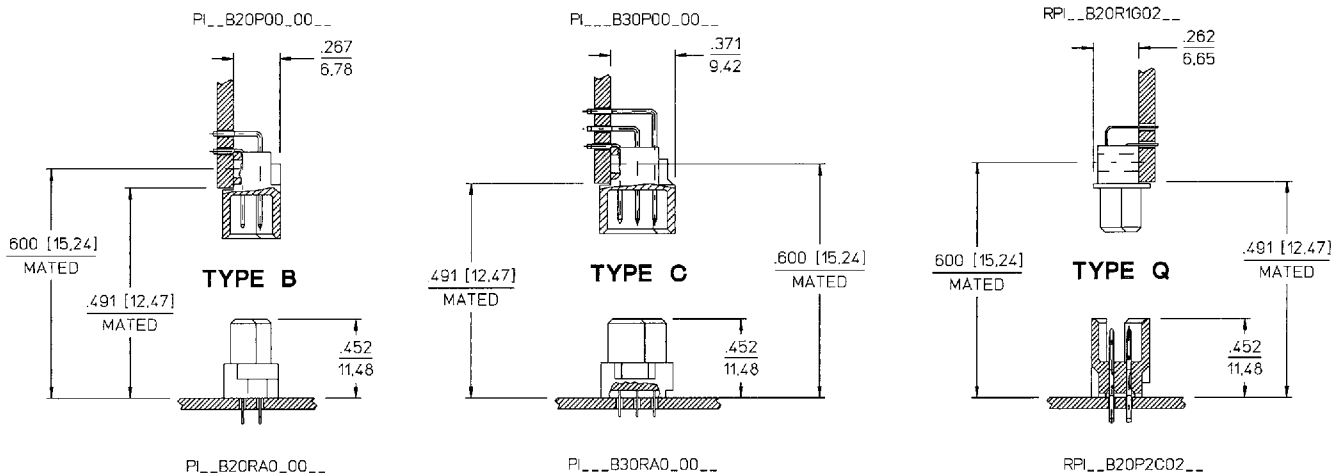




## Basic Mating Dimensions And General Specifications



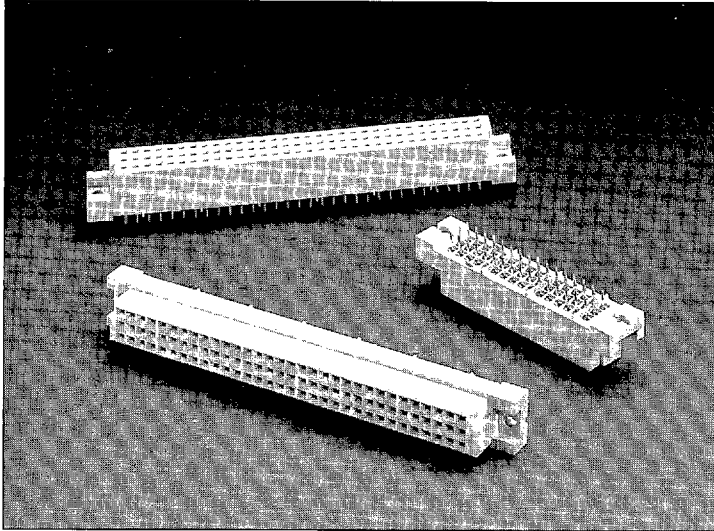
|                                   | TYPE B  | TYPE C, M  | TYPE Q      |
|-----------------------------------|---|--|-------------|
| CATALOG PAGE                      | 20, 22  | 8, 10, 28, 30                                    | 24, 26      |
| NUMBER OF POSITIONS (Max)         | 32, 64  | 48, 96, 120, 150 (Type C)<br>42, 60, 78 (Type M) | 32, 64      |
| CONTACT GRID SPACING              | .100 X .100 (2,54 X 2,54)                                   |  |             |
| MINIMUM MOUNTING* CENTER DISTANCE | .400 (10,2)   | .500 (12,7)                                      | .400 (10,2) |
| CURRENT RATING                    | 1.5 AMP (3 AMP MAX.) PER CONTACT PAIR (SEE PAGE 7)          |  |             |
| VOLTAGE RATING                    | 250 VAC   |  |             |
| DIELECTRIC RATING                 | 1550 VAC  |  |             |
| CONTACT RESISTANCE                | 10 MILLIOHM INITIAL -- AFTER TESTING 20 MILLIOHM MAX        |  |             |
| INSULATION RESISTANCE             | 10 <sup>6</sup> MEGOHMS                                     |  |             |
| TEMPERATURE RATING                | -67°F (- 55°C) TO 257°F (125° C)                            |  |             |
| DURABILITY                        | 400 CYCLES  |  |             |
| MATING FORCE                      | LESS THAN 3.4 OZ. (0,94 N) PER CONTACT                      |  |             |
| UNMATING FORCE                    | .68 OZ. (0,19 N) MIN. PER CONTACT AFTER THREE MATING CYCLES |  |             |

\* The mounting hole center space of minimum adjacent rack mounted connectors.

# DIN Connectors



## Standard Vertical Receptacle Type C, 1/2 C, Expanded



### MATERIAL AND PLATING

- HOUSING: Light Gray Thermoplastic UL94 V-0
- CONTACTS: Copper alloy
- PLATING: N9 - .000030 (.00076) gold in contact area, tin lead on tails with .000050 (.00127) nickel underplate all over  
Z1 - .000016 (.00041) gold in contact area, tin lead on tails with .000050 (.00127) nickel underplate all over

### PERFORMANCE CHARACTERISTICS

- MATING AND GENERAL SPECIFICATIONS: PAGE 4
- DE-RATING CURVE: PAGE 7



The three row PI Series Vertical Receptacle has been designed to conform to the dimensional requirements of DIN 41612 Style C, 1/2 C, IEC 603-2, VG95324 and MIL-C-55302. This .100" (2,54 mm) grid connector is available in a three-row contact arrangement from 48 to 150 positions. A 96-position press fit version is also available: part number **8609 396 8194 755 000E3**.

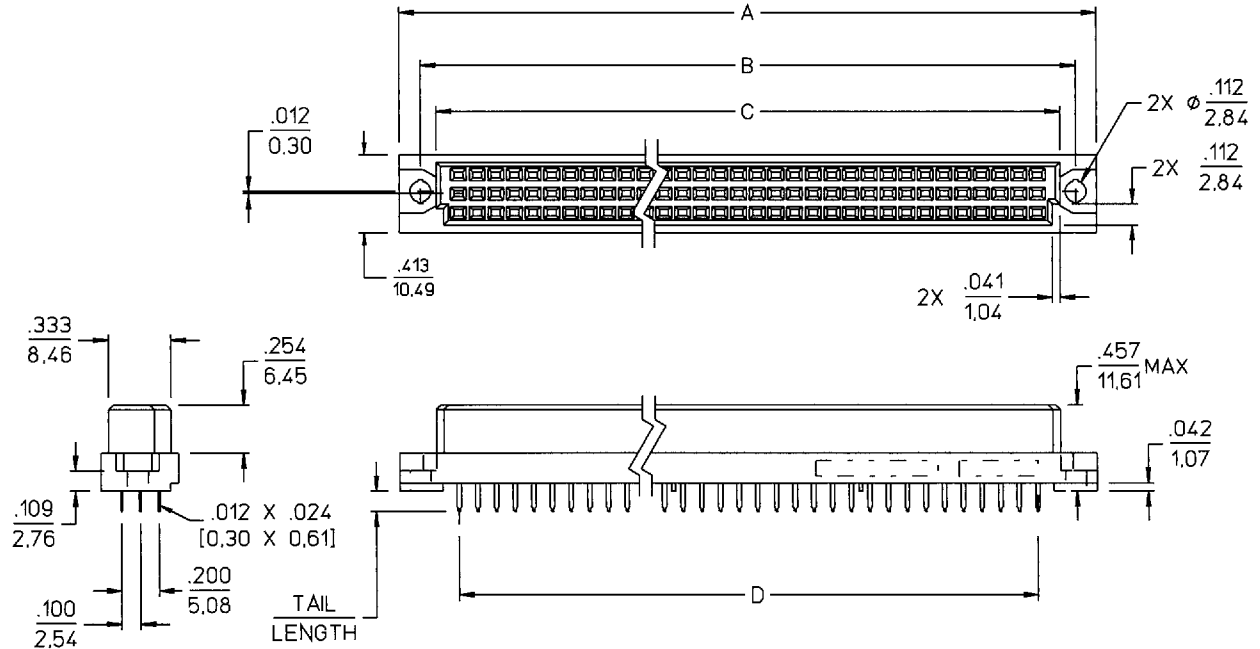
### How to order

|                             |  |    |   |   |   |   |    |   |    |    |
|-----------------------------|--|----|---|---|---|---|----|---|----|----|
| Series                      | PI   | 96 | B | 3 | 0 | R | A0 | A | 00 | Z1 |
| Number of Contact Positions | 48, 96, 120, 150   |    |   |   |   |   |    |   |    |    |
| .100 Spacing                |  |    |   |   |   |   |    |   |    |    |
| Features                    | 3 = 3 Row Housing<br>8 = 3 Row Housing With Retention Clip*                          |    |   |   |   |   |    |   |    |    |
| Contact Arrangement         | 0 = Rows A, B, C Fully Loaded<br>2 = Rows A, C Fully Loaded                          |    |   |   |   |   |    |   |    |    |
| Receptacle                  |  |    |   |   |   |   |    |   |    |    |
| Body Variation              | A0 = Standard Variation<br>00 = Alternate Contact Design*                            |    |   |   |   |   |    |   |    |    |
| Contact Tail Length         | A = .108" (2.75 mm)<br>C = .177" (4.50 mm) Other Lengths Available — Consult factory |    |   |   |   |   |    |   |    |    |
| Design Variation            | 00 = Standard Variation  |    |   |   |   |   |    |   |    |    |
| Plating                     | Z1 = 16 µin (.41 microns) Gold min.<br>N9 = 30 µin (.76 microns) Gold min.           |    |   |   |   |   |    |   |    |    |

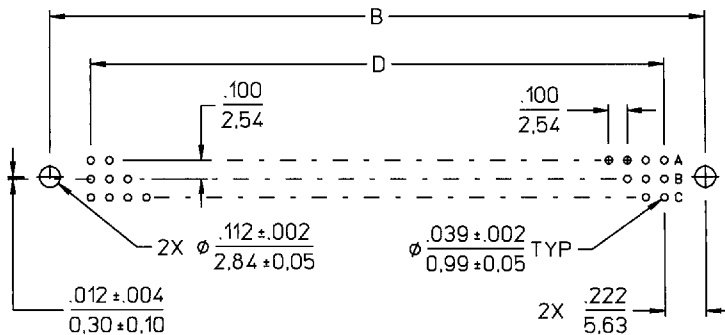
\* Consult factory for availability



## Standard Vertical Receptacle Type C, 1/2 C, Expanded



### Recommended Printed Circuit Board Layout



| NUMBER OF POSITIONS | ROWS LOADED | CONTACT PLATING (MI GOLD) | PART NUMBERS      |                    | DIMENSIONS      |                 |                 |                 |
|---------------------|-------------|---------------------------|-------------------|--------------------|-----------------|-----------------|-----------------|-----------------|
|                     |             |                           | TAIL LENGTH       |                    | A (MAX)         | B ±.004 / ± 0,1 | C               | D               |
|                     |             |                           | .108 (2,75)       | .177 (4,50)        |                 |                 |                 |                 |
| 48                  | A, B, C     | 30                        | PI48B30RA0A00N9   | PI48B30RA0C00N9    | 2,140<br>54,36  | 1,943<br>49,35  | 1,742<br>44,25  | 1,500<br>38,10  |
|                     | A, B, C     | 16                        | • PI48B30RA0A00Z1 | PI48B30RA0C00Z1    |                 |                 |                 |                 |
|                     | A, C        | 30                        | PI48B32RA0A00N9   | PI48B32RA0C00N9    |                 |                 |                 |                 |
|                     | A, C        | 16                        | PI48B32RA0A00Z1   | PI48B32RA0C00Z1    |                 |                 |                 |                 |
| 96                  | A, B, C     | 30                        | PI96B30RA0A00N9   | PI96B30RA0C00N9    | 3,740<br>95,00  | 3,543<br>90,00  | 3,342<br>84,89  | 3,100<br>78,74  |
|                     | A, B, C     | 16                        | • PI96B30RA0A00Z1 | • PI96B30RA0C00Z1  |                 |                 |                 |                 |
|                     | A, C        | 30                        | PI96B32RA0A00N9   | PI96B32RA0C00N9    |                 |                 |                 |                 |
|                     | A, C        | 16                        | • PI96B32RA0A00Z1 | PI96B32RA0C00Z1    |                 |                 |                 |                 |
| 120                 | A, B, C     | 30                        | PI120B30RA0A00N9  | PI120B30RA0C00N9   | 4,540<br>115,32 | 4,343<br>110,31 | 4,142<br>105,21 | 3,900<br>99,06  |
|                     | A, B, C     | 16                        | PI120B30RA0A00Z1  | • PI120B30RA0C00Z1 |                 |                 |                 |                 |
| 150                 | A, B, C     | 30                        | PI150B30RA0A00N9  | PI150B30RA0C00N9   | 5,540<br>140,72 | 5,343<br>135,71 | 5,142<br>130,61 | 4,900<br>124,46 |
|                     | A, B, C     | 16                        | PI150B30RA0A00Z1  | • PI150B30RA0C00Z1 |                 |                 |                 |                 |

• U.S. Standard Product