

INTRODUCTION:

Adam Tech FCP Series IDC Box Headers are designed to quickly and easily mass terminate to .050" flat cable. The IDC termination is converted to a Shrouded Box Header output with a polarizing slot that mates with standard IDC sockets. This connector is ideal for splicing and making "T" taps to a cable bus. Adam Tech's sturdy design features solid, selectively gold plated .025"sq. copper alloy posts.

FEATURES:

IDC Flat Cable to Shrouded Box Header
Mates with standard IDC sockets
Ideal for splicing and "T" taps to cable bus
Solid selectively gold plated contacts

MATING CONNECTORS:

Mates with Adam Tech FCS Series .100" [2.54mm] dual row IDC sockets

SPECIFICATIONS:

Material:

Insulator: PBT, rated UL94V-0
Insulator Color: Gray
Contacts: Brass

Contact Plating:

Gold flash (30 μ in optional) over nickel underplate on contact area, tin over copper underplate on IDC area

Electrical:

Operating voltage: 250V AC max.
Current rating: 1 Amp max
Contact resistance: 30 m Ω max. initial
Insulation resistance: 5000 M Ω min.
Dielectric withstanding voltage: 1000V AC for 1 minute

Mechanical:

Insertion force: 0.5 lbs per circuit max.
Withdrawal force: 0.094 lbs per circuit min
Mating durability: 500 cycles min.
Recommended cable size: 28 Awg stranded

Temperature Rating:

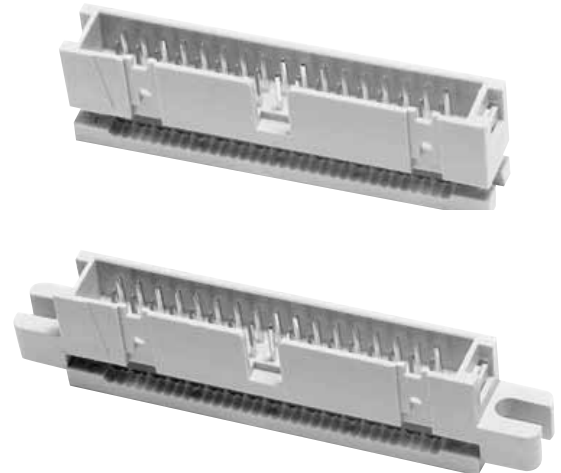
Operating temperature: -40°C to +105°C

PACKAGING:

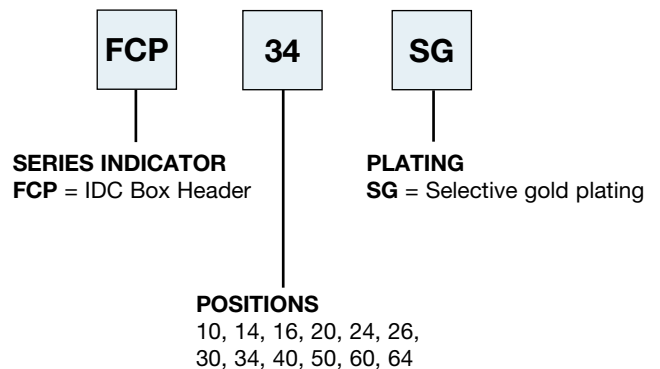
Anti-ESD plastic trays

SAFETY AGENCY APPROVALS:

UL Recognized & CSA Certified, File no. E224053



ORDERING INFORMATION

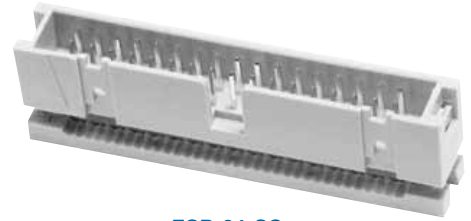
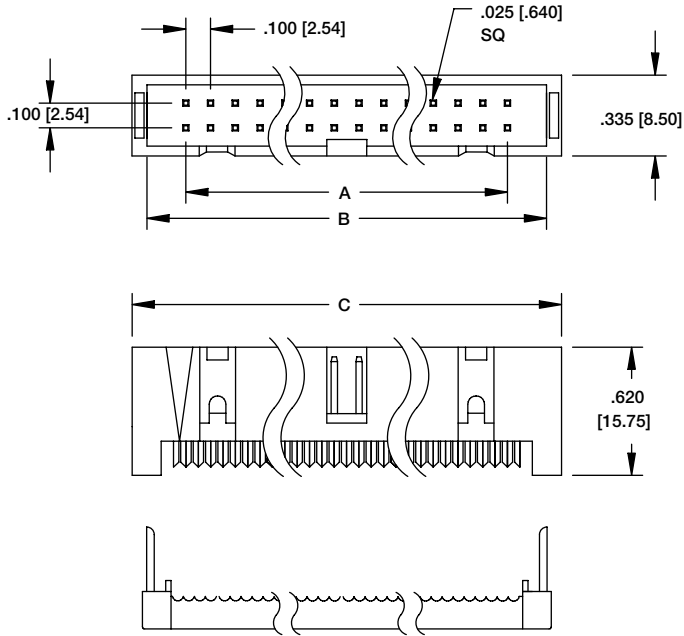


OPTIONS:

Add designator(s) to end of part number
E = Mounting Ears
30 = 30 μ in gold plating in contact area
BK = Black color insulator

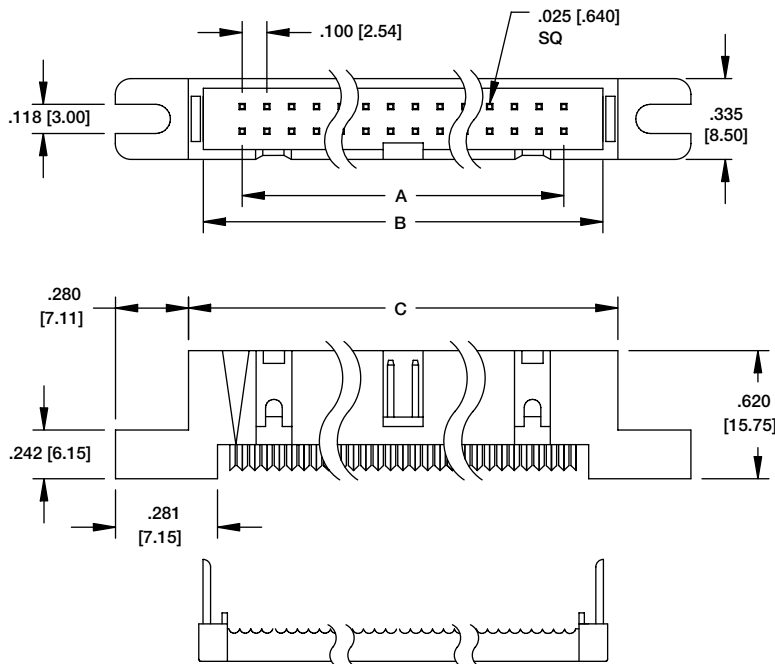


FCP HEADER



FCP-34-SG

FCP HEADER 6 WITH MOUNTING EAR OPTION



FCP-34-SG-E

POS.	DIMENSIONS		
	A	B	C
10	.400 [10.16]	.708 [18.00]	.905 [23.00]
14	.600 [15.24]	.908 [23.08]	1.105 [28.08]
16	.700 [17.78]	1.008 [25.62]	1.205 [30.62]
20	.900 [22.86]	1.208 [30.70]	1.405 [35.70]
24	1.100 [27.94]	1.408 [35.78]	1.605 [40.78]
26	1.200 [30.48]	1.508 [38.32]	1.705 [43.32]
30	1.400 [35.56]	1.708 [43.40]	1.905 [48.40]
34	1.600 [40.64]	1.908 [48.48]	2.105 [53.48]
40	1.900 [48.26]	2.208 [56.10]	2.405 [61.10]
50	2.400 [60.96]	2.708 [68.80]	2.905 [73.80]
60	2.900 [73.66]	3.208 [81.50]	3.405 [86.50]
64	3.100 [78.74]	3.408 [86.58]	3.605 [91.58]