

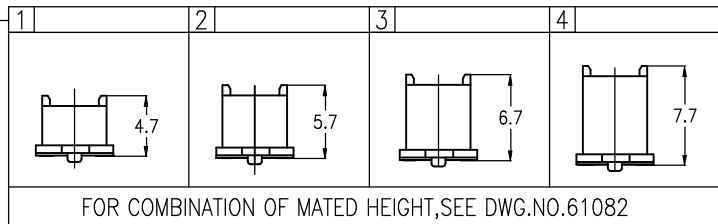
Tous droits strictement réservés. Reproduction ou communication à des tiers sans autorisation écrite du propriétaire. FCI ELECTRONICS. Droits de reproduction FCI ELECTRONICS by

All rights strictly reserved. Reproduction or issue to third parties in any form without written authority from the proprietor. FCI ELECTRONICS. Copyright FCI ELECTRONICS by



61083-

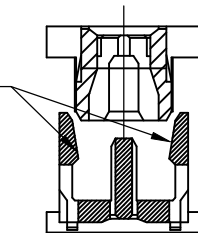
	NUMBER OF POSITIONS
04	2 X20
06	2 X30
08	2 X40
10	2 X50
12	2 X60
14	2 X70
16	2 X80
18	2 X90
20	2 X100



PACKAGING	
0	TUBE
1	TAPE & REEL WITHOUT CAP
2	TAPE & REEL WITH CAP
9	TUBE WITH CAP

	POLARIZATION PEG	HOLD DOWN	LATCHING FEATURE
0	YES	NO	NO
1	YES	NO	YES (SEE NOTE 5)
2	NO	NO	NO
3	NO	NO	YES (SEE NOTE 5)
4	YES	YES (NOTE 6)	NO
5	YES	YES	YES (SEE NOTE 5)

LATCHING FEATURE
NOTE 5



PLATING ON CONTACT AREA.	
0	GOLD 0.2 μm MIN.
1	PALLADIUM-NICKEL 0.76 μm MIN. WITH GOLD FLASH

NOTES:

- MATERIAL:
HOUSING: G.F.LCP UL94V-0
TERMINAL : BRASS
- PLATING:
SEE COLUMN ON CONTACT AREA.
SOLDER : 1.5 μm MIN. ON TAIL
- SEE NO.110-327 FOR PRODUCT SPECIFICATION.
- SEE GES -14-551 FOR PACKAGING SPECIFICATION.
- LATCHING FEATURE ONLY AVAILABLE ON: -041010, -041032, -061030, -061032.
- NOT ALL OPTIONS TOOLED: CHECK WITH FACTORY.

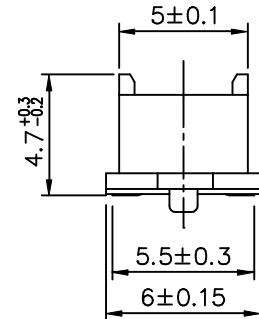
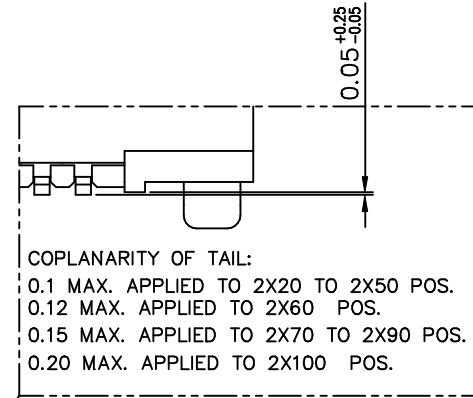
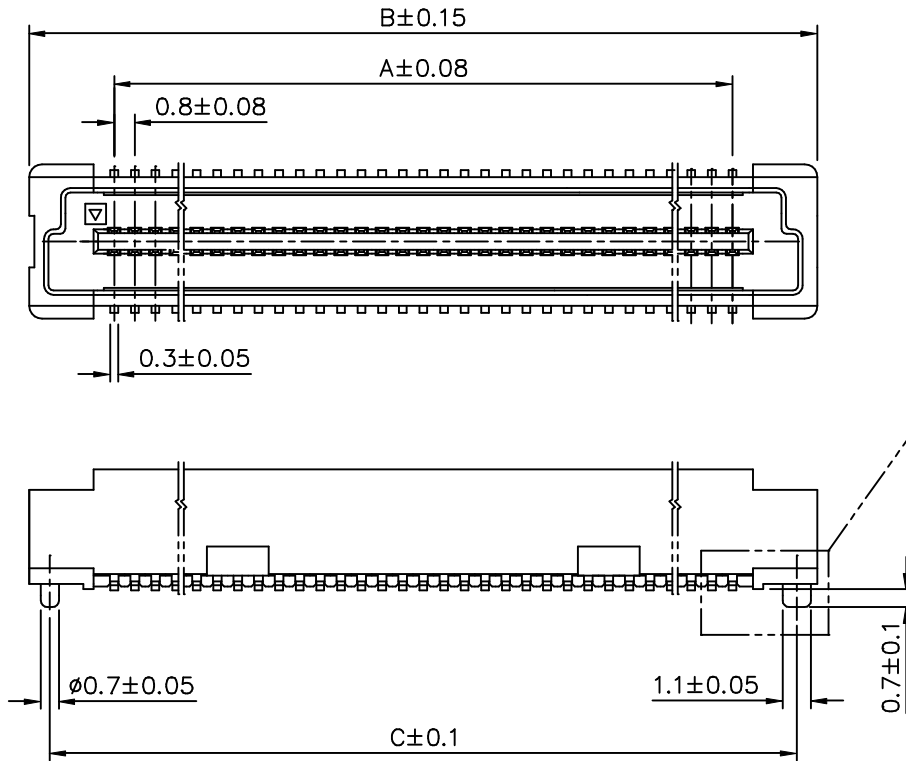
mat'l code		tolerance unless otherwise specified		CUSTOMER COPY	Electronics www.fciconnect.com							
rev.	ecn no.	dr	date	linear	.0 ± 0.20	projection						
B	J60189	N.Y	08/28/96		.00 ± 0.15							
C	J70053	N.Y	02/28/97	angles	.000 ± 0.10	title 0.8mm BOARD TO BOARD PLUG ASS'Y						
D	J90067	N.Y	02/25/99		±		unit mm/inch scale 5 : 1					
E	T00118	M W	04/18/00	dr	MAGGIE WU	03/26/99		product family BERGSTAK code - size dwg no. A3 61083 sheet 1 OF 11				
F	T00324	M W	11/06/00	enrg	YU WEN CHU	03/26/99						
G	V11832	M W	08/01/01	chr	YU WEN CHU	03/26/99						
H	V12170	M W	08/20/01	appd	JOSEPH HSIA	03/26/99						
sheet	revision	H	F	F	F	G	G	G	G	G	G	
index	sheet	1	2	3	4	5	6	7	8	9	10	11

Tous droits strictement réservés. Reproduction ou communication à des tiers int
 sans autorisation écrite du propriétaire.
 FCI ELECTRONICS.
 Droits de reproduction FCI ELECTRONICS by

All rights strictly reserved. Reproduction or issue to third parties in any for
 without written authority from the proprietor.
 FCI ELECTRONICS.
 Copyright FCI ELECTRONICS by



PRODUCT NO.	NUMBER OF POSITIONS	DIMENSION		
		A	B	C
61083-041***	2 X20	15.2	21.8	20.2
61083-061***	2 X30	23.2	29.8	28.2
61083-081***	2 X40	31.2	37.8	36.2
61083-101***	2 X50	39.2	45.8	44.2
61083-121***	2 X60	47.2	53.8	52.2
61083-141***	2 X70	55.2	61.8	60.2
61083-161***	2 X80	63.2	69.8	68.2
61083-181***	2 X90	71.2	77.8	76.2
61083-201***	2 X100	79.2	85.8	84.2



PLUG 1

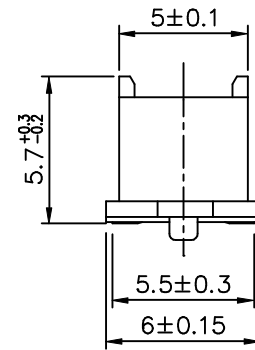
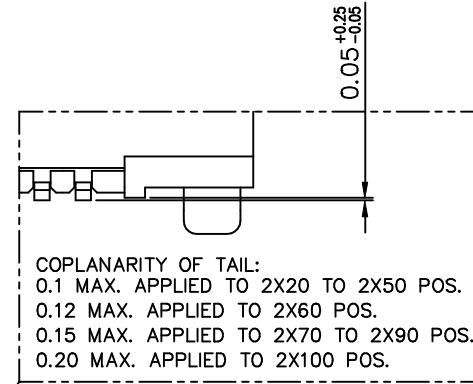
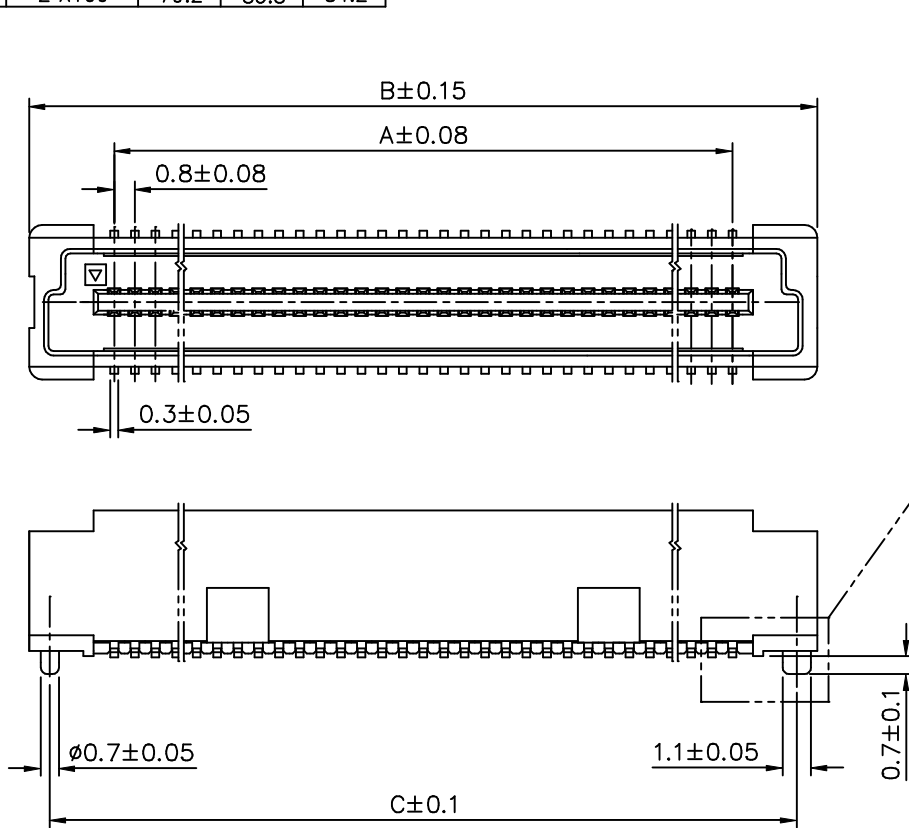
mat'l code		tolerance unless otherwise specified		CUSTOMER COPY		Electronics www.fciconnect.com	
rev.	ecn no.	dr	date	linear	.0 ±	projection	title
F					.00 ±		0.8mm BOARD TO BOARD PLUG ASS'Y
				angles	.000±		
		dr	MAGGIE WU 03/26/99	unit	±	product family	BERGSTAK
		engr	YU WEN CHU 03/26/99	size	mm/inch	code	-
		chr	YU WEN CHU 03/26/99	scale	5 : 1	sheet	2 OF
		appd	JOSEPH HSIA 03/26/99			dwg no.	61083
sheet	revision						
index	sheet						

Tous droits strictement réservés. Reproduction ou communication à des tiers int
 propriété de FCI ELECTRONICS.
 Droits de reproduction FCI ELECTRONICS by

All rights strictly reserved. Reproduction or issue to third parties in any for
 without written authority from the proprietor.
 FCI ELECTRONICS.
 Copyright FCI ELECTRONICS by



PRODUCT NO.	NUMBER OF POSITIONS	DIMENSION		
		A	B	C
61083-042***	2 X20	15.2	21.8	20.2
61083-062***	2 X30	23.2	29.8	28.2
61083-082***	2 X40	31.2	37.8	36.2
61083-102***	2 X50	39.2	45.8	44.2
61083-122***	2 X60	47.2	53.8	52.2
61083-142***	2 X70	55.2	61.8	60.2
61083-162***	2 X80	63.2	69.8	68.2
61083-182***	2 X90	71.2	77.8	76.2
61083-202***	2 X100	79.2	85.8	84.2



PLUG 2

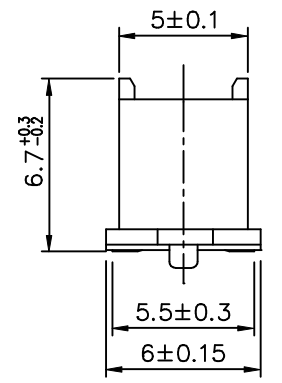
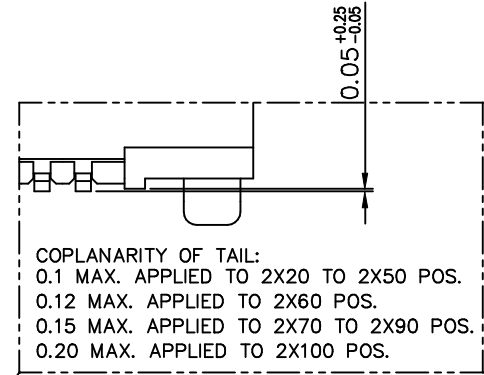
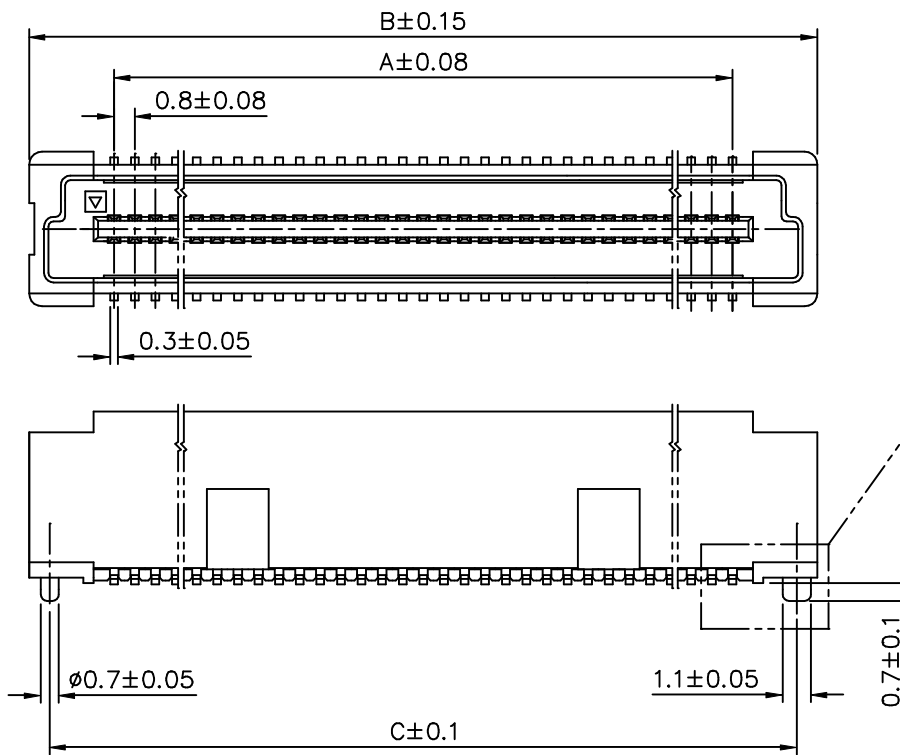
mat'l code		tolerance unless otherwise specified		CUSTOMER COPY		Electronics www.fciconnect.com	
rev.	ecn no.	dr	date	linear	.0 ±	projection	title 0.8mm BOARD TO BOARD PLUG ASS'Y
F					.00 ±		
				angles	.000±		product family BERGSTAK
		dr	MAGGIE WU	03/26/99	unit	mm/inch	code
		enr	YU WEN CHU	03/26/99	size	A3	61083
		chr	YU WEN CHU	03/26/99	scale	5 : 1	sheet 3 OF
		appd	JOSEPH HSIA	03/26/99			
sheet	revision						
index	sheet						

Tous droits strictement réservés. Reproduction ou communication, à des tiers Int
 without the prior written authority of the proprietor.
 FCI ELECTRONICS
 Droits de reproduction FCI ELECTRONICS by

All rights strictly reserved. Reproduction or issue to third parties in any for
 without the prior written authority from the proprietor.
 FCI ELECTRONICS
 Copyright FCI ELECTRONICS by



PRODUCT NO.	NUMBER OF POSITIONS	DIMENSION		
		A	B	C
61083-043***	2 X20	15.2	21.8	20.2
61083-063***	2 X30	23.2	29.8	28.2
61083-083***	2 X40	31.2	37.8	36.2
61083-103***	2 X50	39.2	45.8	44.2
61083-123***	2 X60	47.2	53.8	52.2
61083-143***	2 X70	55.2	61.8	60.2
61083-163***	2 X80	63.2	69.8	68.2
61083-183***	2 X90	71.2	77.8	76.2
61083-203***	2 X100	79.2	85.8	84.2



PLUG 3

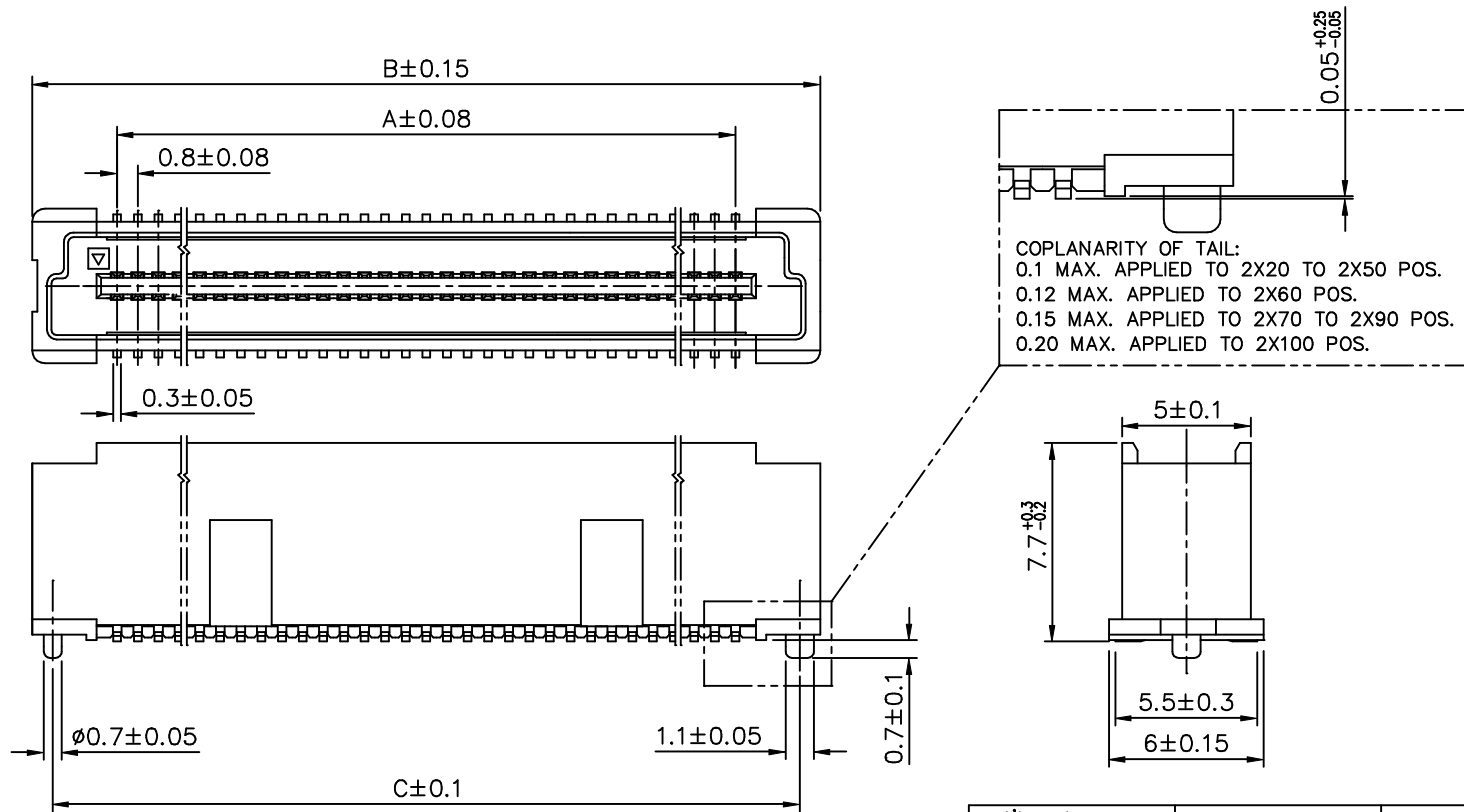
mat'l code		tolerance unless otherwise specified		CUSTOMER COPY		 Electronics www.fciconnect.com	
rev.	ecn no.	dr	date	linear	.0 ±	projection	 title 0.8mm BOARD TO BOARD PLUG ASS'Y
F					.00 ±		
				angles	.000 ±		product family BERGSTAK
		dr	MAGGIE WU	03/26/99	unit	mm/inch	code -
		enr	YU WEN CHU	03/26/99	size	A3	sheet 4 OF
		chr	YU WEN CHU	03/26/99	scale	5 : 1	
		appd	JOSEPH HSIA	03/26/99			
sheet	revision						
index	sheet						

Tous droits strictement réservés. Reproduction ou communication, a des tiers Int sans autorisation écrite du propriétaire. Droits de reproduction FCI ELECTRONICS by

All rights strictly reserved. Reproduction or issue to third parties in any form without written authority from the proprietor. Copyright FCI ELECTRONICS by



PRODUCT NO.	NUMBER OF POSITIONS	DIMENSION		
		A	B	C
61083-044***	2 X20	15.2	21.8	20.2
61083-064***	2 X30	23.2	29.8	28.2
61083-084***	2 X40	31.2	37.8	36.2
61083-104***	2 X50	39.2	45.8	44.2
61083-124***	2 X60	47.2	53.8	52.2
61083-144***	2 X70	55.2	61.8	60.2
61083-164***	2 X80	63.2	69.8	68.2
61083-184***	2 X90	71.2	77.8	76.2
61083-204***	2 X100	79.2	85.8	84.2



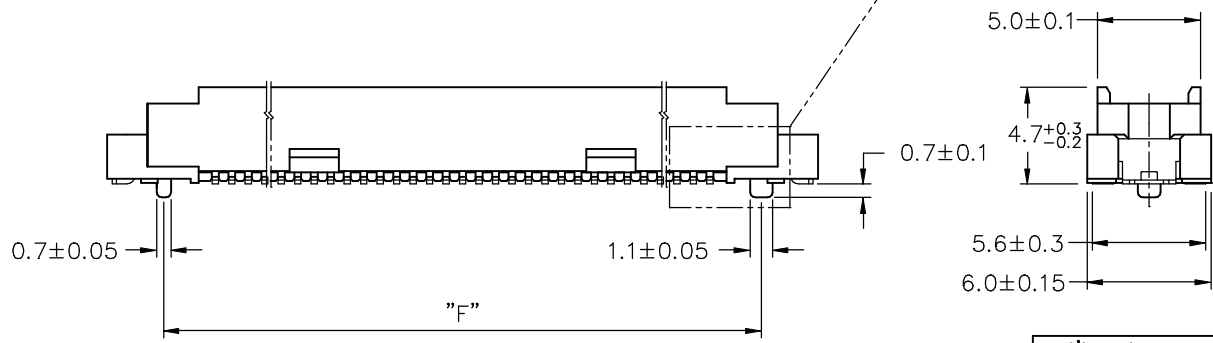
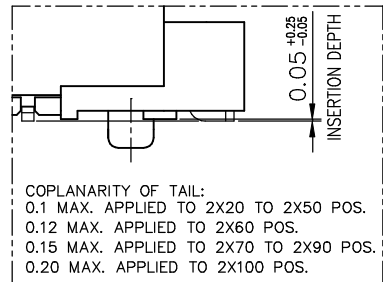
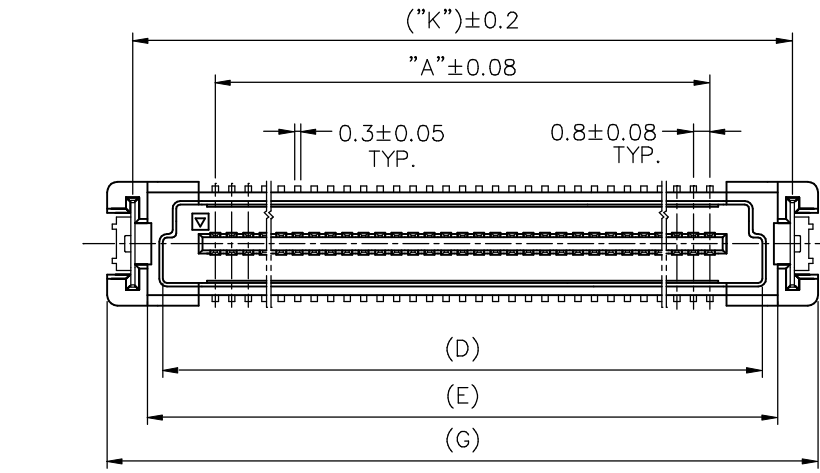
PLUG 4

mat'l code		tolerance unless otherwise specified		CUSTOMER COPY		Electronics www.fciconnect.com	
rev.	ecn no.	dr	date	linear	.0 ±	projection	title 0.8mm BOARD TO BOARD PLUG ASS'Y
F					.00 ±		
				angles	.000 ±		product family BERGSTAK
		dr	MAGGIE WU	03/26/99	unit	mm/inch	code
		enr	YU WEN CHU	03/26/99	size	A3	-
		chr	YU WEN CHU	03/26/99	scale	5 : 1	sheet
		appd	JOSEPH HSIA	03/26/99			5 OF
sheet	revision						
index	sheet						

Tous droits strictement réservés. Reproduction ou communication, à des tiers int
 without written authority from the proprietor.
 FCI ELECTRONICS
 Droits de reproduction FCI ELECTRONICS by

All rights strictly reserved. Reproduction or issue to third parties in any for
 without written authority from the proprietor.
 FCI ELECTRONICS
 Copyright, FCI ELECTRONICS by

PRODUCT NUMBER	POSITIONS	DIMENSION					
		"A"	"D"	"E"	"F"	"G"	"K"
61083-041***	2 X20	15.2	20.23	21.8	20.2	25.7	23.23
61083-061***	2 X30	23.2	28.23	29.8	28.2	33.7	31.23
61083-081***	2 X40	31.2	36.23	37.8	36.2	41.7	39.23
61083-101***	2 X50	39.2	44.23	45.8	44.2	49.7	47.23
61083-121***	2 X60	47.2	52.23	53.8	52.2	57.7	55.23
61083-141***	2 X70	55.2	60.23	61.8	60.2	65.7	63.23
61083-161***	2 X80	63.2	68.23	69.8	68.2	73.7	71.23
61083-181***	2 X90	71.2	76.23	77.8	76.2	81.7	79.23
61083-201***	2 X100	79.2	84.23	85.8	84.2	89.7	87.23



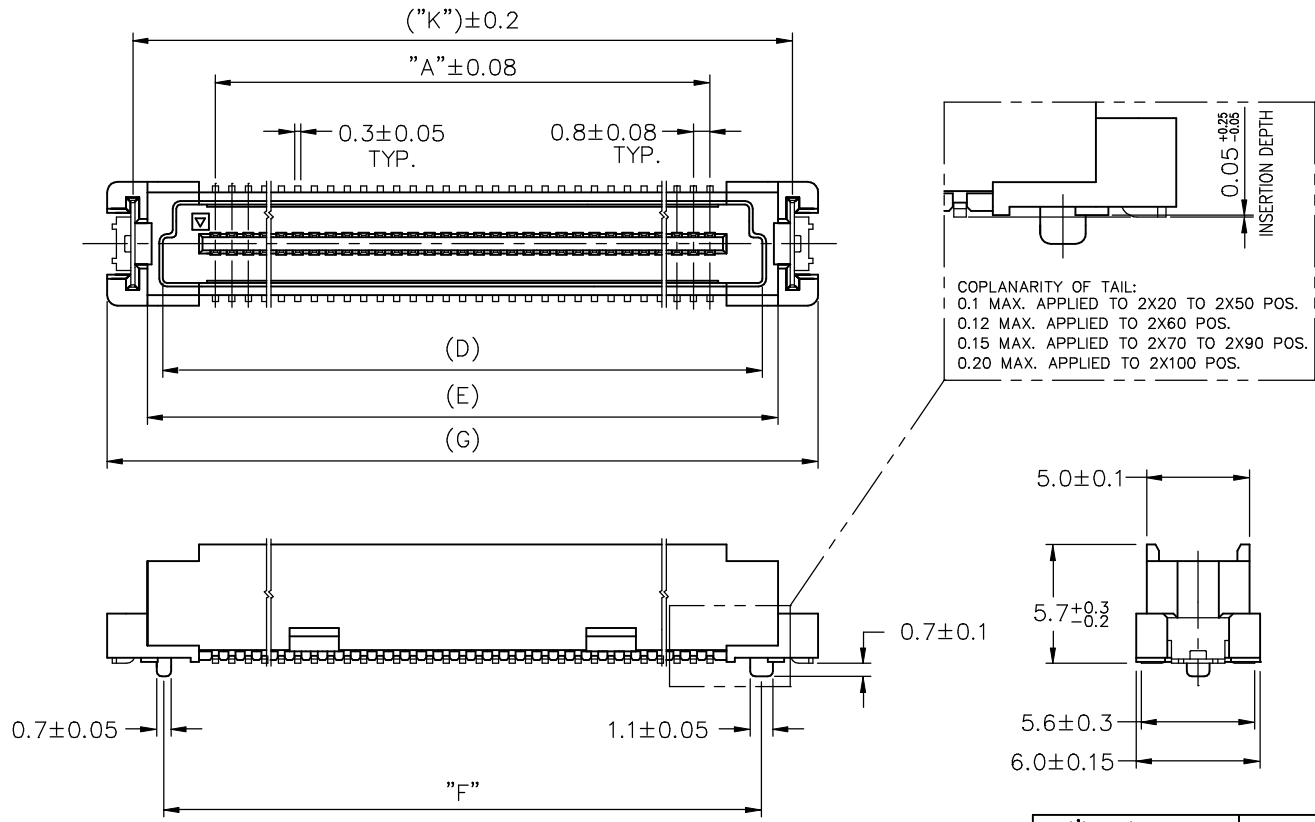
PLUG 1
FOR HOLD DOWN

mat'l code		tolerance unless otherwise specified		CUSTOMER COPY		 www.fciconnect.com	
rev.	ecn no.	dr	date	linear	.0 ± 0.20	projection	title
G					.00 ± 0.15		0.8mm BOARD TO BOARD PLUG ASS'Y
				angles	.000 ± 0.10		
		dr	MAGGIE WU 08/01/01	unit	±	mm/inch	product family BERGSTAK code
		enr	EDWARD WU 08/01/01	size		scale	61083 sheet
		chr	EDWARD WU 08/01/01	scale	4 : 1		6 OF
		appd	JENN TSAO 08/01/01				
sheet	revision						
index	sheet						

Tous droits strictement réservés. Reproduction ou communication à des tiers Int
 without the prior written authority of the proprietor.
 FCI ELECTRONICS
 Droits de reproduction FCI ELECTRONICS by

All rights strictly reserved. Reproduction or issue to third parties in any for
 without the prior written authority from the proprietor.
 FCI ELECTRONICS
 Copyright, FCI ELECTRONICS by

PRODUCT NUMBER	POSITIONS	DIMENSION					
		"A"	"D"	"E"	"F"	"G"	"K"
61083-042***	2 X20	15.2	20.23	21.8	20.2	25.7	23.23
61083-062***	2 X30	23.2	28.23	29.8	28.2	33.7	31.23
61083-082***	2 X40	31.2	36.23	37.8	36.2	41.7	39.23
61083-102***	2 X50	39.2	44.23	45.8	44.2	49.7	47.23
61083-122***	2 X60	47.2	52.23	53.8	52.2	57.7	55.23
61083-142***	2 X70	55.2	60.23	61.8	60.2	65.7	63.23
61083-162***	2 X80	63.2	68.23	69.8	68.2	73.7	71.23
61083-182***	2 X90	71.2	76.23	77.8	76.2	81.7	79.23
61083-202***	2 X100	79.2	84.23	85.8	84.2	89.7	87.23



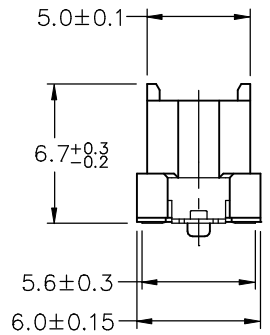
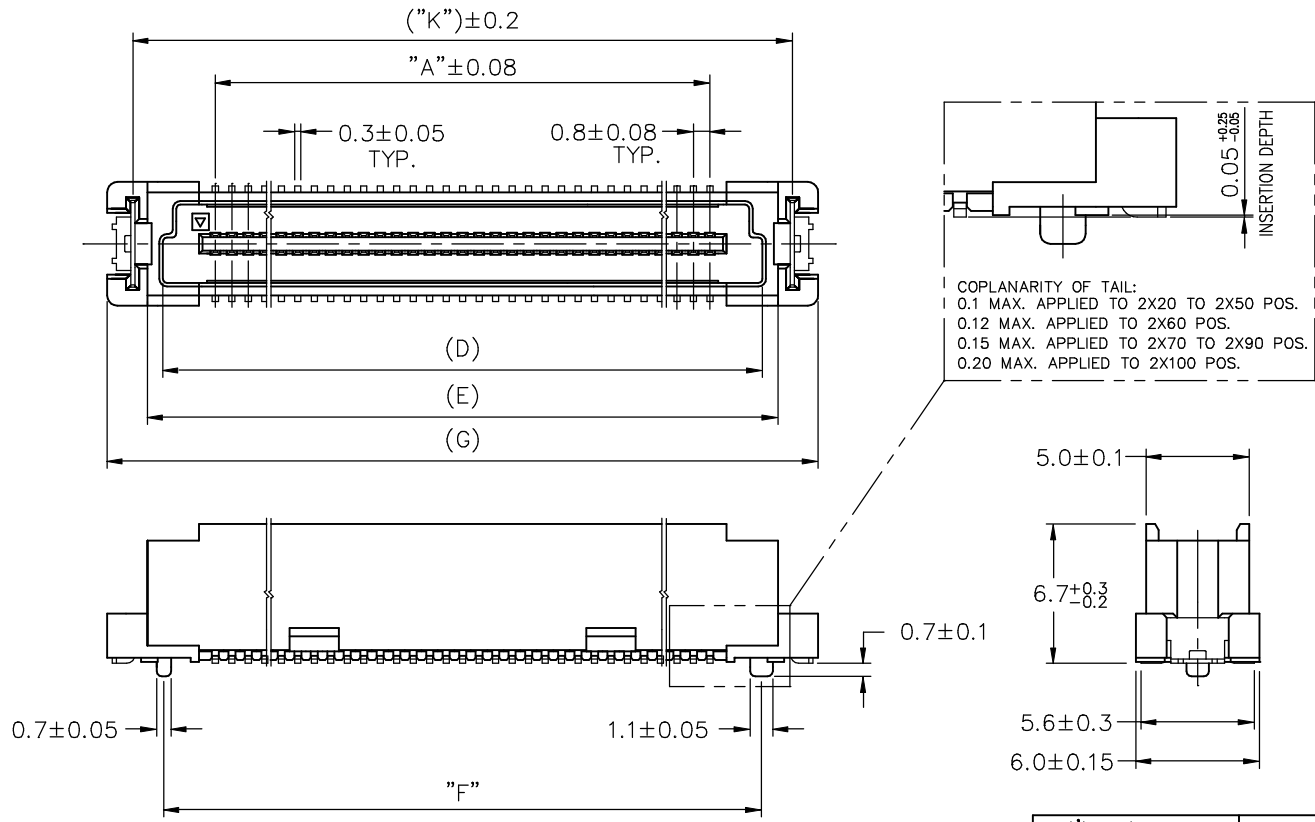
PLUG 2
FOR HOLD DOWN

mat'l code		tolerance unless otherwise specified		CUSTOMER COPY	FCI Electronics www.fciconnect.com	
rev.	ecn no.	dr	date	linear	projection	title
G				.0 ± 0.20 .00 ± 0.15 .000 ± 0.10	⊕	0.8mm BOARD TO BOARD PLUG ASS'Y
				angles	unit	product family
				dr	mm/inch	BERGSTAK
				enr	scale	code
				chr	4 : 1	-
				appd	size	sheet
					A3	7 OF
sheet	revision					
index	sheet					

Tous droits strictement réservés. Reproduction ou communication sans autorisation écrite du propriétaire.
 FCI ELECTRONICS
 Droits de reproduction FCI ELECTRONICS by

All rights strictly reserved. Reproduction or issue to third parties in any form without written authority from the proprietor.
 FCI ELECTRONICS
 Copyright, FCI ELECTRONICS by

PRODUCT NUMBER	POSITIONS	DIMENSION					
		"A"	"D"	"E"	"F"	"G"	"K"
61083-043***	2 X20	15.2	20.23	21.8	20.2	25.7	23.23
61083-063***	2 X30	23.2	28.23	29.8	28.2	33.7	31.23
61083-083***	2 X40	31.2	36.23	37.8	36.2	41.7	39.23
61083-103***	2 X50	39.2	44.23	45.8	44.2	49.7	47.23
61083-123***	2 X60	47.2	52.23	53.8	52.2	57.7	55.23
61083-143***	2 X70	55.2	60.23	61.8	60.2	65.7	63.23
61083-163***	2 X80	63.2	68.23	69.8	68.2	73.7	71.23
61083-183***	2 X90	71.2	76.23	77.8	76.2	81.7	79.23
61083-203***	2 X100	79.2	84.23	85.8	84.2	89.7	87.23



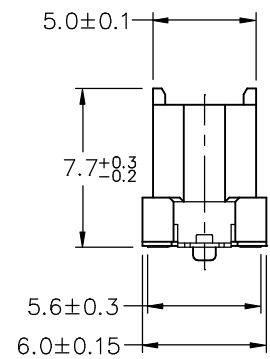
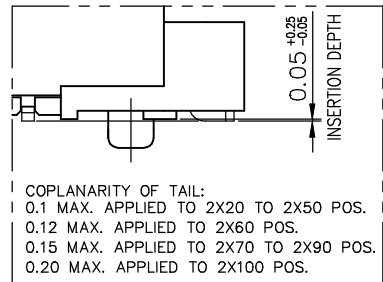
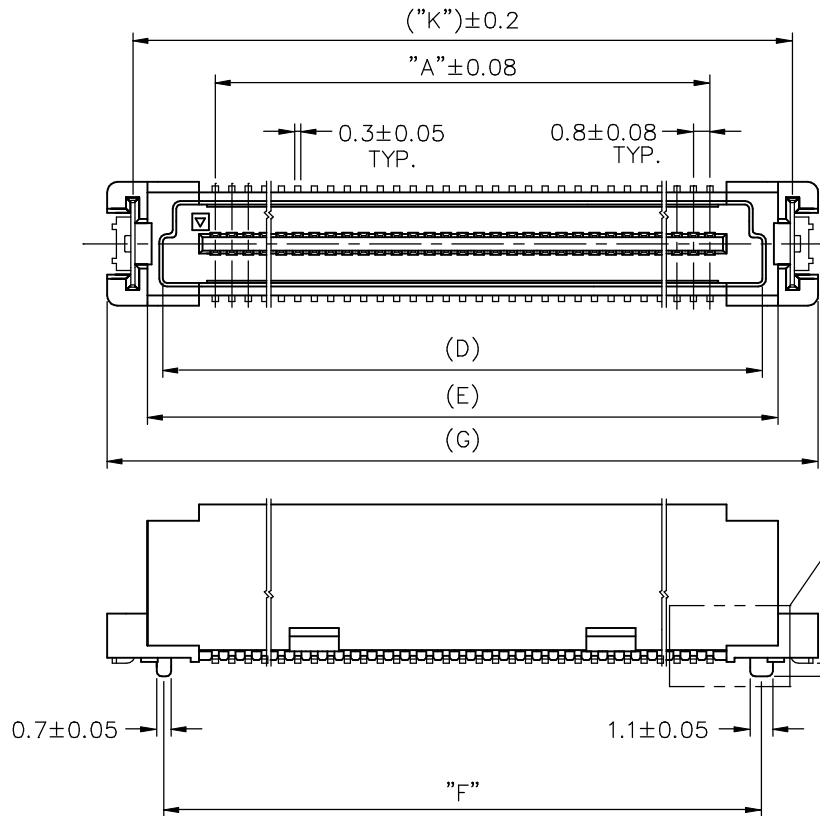
PLUG 3
 FOR HOLD DOWN

mat'l code		tolerance unless otherwise specified		CUSTOMER COPY		 FCI Electronics www.fciconnect.com	
rev.	ecn no.	dr	date	linear	.0 ± 0.20	projection	title
G					.00 ± 0.15		0.8mm BOARD TO BOARD PLUG ASS'Y
				angles	.000 ± 0.10		
		dr	MAGGIE WU 08/01/01	unit	±	mm/inch	product family BERGSTAK code
		enr	EDWARD WU 08/01/01	size		scale	8 OF
		chr	EDWARD WU 08/01/01	scale	4 : 1	A3	61083
		appd	JENN TSAO 08/01/01				
sheet	revision						
index	sheet						

Tous droits strictement réservés. Reproduction ou communication sans autorisation écrite du propriétaire.
 FCI ELECTRONICS
 Droits de reproduction FCI ELECTRONICS by

All rights strictly reserved. Reproduction or issue to third parties in any form without written authority from the proprietor.
 FCI ELECTRONICS
 Copyright, FCI ELECTRONICS by

PRODUCT NUMBER	POSITIONS	DIMENSION					
		"A"	"D"	"E"	"F"	"G"	"K"
61083-044***	2 X20	15.2	20.23	21.8	20.2	25.7	23.23
61083-064***	2 X30	23.2	28.23	29.8	28.2	33.7	31.23
61083-084***	2 X40	31.2	36.23	37.8	36.2	41.7	39.23
61083-104***	2 X50	39.2	44.23	45.8	44.2	49.7	47.23
61083-124***	2 X60	47.2	52.23	53.8	52.2	57.7	55.23
61083-144***	2 X70	55.2	60.23	61.8	60.2	65.7	63.23
61083-164***	2 X80	63.2	68.23	69.8	68.2	73.7	71.23
61083-184***	2 X90	71.2	76.23	77.8	76.2	81.7	79.23
61083-204***	2 X100	79.2	84.23	85.8	84.2	89.7	87.23



PLUG 4
 FOR HOLD DOWN

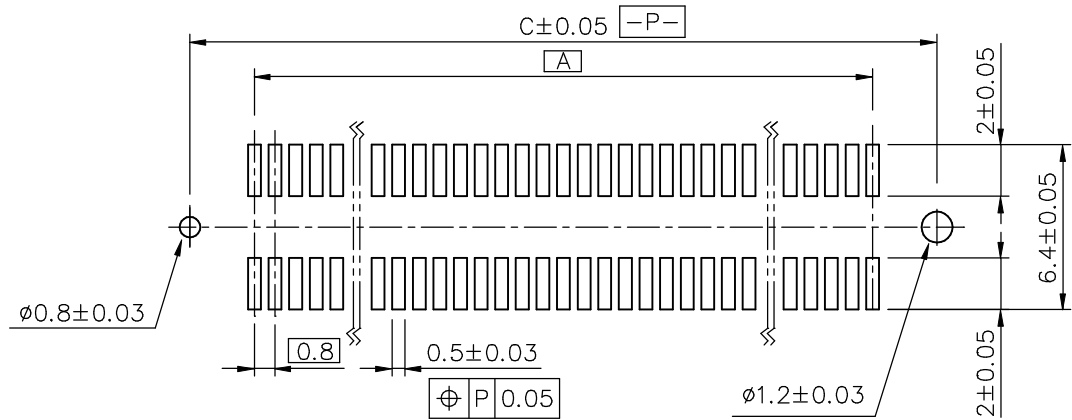
mat'l code		tolerance unless otherwise specified		CUSTOMER COPY		 FCI Electronics www.fciconnect.com	
rev.	ecn no.	dr	date	linear	.0 ± 0.20	projection	 title 0.8mm BOARD TO BOARD PLUG ASS'Y
G					.00 ± 0.15		
				angles	.000 ± 0.10		product family BERGSTAK code - size dwg no. 61083 sheet 9 OF
				dr	±		
				enr	MAGGIE WU 08/01/01	unit	
				chr	EDWARD WU 08/01/01	mm/inch	
				appd	EDWARD WU 08/01/01	scale	
					JENN TSAO 08/01/01	4 : 1	
sheet	revision						
index	sheet						

Tous droits strictement réservés. Reproduction ou communication, à des tiers Int
 without written authority from the proprietor.
 FCI ELECTRONICS
 Copyright FCI ELECTRONICS by

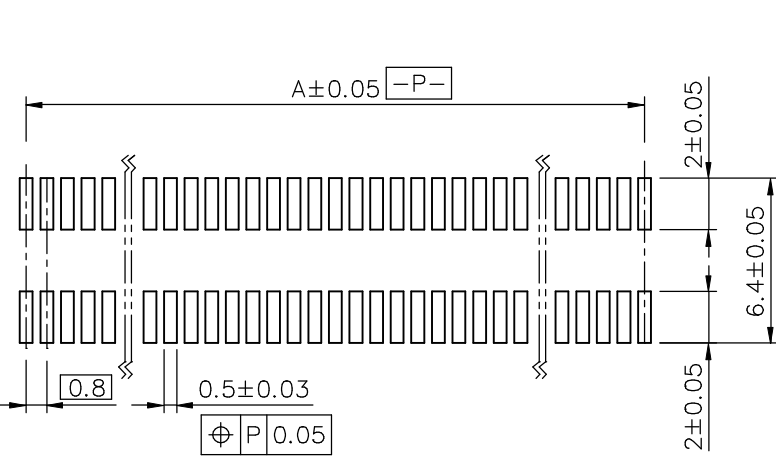
All rights strictly reserved. Reproduction or issue to third parties in any for
 without written authority from the proprietor.
 FCI ELECTRONICS
 Copyright FCI ELECTRONICS by



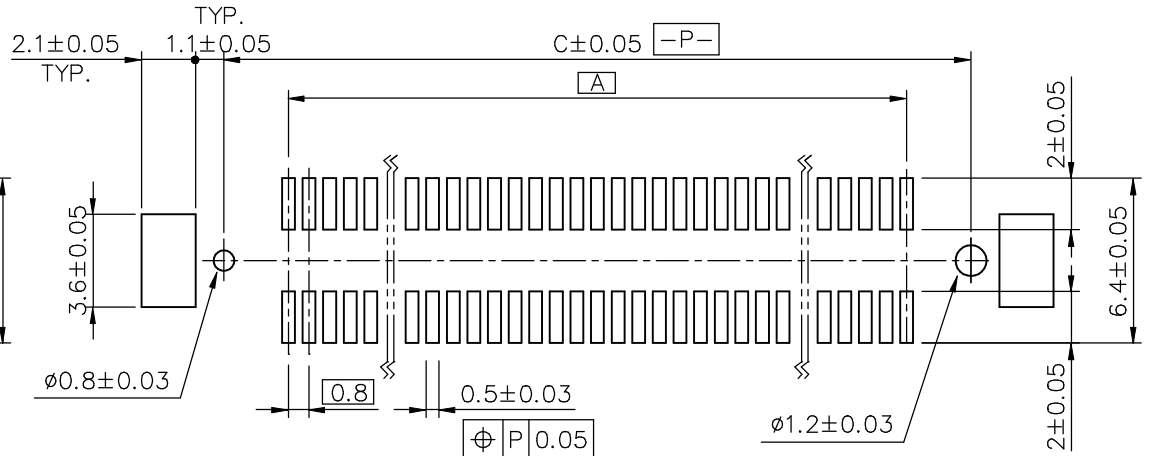
FOR PLUG 1/2/3/4



RECOMMENDED PCB LAYOUT WITH PEG
 FOR NO. OF POS. 2X20, 2X30, 2X40, 2X50, 2X60



RECOMMENDED PCB LAYOUT WITHOUT PEG AND HOLDDOWN
 FOR NO. OF POS. 2X20, 2X30, 2X40, 2X50, 2X60

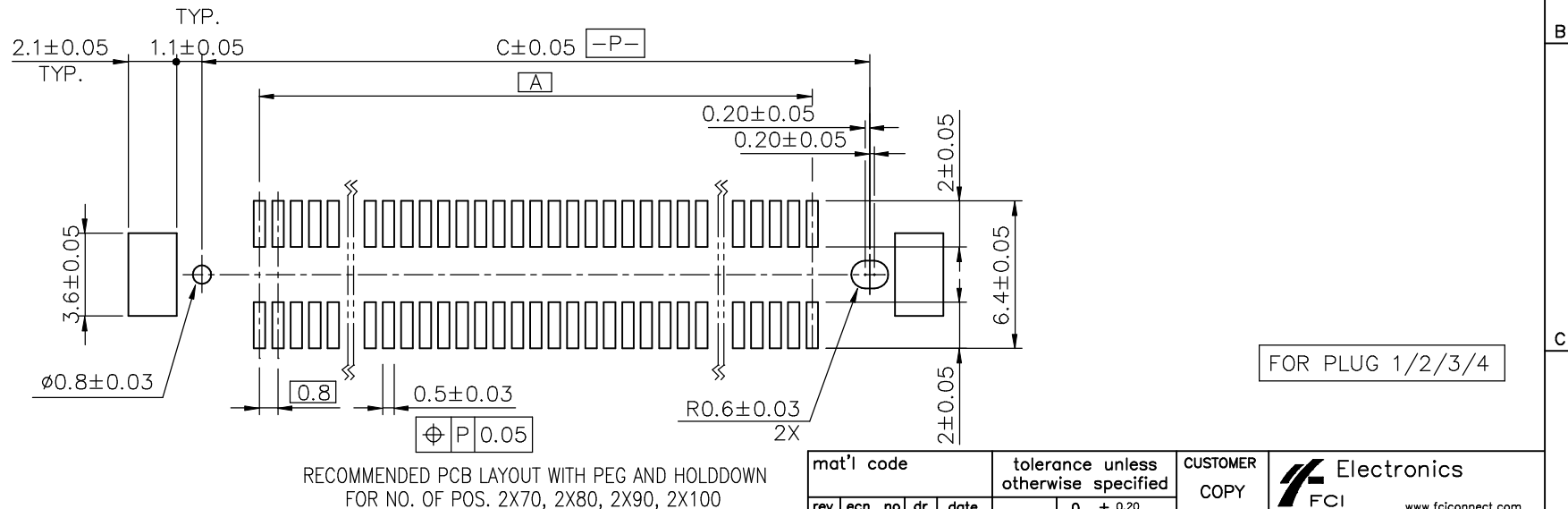
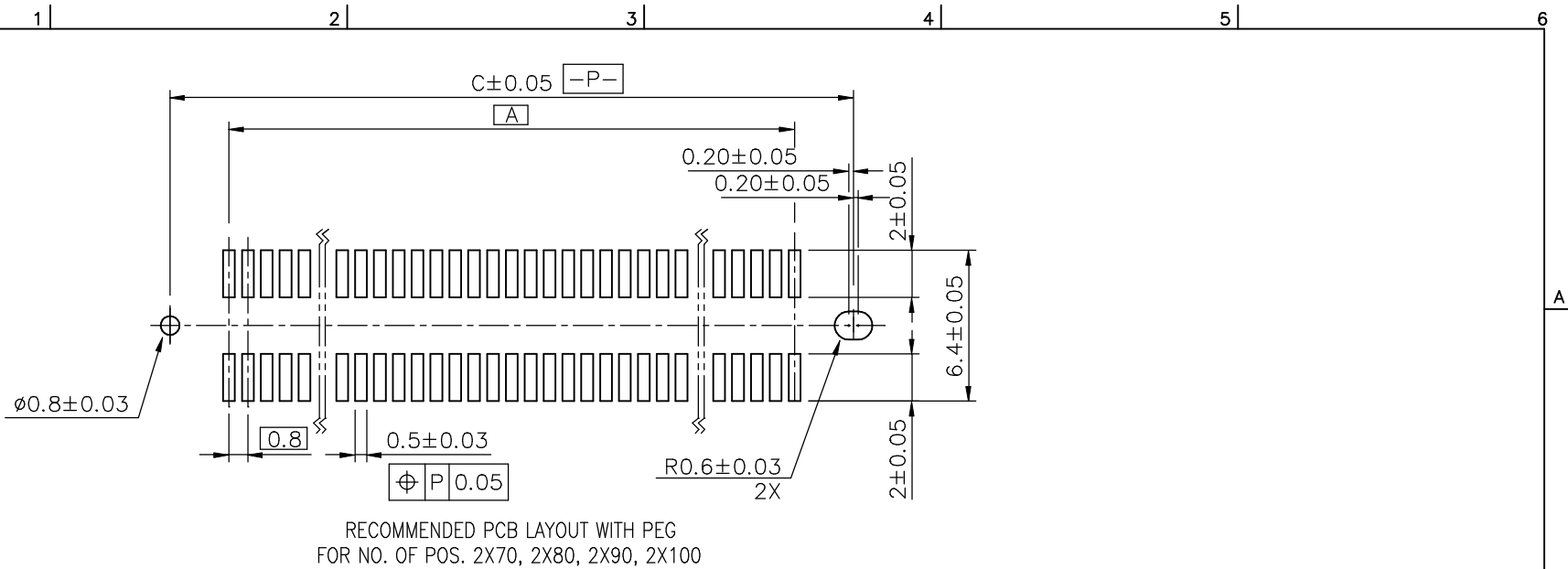


RECOMMENDED PCB LAYOUT WITH PEG AND HOLDDOWN
 FOR NO. OF POS. 2X20, 2X30, 2X40, 2X50, 2X60

mat'l code		tolerance unless otherwise specified		CUSTOMER COPY	FCI Electronics www.fciconnect.com		
rev.	ecn no.	dr	date	linear	projection	title	
G							.0 ± 0.20
				.00 ± 0.15	unit	product family	
				.000 ± 0.10			mm/inch
				angles	scale	code	
				±			5 : 1
		dr	MAGGIE WU 08/01/01	size	A3	sheet	
		enr	EDWARD WU 08/01/01	mm/inch			61083
		chr	EDWARD WU 08/01/01	scale			
		appd	JENN TSAO 08/01/01	5 : 1			
sheet	revision						
index	sheet						

Tous droits strictement réservés. Reproduction ou communication à des tiers int
 ouverts sans autorisation écrite du propriétaire.
 FCI ELECTRONICS.
 Droits de reproduction FCI ELECTRONICS by

All rights strictly reserved. Reproduction or issue to third parties in any for
 without the prior written authority from the proprietor.
 FCI ELECTRONICS.
 Copyright FCI ELECTRONICS by



mat'l code		tolerance unless otherwise specified		CUSTOMER COPY	FCI Electronics www.fciconnect.com	
rev.	ecn no.	dr	date	linear	.0 ± 0.20	projection ⊕
G					.00 ± 0.15	
				angles	.000 ± 0.10	title 0.8mm BOARD TO BOARD PLUG ASS'Y
					±	
		dr	MAGGIE WU 08/01/01	unit	mm/inch	product family BERGSTAK code -
		enr	EDWARD WU 08/01/01	size	A3	
		chr	EDWARD WU 08/01/01	scale	5 : 1	sheet 11 OF
		appd	JENN TSAO 08/01/01			
sheet	revision					
index	sheet					