

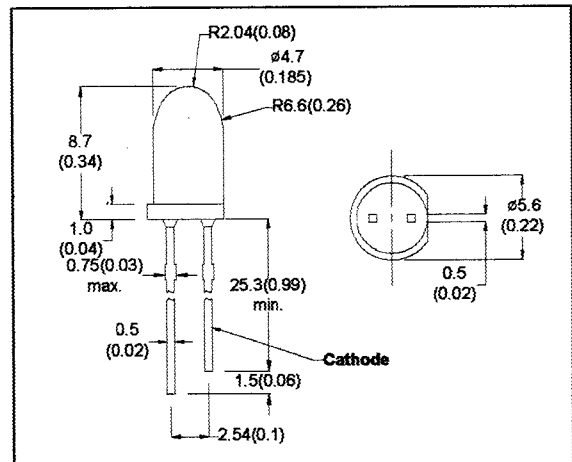
# MELECTRONICSICRO

**MGB49TA**  
**MYB49TA**

**ULTRA HIGH**  
**BRIGHTNESS**  
**LED LAMP**

## DESCRIPTION

MGB49TA is green GaP LED lamp and MYB49TA is yellow GaAsP LED lamp, ultra high brightness output, encapsulated in a 4.7mm diameter clear transparent lens.



- All Dimension in mm (inch)
- No Scale
- Tol : +/- 0.3mm

## ABSOLUTE MAXIMUM RATINGS

Power Dissipation @ Ta=25°C  
Forward Current, DC (IF)  
Reverse Voltage  
Operating & Storage Temperature Range  
Lead Soldering Temperature (1/16" from body)

### MGB49TA

90mW  
30mA  
5V

### MYB49TA

60mA  
20mA  
5V

-55 to =100°C  
260°C for 5 sec.

## ELECTRO-OPTICAL CHARACTERISTICS (Ta=25°C)

PARAMETER	SYMBOL	MGB49TA	MYB49TA	UNIT	CONDITIONS
Forward Voltage	MAX V <sub>F</sub>	3.0	3.0	V	I <sub>F</sub> =20mA
Reverse Breakdown Voltage	MIN BV <sub>R</sub>	5	5	V	I <sub>R</sub> =100 μA
Luminous Intensity	MIN I <sub>V</sub>	300	180	mcd	I <sub>F</sub> =20mA
	TYP	500	300	mcd	I <sub>F</sub> =20mA
Peak Wavelength	TYP λ <sub>p</sub>	570	585	nm	I <sub>F</sub> =20mA
Spectral Line Half Width	TYP Δλ	30	35	nm	I <sub>F</sub> =20mA
Viewing Angle	TYP 2θ 1/2	12	12	degree	I <sub>F</sub> =20mA

Rev.B.

MICRO ELECTRONICS LTD.

38, Hung To Road, Microtron Building, Kwun Tong, Kowloon, Hong Kong.

Kwun Tong P.O. Box 69477 Hong Kong. Fax No. 2341 0321 Telex:43510 Micro Hx. Tel: 2343 0181-5

Aug-99