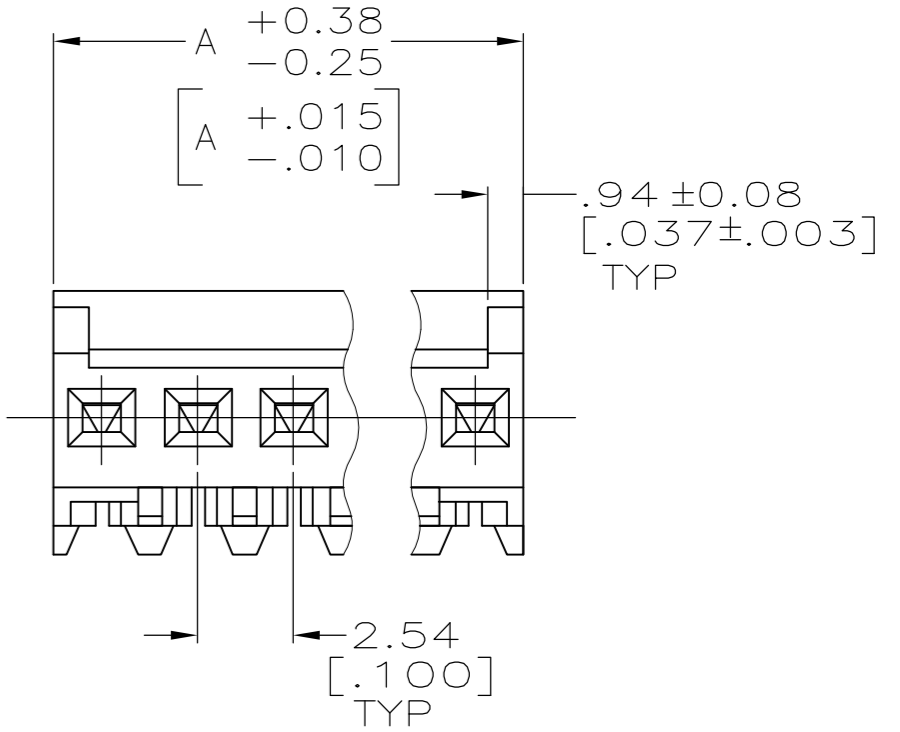
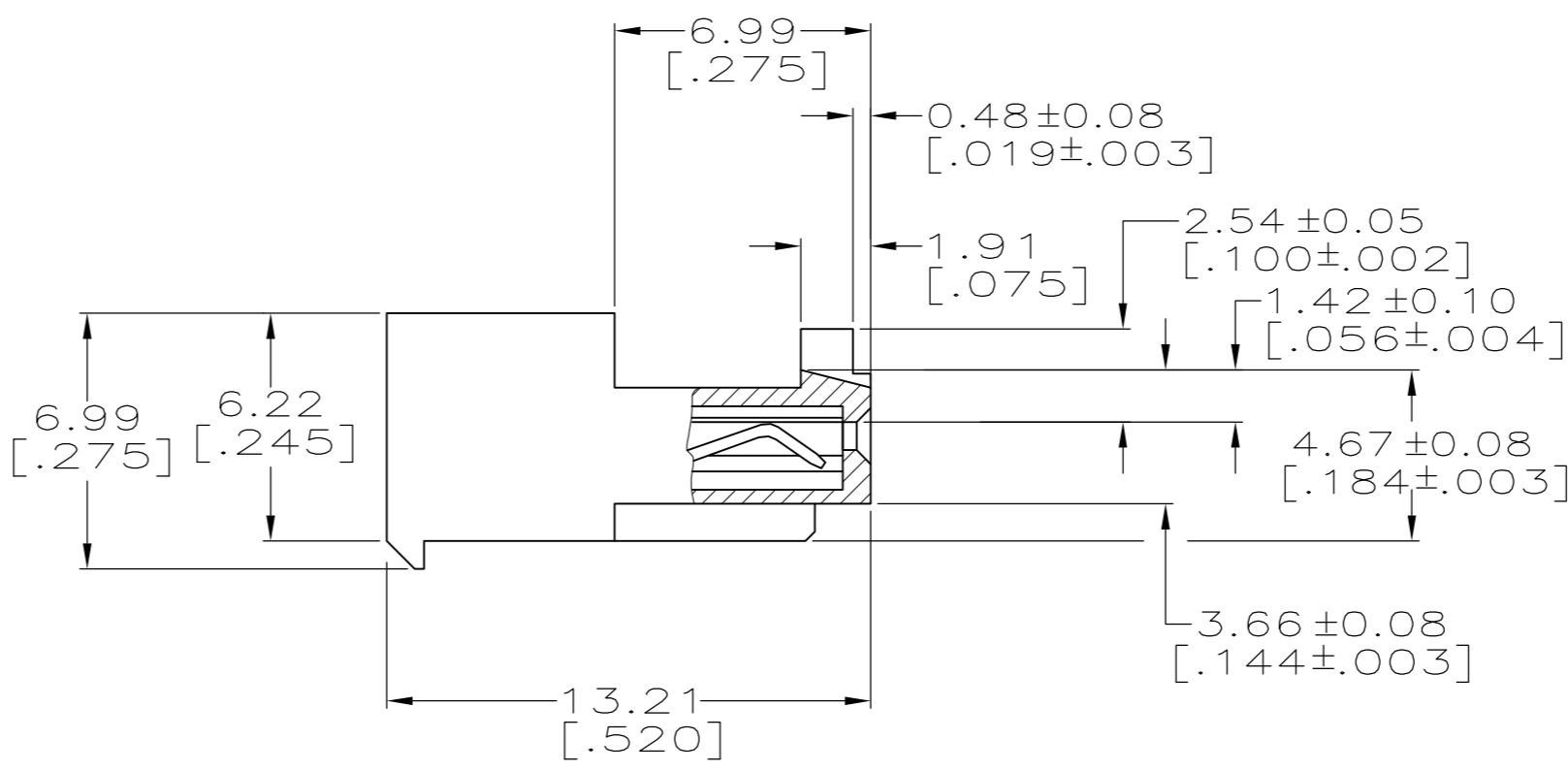
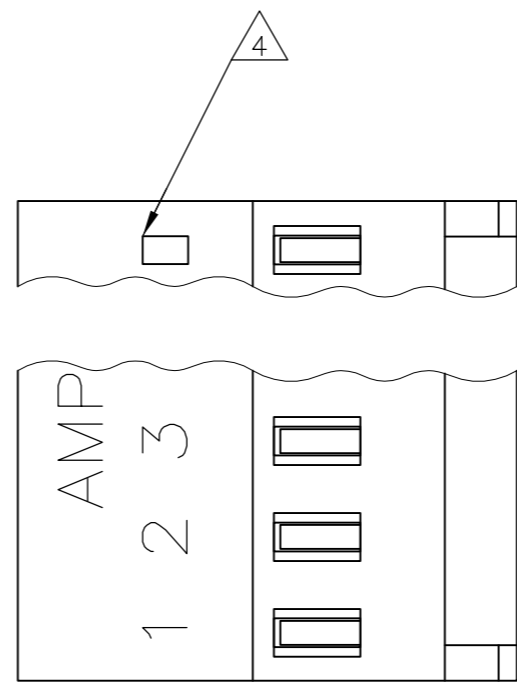


THIS DRAWING IS UNPUBLISHED. RELEASED FOR PUBLICATION
 © COPYRIGHT BY TYCO ELECTRONICS CORPORATION. ALL INTERNATIONAL RIGHTS RESERVED.

LOC		DIST		REVISIONS			
P	LTR	DESCRIPTION	DATE	DWN	APVD		
	J1	REVISED PER ECO-08-013256	29MAY08	HMR	DB		

LEADFREE	DIM A	NO. OF CIRCUITS	PART NO.
YES	71.12[2.800]	28	5-644020-8
YES	68.58[2.700]	27	5-644020-7
YES	66.04[2.600]	26	5-644020-6
YES	63.50[2.500]	25	5-644020-5
YES	60.96[2.400]	24	5-644020-4
YES	58.42[2.300]	23	5-644020-3
YES	55.88[2.200]	22	5-644020-2
YES	53.34[2.100]	21	5-644020-1
YES	50.80[2.000]	20	5-644020-0
YES	48.26[1.900]	19	4-644020-9
YES	45.72[1.800]	18	4-644020-8
YES	43.18[1.700]	17	4-644020-7
YES	40.64[1.600]	16	4-644020-6
YES	38.10[1.500]	15	4-644020-5
YES	35.56[1.400]	14	4-644020-4
YES	33.02[1.300]	13	4-644020-3
YES	30.48[1.200]	12	4-644020-2
YES	27.94[1.100]	11	4-644020-1
YES	25.40[1.000]	10	4-644020-0
YES	22.86[.900]	9	3-644020-9
YES	20.32[.800]	8	3-644020-8
YES	17.78[.700]	7	3-644020-7
YES	15.24[.600]	6	3-644020-6
YES	12.70[.500]	5	3-644020-5
YES	10.16[.400]	4	3-644020-4
YES	7.62[.300]	3	3-644020-3
YES	5.08[.200]	2	3-644020-2
NO	71.12[2.800]	28	2-644020-8
NO	68.58[2.700]	27	2-644020-7
NO	66.04[2.600]	26	2-644020-6
NO	63.50[2.500]	25	2-644020-5
NO	60.96[2.400]	24	2-644020-4
NO	58.42[2.300]	23	2-644020-3
NO	55.88[2.200]	22	2-644020-2
NO	53.34[2.100]	21	2-644020-1
NO	50.80[2.000]	20	2-644020-0
NO	48.26[1.900]	19	1-644020-9
NO	45.72[1.800]	18	1-644020-8
NO	43.18[1.700]	17	1-644020-7
NO	40.64[1.600]	16	1-644020-6
NO	38.10[1.500]	15	1-644020-5
NO	35.56[1.400]	14	1-644020-4
NO	33.02[1.300]	13	1-644020-3
NO	30.48[1.200]	12	1-644020-2
NO	27.94[1.100]	11	1-644020-1
NO	25.40[1.000]	10	1-644020-0
NO	22.86[.900]	9	644020-9
NO	20.32[.800]	8	644020-8
NO	17.78[.700]	7	644020-7
NO	15.24[.600]	6	644020-6
NO	12.70[.500]	5	644020-5
NO	10.16[.400]	4	644020-4
NO	7.62[.300]	3	644020-3
NO	5.08[.200]	2	644020-2



- 1 MATERIAL: CONNECTOR-NYLON UL94V-2 (WHITE). CONTACTS-0.30 [.012] THICK COPPER ALLOY 0.00076 [.000030] GOLD IN CONTACT AREA WITH BRIGHT TIN-LEAD FOR 644020-2 THRU 2-644020-8, MATTE WHISKER MITIGATED TIN FOR 3-644020-2 THRU 5-644020-8 OVER NICKEL UNDERPLATE.
- 2 CONTACTS ACCEPT 24 AWG WIRE WITH 1.52[.060] MAX INSULATION DIAMETER.
- 3 CONTACTS MUST ACCEPT 0.64±0.03 [.025±.001] SQUARE POST AND REMAIN LOCKED IN POSITION.
- 4 IDENTIFICATION NUMBER FOR LAST CIRCUIT MAY NOT APPEAR ON ALL ASSEMBLIES.
- 5 DIMENSIONS IN BRACKETS ARE IN INCHES.
- 6 HOUSING FEATURES ARE: CLOSED END WITH LOCKING RAMP AND WITH POLARIZING TAB.

METRIC

THIS DRAWING IS A CONTROLLED DOCUMENT.		DWN S. CARPENTER 12JUN2003	Tyco Electronics Corporation Harrisburg, PA 17105-3608	
DIMENSIONS: mm [INCHES]		CHK D. BOSSI 12JUN2003	NAME MTA-100 CONNECTOR ASSEMBLY, 24 AWG, STANDARD	
TOLERANCES UNLESS OTHERWISE SPECIFIED: 0 PLC ± 1 PLC ± 2 PLC ± 3 PLC ± 0.13 [.005] 4 PLC ± ANGLES ± FINISH		APVD D. BOSSI 12JUN2003	PRODUCT SPEC 108-1050	
MATERIAL		APPLICATION SPEC 114-1019	SIZE A2	CAGE CODE 00779
1		WEIGHT	DRAWING NO C=644020	RESTRICTED TO -
1		CUSTOMER DRAWING		SCALE 5:1 SHEET 1 of 1 REV J1