

## DM74157 Quad 2-Line to 1-Line Data Selectors/Multiplexers

### General Description

These data selectors/multiplexers contain inverters and drivers to supply full on-chip data selection to the four out-put gates. A separate strobe input is provided. A 4-bit word is selected from one of two sources and is routed to the four out-puts.

### Applications

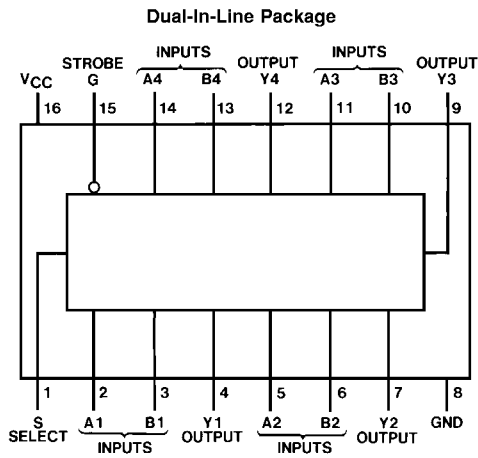
- Expand any data input point
- Multiplex dual data buses
- Generate four functions of two variables (one variable is common)

- Source programmable counters

### Features

- Buffered inputs and outputs
- Typical propagation time 9 ns
- Typical power dissipation 150 mW
- Alternate Military/Aerospace device (54157) is available. Contact a Fairchild Semiconductor Sales Office/Distributor for specifications.

### Connection Diagram



Order Number 54157DMQB, 54157FMQB, DM54157J, DM54157W or DM74157N  
See Package Number J16A, N16E or W16A

### Function Table

Strobe	Inputs			Output Y
	Select	A	B	
H	X	X	X	L
L	L	L	X	L
L	L	H	X	H
L	H	X	L	L
L	H	X	H	H

H = High Level, L = Low Level, X = Don't Care

<b>Absolute Maximum Ratings</b> (Note 1)	DM54 and 54	-55°C to +125°C
Supply Voltage	7V	0°C to +70°C
Input Voltage	5.5V	-65°C to +150°C
Operating Free Air Temperature Range		

## Recommended Operating Conditions

Symbol	Parameter	DM54157			DM74157			Units
		Min	Nom	Max	Min	Nom	Max	
V <sub>CC</sub>	Supply Voltage	4.5	5	5.5	4.75	5	5.25	V
V <sub>IH</sub>	High Level Input Voltage	2			2			V
V <sub>IL</sub>	Low Level Input Voltage			0.8			0.8	V
I <sub>OH</sub>	High Level Output Current			-0.8			-0.8	mA
I <sub>OL</sub>	Low Level Output Current			16			16	mA
T <sub>A</sub>	Free Air Operating Temperature	-55		125	0		70	°C

**Note 1:** The "Absolute Maximum Ratings" are those values beyond which the safety of the device cannot be guaranteed. The device should not be operated at these limits. The parametric values defined in the "Electrical Characteristics" table are not guaranteed at the absolute maximum ratings. The "Recommended Operating Conditions" table will define the conditions for actual device operation.

## Electrical Characteristics

over recommended operating free air temperature range (unless otherwise noted)

Symbol	Parameter	Conditions	Min	Typ (Note 2)	Max	Units
V <sub>I</sub>	Input Clamp Voltage	V <sub>CC</sub> = Min, I <sub>I</sub> = -12 mA			-1.5	V
V <sub>OH</sub>	High Level Output Voltage	V <sub>CC</sub> = Min, I <sub>OH</sub> = Max V <sub>IL</sub> = Max, V <sub>IH</sub> = Min	2.4	3.4		V
V <sub>OL</sub>	Low Level Output Voltage	V <sub>CC</sub> = Min, I <sub>OL</sub> = Max V <sub>IH</sub> = Min, V <sub>IL</sub> = Max			0.4	V
I <sub>I</sub>	Input Current @ Max Input Voltage	V <sub>CC</sub> = Max, V <sub>I</sub> = 5.5V			1	mA
I <sub>IH</sub>	High Level Input Current	V <sub>CC</sub> = Max, V <sub>I</sub> = 2.4V			40	μA
I <sub>IL</sub>	Low Level Input Current	V <sub>CC</sub> = Max, V <sub>I</sub> = 0.4V			-1.6	mA
I <sub>OS</sub>	Short Circuit Output Current	V <sub>CC</sub> = Max (Note 3)	DM54 -20 DM74 -18		-55 -55	mA
I <sub>CC</sub>	Supply Current	V <sub>CC</sub> = Max (Note 4)		30	48	mA

**Note 2:** All typicals are at V<sub>CC</sub> = 5V, T<sub>A</sub> = 25°C.

**Note 3:** Not more than one output should be shorted at a time.

**Note 4:** I<sub>CC</sub> is measured with 4.5V applied to all inputs and all outputs open.

## Switching Characteristics

at V<sub>CC</sub> = 5V and T<sub>A</sub> = 25°C

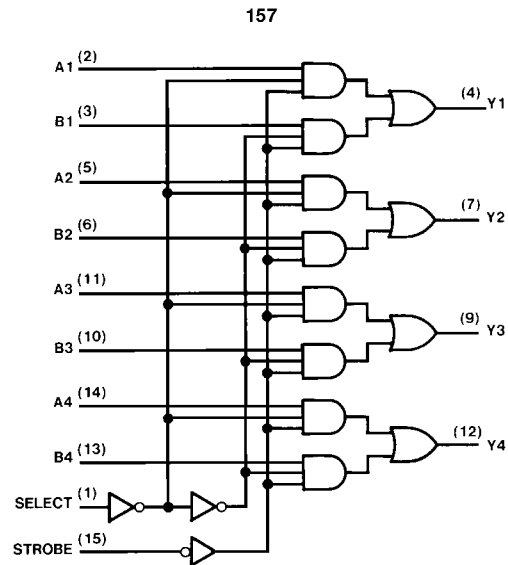
Symbol	Parameter	From (Input) To (Output)	R <sub>L</sub> = 400Ω, C <sub>L</sub> = 15 pF		Units
			Min	Max	
t <sub>PLH</sub>	Propagation Delay Time Low to High Level Output	Data to Y		14	ns
t <sub>PHL</sub>	Propagation Delay Time High to Low Level Output	Data to Y		14	ns
t <sub>PLH</sub>	Propagation Delay Time Low to High Level Output	Strobe to Y		20	ns
t <sub>PHL</sub>	Propagation Delay Time High to Low Level Output	Strobe to Y		21	ns

## Switching Characteristics (Continued)

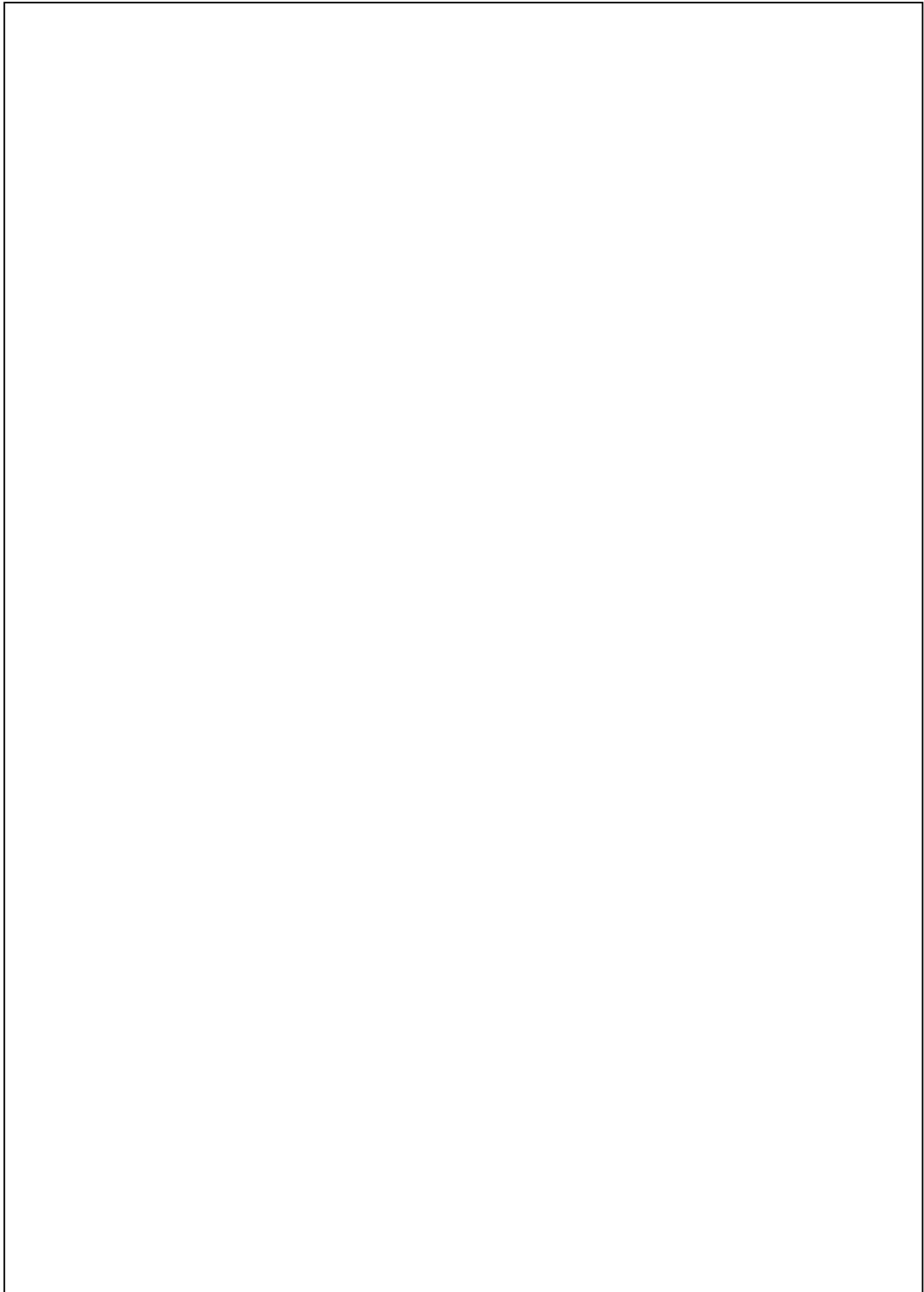
at  $V_{CC} = 5V$  and  $T_A = 25^\circ C$

Symbol	Parameter	From (Input) To (Output)	$R_L = 400\Omega, C_L = 15\text{ pF}$		Units
			Min	Max	
$t_{PLH}$	Propagation Delay Time Low to High Level Output	Select to Y		23	ns
$t_{PHL}$	Propagation Delay Time High to Low Level Output	Select to Y		27	ns

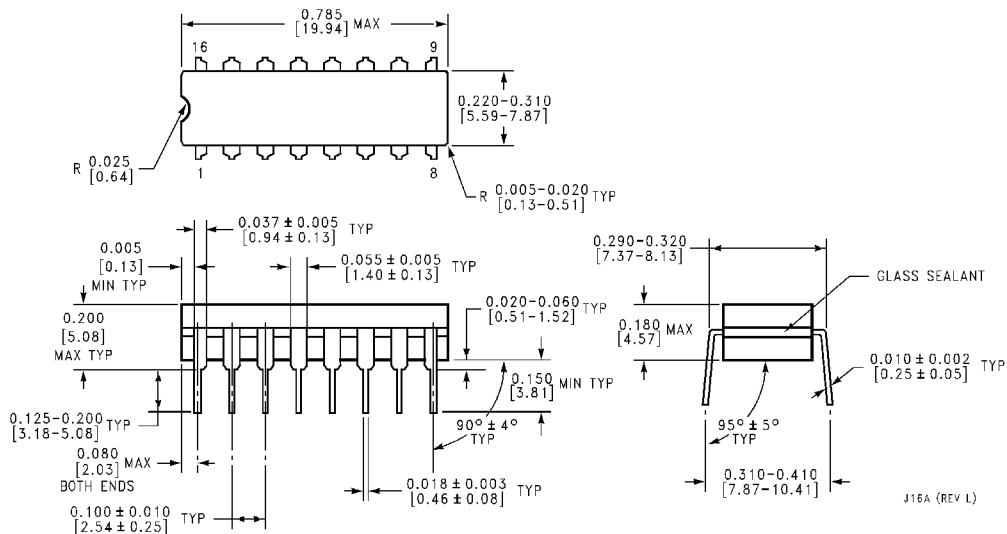
## Logic Diagram



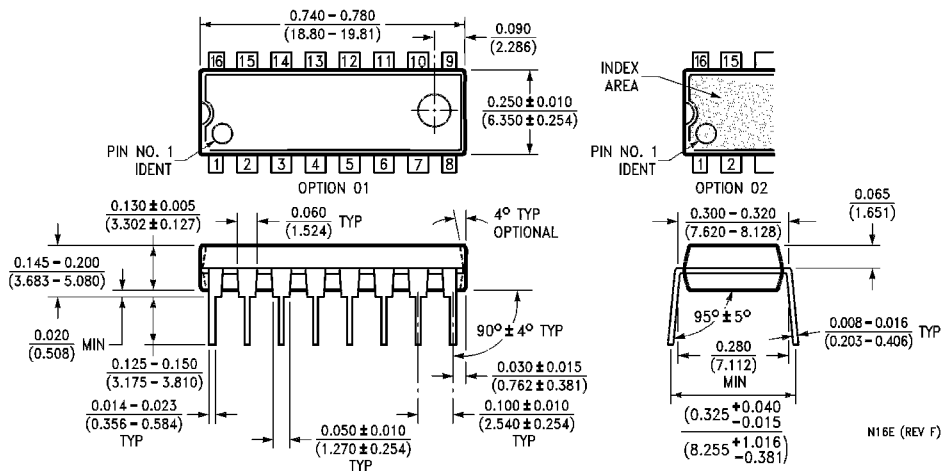
DS009550-2



**Physical Dimensions** inches (millimeters) unless otherwise noted

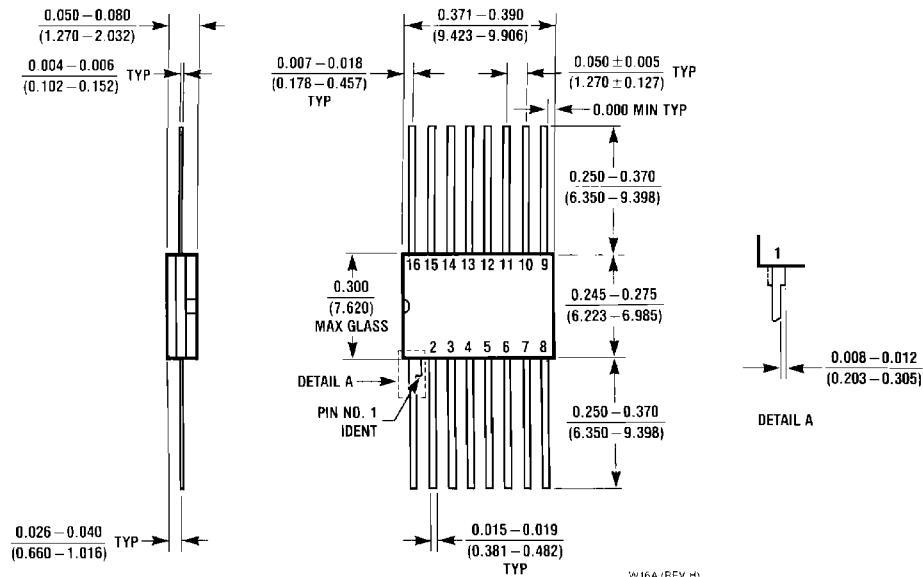


**16-Lead Ceramic Dual-In-Line Package (J)**  
**Order Number 54157W or DM54157J**  
**Package Number J16A**



**16-Lead Molded Dual-In-Line Package (N)**  
**Order Number DM74157N**  
**Package Number N16E**

**Physical Dimensions** inches (millimeters) unless otherwise noted (Continued)



**16-Lead Ceramic Flat Package (W)**  
**Order Number 54157FMQB or DM54157W**  
**Package Number W16A**

**LIFE SUPPORT POLICY**

FAIRCHILD'S PRODUCTS ARE NOT AUTHORIZED FOR USE AS CRITICAL COMPONENTS IN LIFE SUPPORT DEVICES OR SYSTEMS WITHOUT THE EXPRESS WRITTEN APPROVAL OF THE PRESIDENT OF FAIRCHILD SEMICONDUCTOR CORPORATION. As used herein:

1. Life support devices or systems are devices or systems which, (a) are intended for surgical implant into the body, or (b) support or sustain life, and (c) whose failure to perform when properly used in accordance with instructions for use provided in the labeling, can be reasonably expected to result in a significant injury to the user.
2. A critical component in any component of a life support device or system whose failure to perform can be reasonably expected to cause the failure of the life support device or system, or to affect its safety or effectiveness.

**Fairchild Semiconductor Corporation Americas**  
 Customer Response Center  
 Tel: 1-888-522-5372

**Fairchild Semiconductor Europe**  
 Fax: +49 (0) 1 80-530 85 86  
 Email: europe.support@nsc.com  
 Deutsch Tel: +49 (0) 8 141-35-0  
 English Tel: +44 (0) 1 793-85-68-56  
 Italy Tel: +39 (0) 2 57 5631

**Fairchild Semiconductor Hong Kong Ltd.**  
 13th Floor, Straight Block,  
 Ocean Centre, 5 Canton Rd.  
 Tsimshatsui, Kowloon  
 Hong Kong  
 Tel: +852 2737-7200  
 Fax: +852 2314-0061

**National Semiconductor Japan Ltd.**  
 Tel: 81-3-5620-6175  
 Fax: 81-3-5620-6179

[www.fairchildsemi.com](http://www.fairchildsemi.com)