

A-14-13

# EXAMPLE & ORDERING CODE

PHONE JACKS PHJ - 8 P 8 C - 1 S - 8 - 4

NUMBER OF POSITIONS:  
= 4  
= 6  
= 8  
= 10

NUMBER OF CONTACTS:  
= 2  
= 4  
= 6  
= 8  
= 10

NUMBER OF PORTS: 1 THROUGH 12

OPTIONS:  
UNSHIELDED = BLANK  
SHIELDED = S

BODY STYLE: SEE CATALOG PAGES 108-122

COLOR:  
BLACK = BLANK  
GRAY = G  
(FOR COUPLER ONLY): RED = R  
BLUE = B  
YELLOW = Y  
GREEN = N  
WHITE = W  
IVORY = I

PLATING:  
6µ" OF GOLD = BLANK  
10µ" OF GOLD = 1  
15µ" OF GOLD = 2  
20µ" OF GOLD = 3  
30µ" OF GOLD = 4  
(STANDARD) 50µ" OF GOLD = 5

TELEPHONE JACKS & PLUGS

6

## SPECIFICATIONS

**MATERIAL AND FINISH:**  
**Shell: (shielded)**  
Material: PBT Mixed 15% Glass Fiber  
Rating: UL 94V-0  
Shield: Tin Plated Phosphor Bronze  
**Shell: (unshielded)**  
Material: PBT mixed 15% Glass Fiber  
Rating: UL 94V-0

**Contacts:**  
Material: 0.38mm flat pin Phosphor Bronze Alloy  
Plating: Gold 30µ"  
Tin 150µ"  
Nickel 50µ"

**MECHANICAL:**  
**Mating Force:** 2 contacts = 350 g  
4 contacts = 500 g  
6 contacts = 750 g  
8 contacts = 900 g  
**Retention Force:** (between jack and plug) 7.7 kg

**ELECTRICAL SPECIFICATIONS:**  
**Rated Current:** 1.5A  
**Insulator Resistance:** 500 Megaohm min.  
**Contact Resistance:** 20 milliohm max. per contact  
**Dielectric Withstanding Strength:** 1000 VAC RMS @ 60 Hz  
**Shield:** Shielding effective from 30 MHz

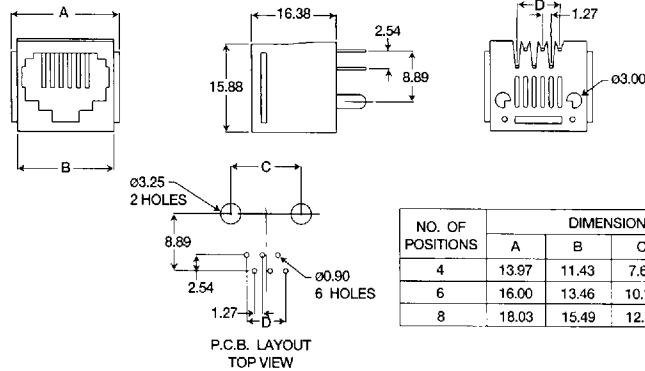
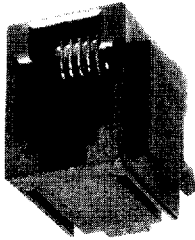


59 Lakeside Avenue • West Orange, N.J. 07052-0539 • 201 736-5722 • FAX: 201 736-8930

# Vertical

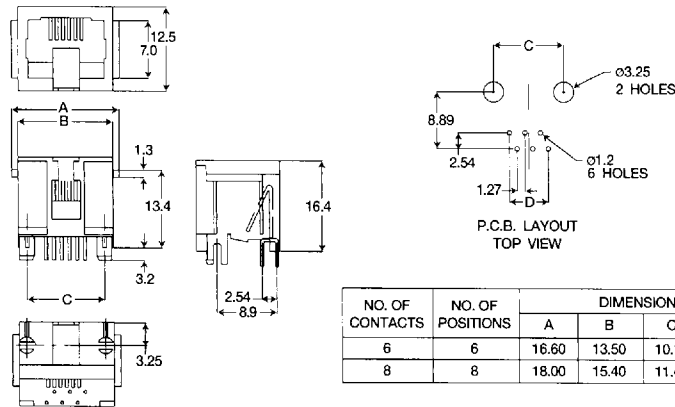
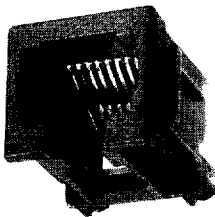
PHJ-6P6C-1-V-5

(shown)

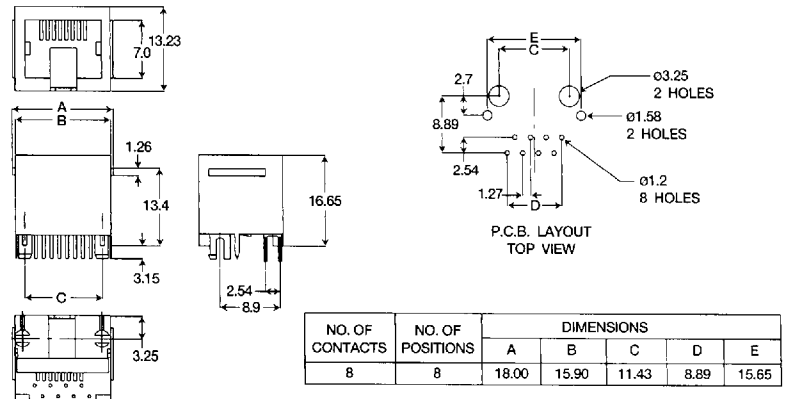
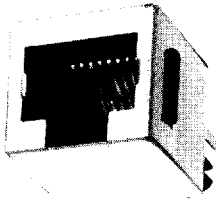


PHJ-8P8C-1-2-5

(shown)

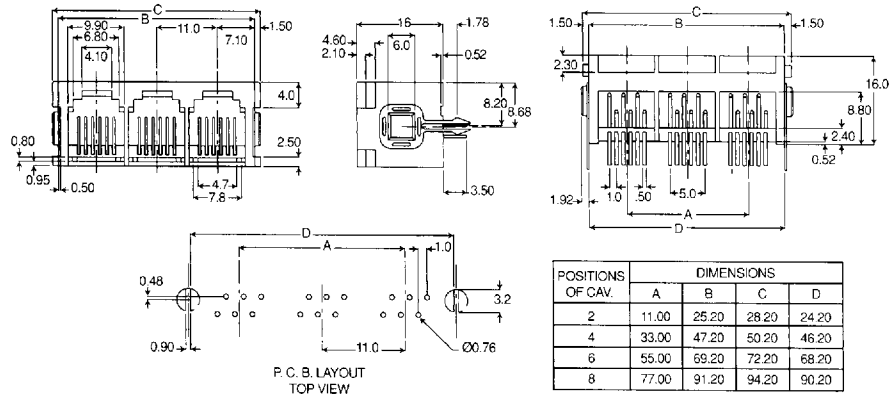
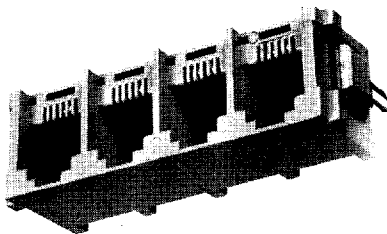


PHJ-8P8C-1S-2-5  
Fully Shielded



PHJ-6P6C-X-M-5

(shown)

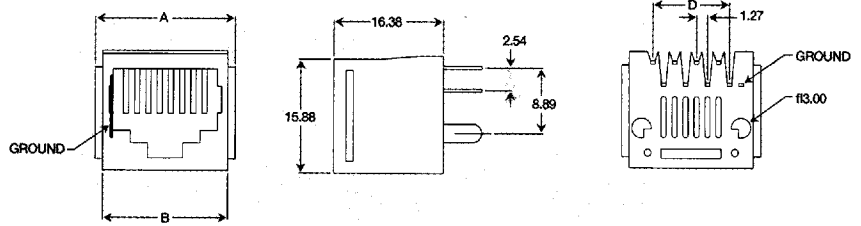
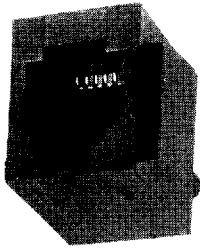


Specifications subject to change without notice. Dimensions in mm.

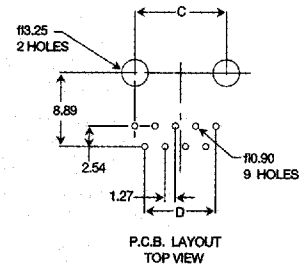


# Vertical

PHJ-8P8C-1G-V-5

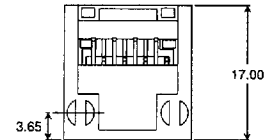
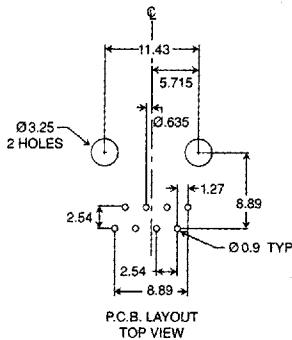
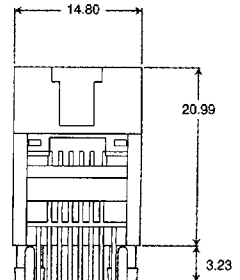
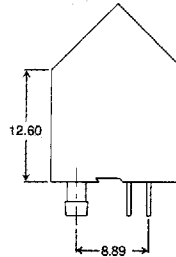
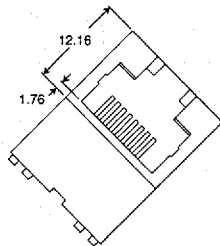
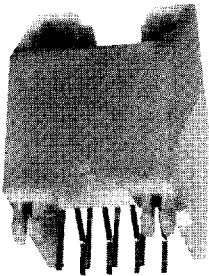


NO. OF POSITIONS	DIMENSIONS			
	A	B	C	D
8	18.03	15.49	12.70	8.89



6 TELEPHONE JACKS & PLUGS

PHJ-8P8C-1-4-5



Specifications subject to change without notice. Dimensions in mm.

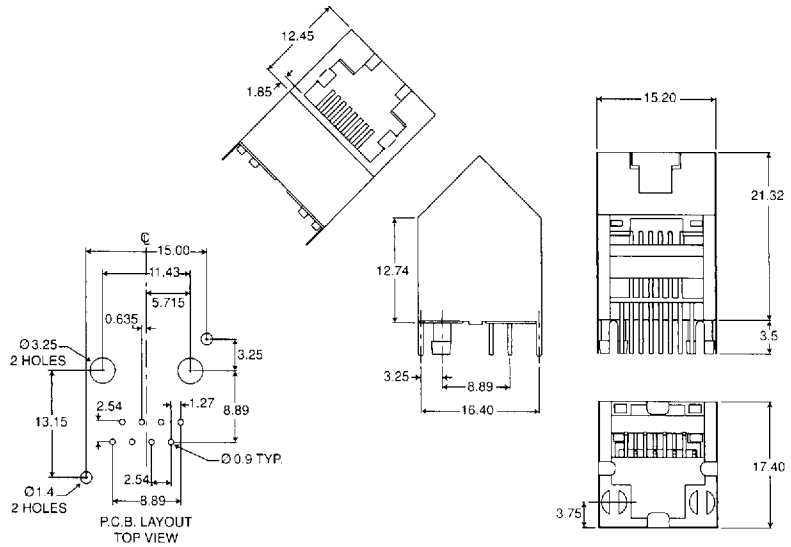
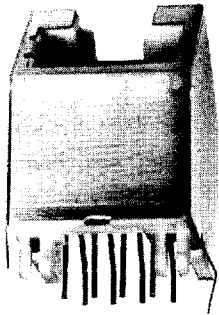


59 Lakeside Avenue • West Orange, N.J. 07052-0539 • 201 736-5722 • FAX: 201 736-8930

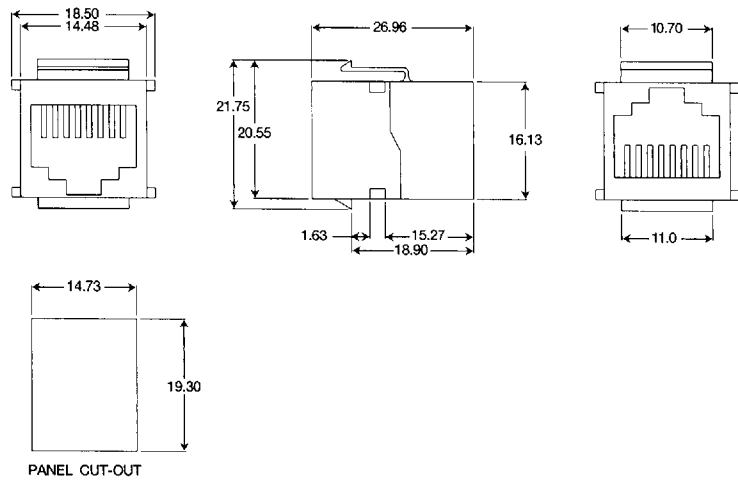
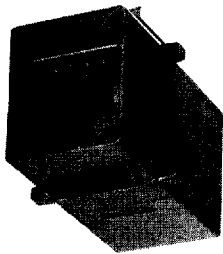
# Verticle/Couplers



PHJ-8P8C-1S-4-5  
Fully Shielded

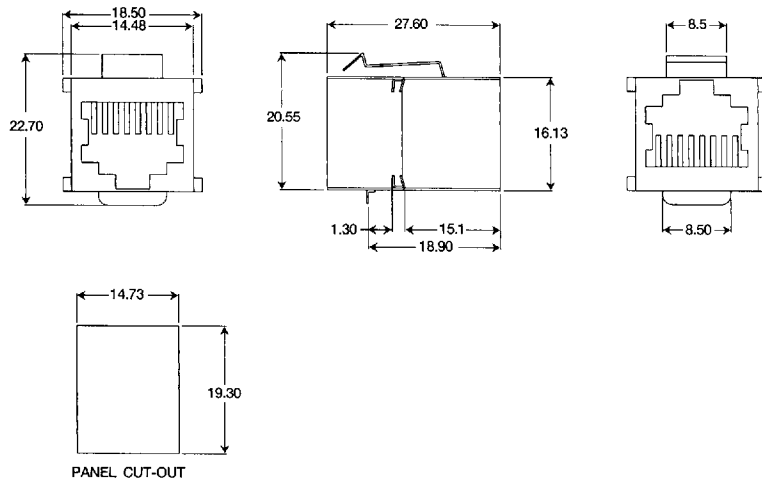
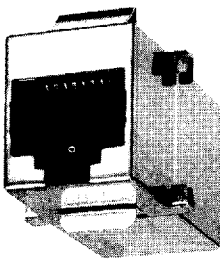


PHJ-8P8C-1-S-5  
(shown)



Also available in 6P6C, 6P4C, and 6P2C.

PHJ-8P8C-1S-S-5  
(shown)  
Fully Shielded



Specifications subject to change without notice. Dimensions in mm.



59 Lakeside Avenue • West Orange, N.J. 07052-0539 • 201 736-5722 • FAX: 201 736-8930

D 06F ■ 7286705 0001482 546 ■