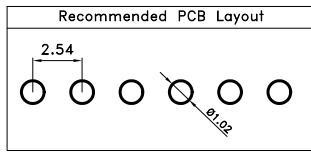
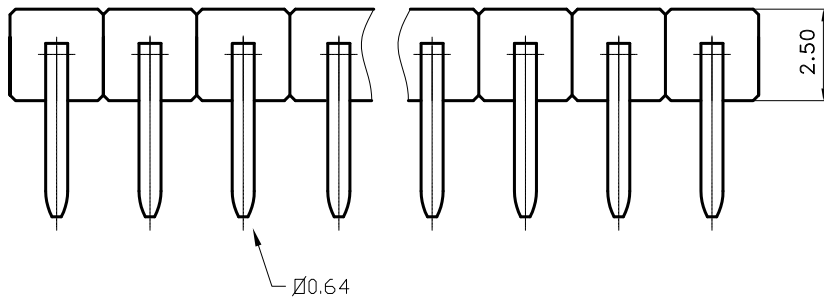
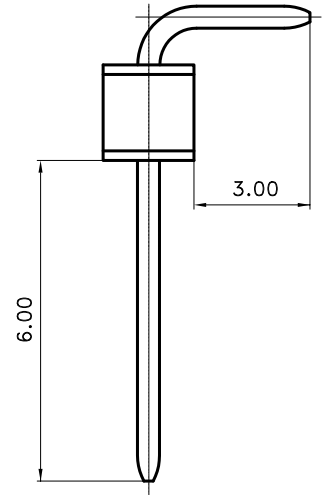
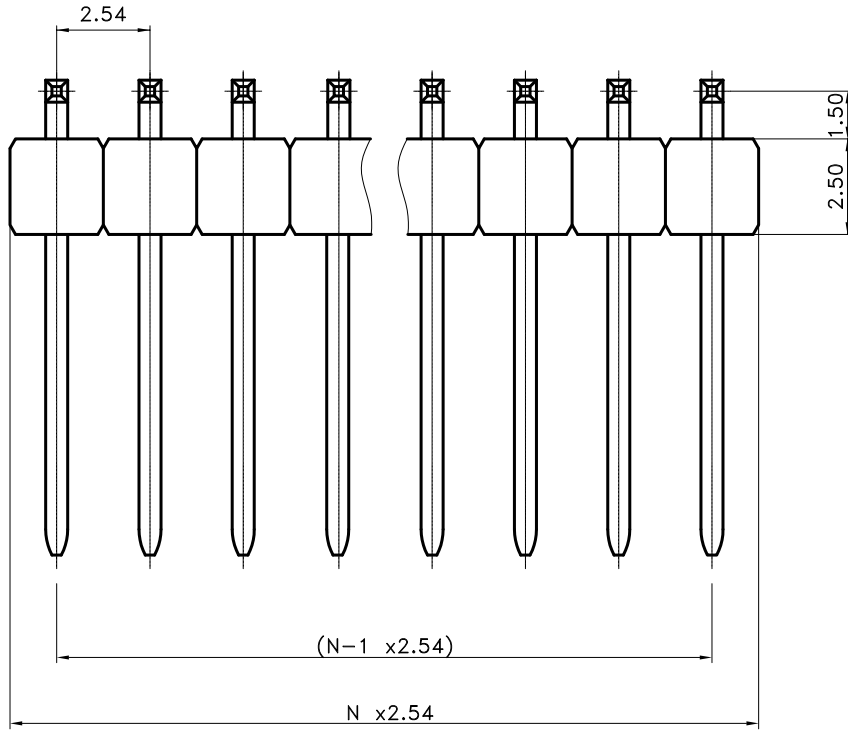


THIS DRAWING IS THE PROPERTY OF KONTEK COMATEL S.p.a. AND IT CAN NOT BE USED, REPRODUCED AND OR LOANED TO THIRD PARTIES WITHOUT THE WRITTEN PERMISSION OF KONTEK COMATEL S.p.a.



Reserved to the customer

Customer's code

Stamp and sign for approval

DATE:

Note:		
INDEX	DATE	EDIT

Material	Pin: Copper alloy	Insulator: Nylon 6T
Platings	Y= 0: GOLD PLATED	Y= 1: GOLD FLASH
	Y= 4: TIN PLATED	Y= 7: SELECTIVE GOLD 0.25µm
Protection	XX= N: Number of contacts (02÷50)	

UNIT:mm
general tolerance
X ±0.35mm
XX ±0.25mm
Date
09-12-04
Design.
Pandiscia M.
Contr.
Chiappini R.



Denomination STRIP HEADERS, RIGHT ANGLE,
PLASTIC HEIGHT 2.5mm, PITCH 2.54mm.

Code **47297161XX4Y0**
 File: 47297161XX4Y0

index

QUESTO DISEGNO E' DI PROPRIETA' DELLA KONTEK COMATEL S.p.a. E NON PUO' ESSERE USATO, E/O CEDUTO A TERZI SENZA IL PERMESSO SCRITTO DELLA KONTEK COMATEL S.p.a.