

---

---

## Multiple Output MEMS PCIe Gen1/2/3/4 Clocks for Automotive

---

---

### Features

- Automotive AEC-Q100 Qualified
- Complies with PCIe Gen1/2/3/4 Common Clock Spec
- Integrated MEMS Resonator Eliminates the Need for External 25 MHz Crystal
- Wide Temperature Range:
  - Automotive Grade 2: -40°C to +105°C
  - Automotive Grade 3: -40°C to +85°C
- 100 MHz HCSL/LVDS/LVCMOS Options Available
- Dedicated Output Pins for Clock Outputs
- Small Footprints:
  - 14-Lead QFN (DSA557-03, Two Outputs)
  - 20-Lead VQFN (DSA557-04, Three Outputs; DSA557-05, Four Outputs)
- Excellent Shock and Vibration Immunity
  - Qualified to MIL-STD-883
- High Reliability
  - 20x Better MTF than Quartz Oscillators
- Low Current Consumption: 30% Lower than Competing Devices
- Supply Range of 2.25V to 3.63V
- Lead-Free and RoHS Compliant

### Applications

- Automotive Infotainment
- Automotive ADAS
- Autonomous Driving
- In-Vehicle Network

### General Description

The DSA557 series of high performance PCI Express clock generators use a proven silicon MEMS technology to provide 100 MHz differential output clocks with excellent jitter and stability over a wide range of supply voltages and temperatures. By eliminating the need for quartz or SAW technology, MEMS oscillators significantly enhance reliability and accelerate product development, while meeting stringent clock performance criteria for a variety of communications, storage, and networking applications.

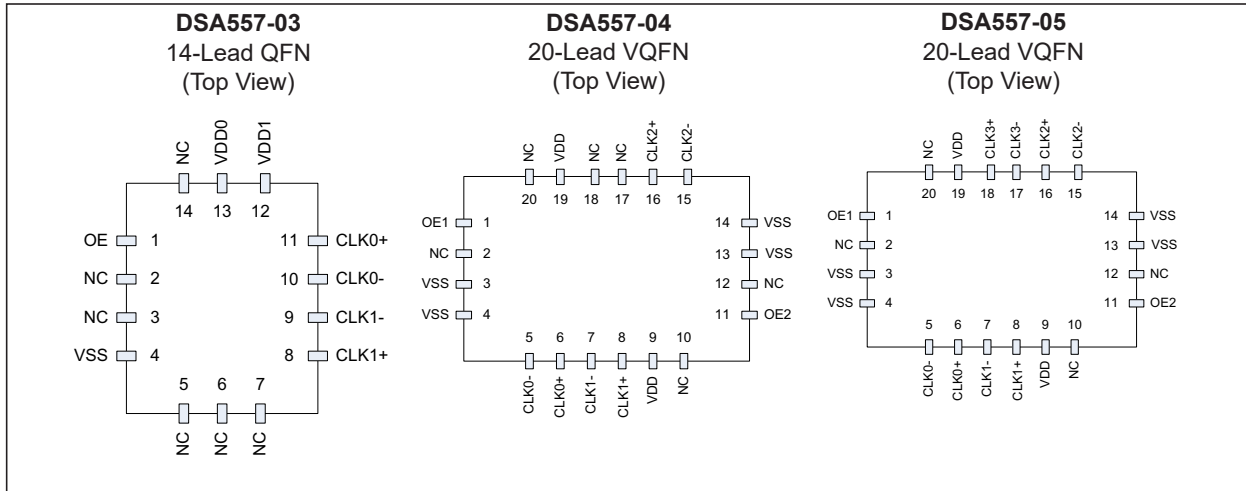
The DSA557-03/04/05 have two, three, and four 100 MHz outputs, respectively. All have output enable/disable features.

The DSA557-03 is available in a space-saving 14-lead QFN package. The DSA557-04 and DSA557-05 are available in a 20-lead VQFN.

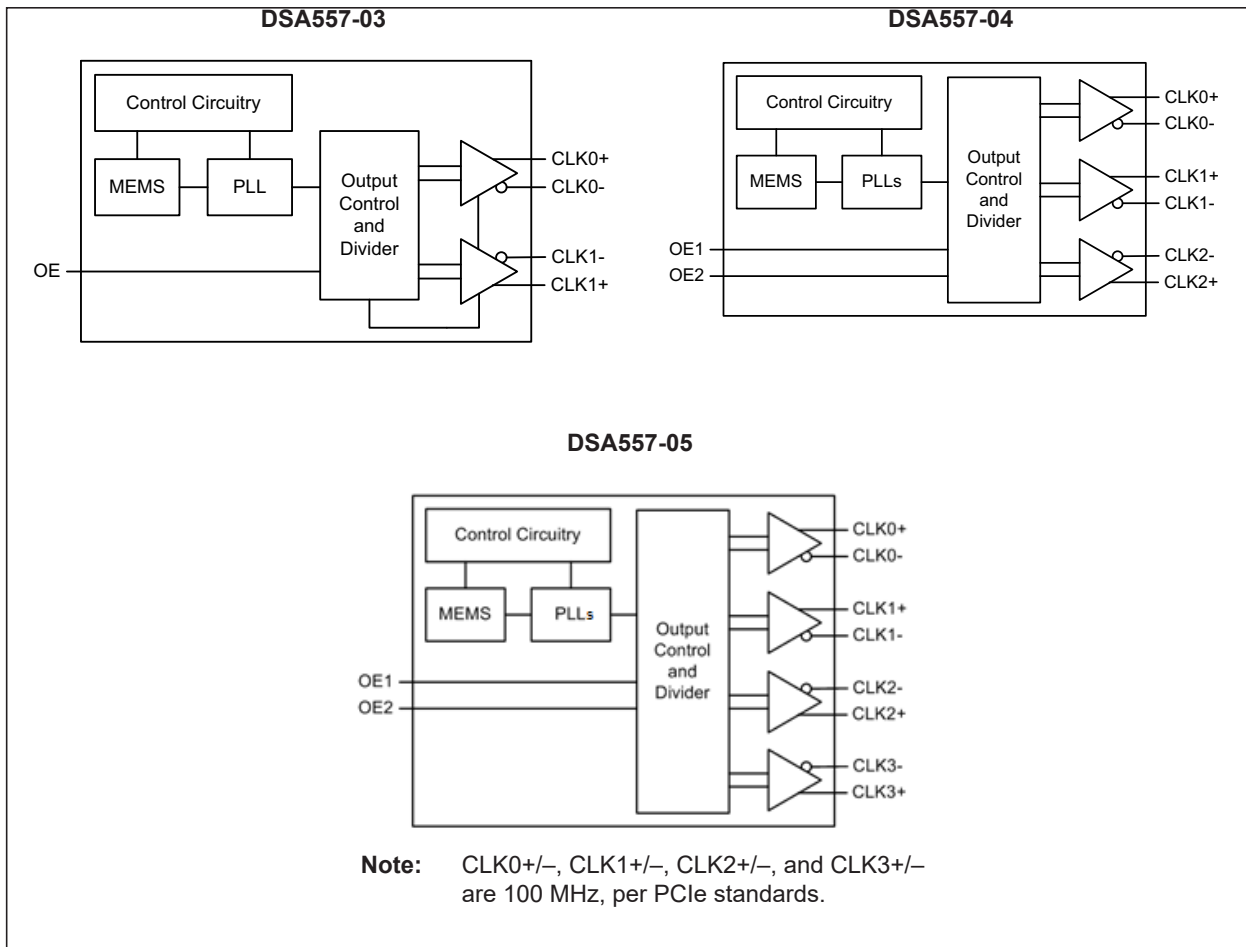
Additional LVDS and LVCMOS output formats are available in addition to the default HCSL output format.

# DSA557-03/04/05

## Package Types



## Block Diagrams



## 1.0 ELECTRICAL CHARACTERISTICS

### Absolute Maximum Ratings †

Input Voltage .....	-0.3V to $V_{DD} + 0.3V$
Supply Voltage .....	-0.3V to +4.0V
ESD Protection on All Pins (HBM) .....	4 kV
ESD Protection on All Pins (CDM) .....	1.5 kV

† **Notice:** Stresses above those listed under “Absolute Maximum Ratings” may cause permanent damage to the device. This is a stress rating only and functional operation of the device at those or any other conditions above those indicated in the operational sections of this specification is not intended. Exposure to maximum rating conditions for extended periods may affect device reliability.

### ELECTRICAL CHARACTERISTICS

Electrical Characteristics: Unless otherwise specified, T = +25°C, $V_{DD} = 3.3V$ .						
Parameter	Symbol	Min.	Typ.	Max.	Units	Conditions
Supply Voltage	$V_{DD}$	2.25	—	3.63	V	Note 1
Supply Current, DSA557-03	$I_{DD}$	—	21	23	mA	HCSL output, EN pin low, output disabled
		—	60	—		HCSL output, EN pin high, output enabled
Supply Current, DSA557-04	$I_{DD}$	—	42	46	mA	HCSL output, EN pin low, output disabled
		—	100	—		HCSL output, EN pin high, output enabled
Supply Current, DSA557-05	$I_{DD}$	—	42	46	mA	HCSL output, EN pin low, output disabled
		—	120	—		HCSL output, EN pin high, output enabled
Frequency Stability (including frequency variations due to initial tolerance, temp., and power supply voltage)	$\Delta f$	—	—	$\pm 100$	ppm	All temperature ranges
		—	—	$\pm 50$		
Aging - 1st Year	$\Delta f$	—	—	$\pm 5$	ppm	$\pm 1$ ppm each subsequent year
Startup Time (Note 2)	$t_{SU}$	—	—	5	ms	T = +25°C
<b>Input Logic Levels</b>						
Input Logic High	$V_{IH}$	$0.75 \times V_{DD}$	—	—	V	—
Input Logic Low	$V_{IL}$	—	—	$0.25 \times V_{DD}$	V	—
Output Disable Time (Note 3)	$t_{DS}$	—	—	5	ns	—
Output Enable Time	$t_{EN}$	—	—	20	ns	—
Enable Pull-Up Resistor (Note 4)	—	—	40	—	k $\Omega$	Internally pulled up
<b>HCSL Outputs (Note 5)</b>						
Output Logic High	$V_{OH}$	0.725	—	—	V	$R_L = 50\Omega$
Output Logic Low	$V_{OL}$	—	—	0.1	V	$R_L = 50\Omega$
Peak-to-Peak Output Swing	—	—	750	—	mV	Single-Ended
Output Frequency	$f_{OUT}$	—	100	—	MHz	—

# DSA557-03/04/05

## ELECTRICAL CHARACTERISTICS (CONTINUED)

Electrical Characteristics: Unless otherwise specified, T = +25°C, V <sub>DD</sub> = 3.3V.						
Parameter	Symbol	Min.	Typ.	Max.	Units	Conditions
Output Transition Time (Note 6)	t <sub>r</sub> /t <sub>f</sub>	200	—	400	ps	20% to 80%, R <sub>L</sub> = 50Ω, C <sub>L</sub> = 2 pF
Output Duty Cycle	SYM	48	—	52	%	Differential
Period Jitter (Note 7)	J <sub>PER</sub>	—	2.5	—	ps <sub>RMS</sub>	f <sub>01</sub> = f <sub>02</sub> = 100 MHz
Jitter, Phase (Common Clock Architecture)	T <sub>J</sub>	—	23	86	ps <sub>PP</sub>	PCIe Gen 1.1, (Note 8) T <sub>J</sub> = D <sub>J</sub> + 14.069 x R <sub>J</sub> (BER 10 <sup>-12</sup> )
	J <sub>RMS-CCHF</sub>	—	2.20	3.1	ps <sub>RMS</sub>	PCIe Gen 2.1, 1.5 MHz to Nyquist, (Note 8)
	J <sub>RMS-CCLF</sub>	—	0.08	3.0	ps <sub>RMS</sub>	PCIe Gen 2.1, 10 kHz to 1.5 MHz, (Note 8)
	J <sub>RMS-CC</sub>	—	0.37	1.0	ps <sub>RMS</sub>	PCIe Gen 3.0, (Note 8)
	J <sub>RMS-CC</sub>	—	200	500	fs <sub>RMS</sub>	PCIe Gen 4.0, 16 GHz
Integrated Phase Noise (Data Clock Architecture)	J <sub>RMS-DCHF</sub>	—	2.15	4.0	ps <sub>RMS</sub>	PCIe Gen 2.1, 1.5 MHz to Nyquist, (Note 8)
	J <sub>RMS-DCLF</sub>	—	0.06	7.5	ps <sub>RMS</sub>	PCIe Gen 2.1, 10 kHz to 1.5 MHz, (Note 8)
	J <sub>RMS-DC</sub>	—	0.32	1.0	ps <sub>RMS</sub>	PCIe Gen 3.0, (Note 8)
<b>LVDS Output</b>						
Offset Voltage	V <sub>OS</sub>	1.125	1.25	1.40	V	V <sub>DD</sub> = 2.5V/3.3V
V <sub>OS</sub> Magnitude Change	ΔV <sub>OS</sub>	—	—	50	mV	—
Output High Voltage	V <sub>OH</sub>	0.9xV <sub>DD</sub>	—	—	V	??? mA test current
Output Low Voltage	V <sub>OL</sub>	—	—	0.1xV <sub>DD</sub>	V	??? mA test current
Output Frequency	f <sub>OUT</sub>	—	100	—	MHz	—
Differential Output Voltage	V <sub>OD</sub>	275	350	475	mV <sub>PP</sub>	—
V <sub>OD</sub> Magnitude Change	ΔV <sub>OD</sub>	—	—	40	mV	—
LVDS Output Rise/Fall Time	t <sub>r</sub> /t <sub>f</sub>	—	200	—	ps	20% – 80%
Output Duty Cycle	ODC	48	50	52	%	20% – 80%, R <sub>L</sub> = 50Ω, C <sub>L</sub> = 2 pF
Period Jitter, Peak to Peak	J <sub>PTP</sub>	—	2.5	—	ps	f <sub>OUT</sub> = 100 MHz, Standard Drive
Integrated Phase Noise	J <sub>PH</sub>	—	0.28	—	ps <sub>RMS</sub>	200 kHz to 20 MHz @ 100 MHz, T <sub>A</sub> = +105°C
		—	0.4	—		100 kHz to 80 MHz @ 100 MHz
		—	1.7	2.0		12 kHz to 10 MHz @ 100 MHz

## ELECTRICAL CHARACTERISTICS (CONTINUED)

Electrical Characteristics: Unless otherwise specified, T = +25°C, V<sub>DD</sub> = 3.3V.

Parameter	Symbol	Min.	Typ.	Max.	Units	Conditions
<b>LVC MOS Output</b>						
Output High Voltage	V <sub>OH</sub>	0.8xV <sub>DD</sub>	—	—	V	±10 mA drive current
Output Low Voltage	V <sub>OL</sub>	—	—	0.2xV <sub>DD</sub>	V	±10 mA drive current
Output Frequency	f <sub>OUT</sub>	—	100	—	MHz	—
Output Rise/Fall Time	t <sub>r</sub> /t <sub>f</sub>	—	1.2	—	ns	20% – 80%, C <sub>L</sub> = 15 pF
Output Duty Cycle	ODC	48	50	52	%	f <sub>OUT</sub> = 100 MHz, Standard Drive
Period Jitter	J <sub>P TP</sub>	—	3	—	pS <sub>RMS</sub>	f <sub>OUT</sub> = 100 MHz, Standard Drive
Integrated Phase Noise	J <sub>PH</sub>	—	0.3	—	pS <sub>RMS</sub>	200 kHz to 20 MHz @ 100 MHz
		—	0.38	—		100 kHz to 20 MHz @ 100 MHz
		—	1.7	2.0		12 kHz to 20 MHz @ 100 MHz

- Note 1:** Each pin V<sub>DD</sub> should be filtered with a 0.1 μF capacitor.
- 2:** t<sub>SU</sub> is time to 100 ppm of output frequency after V<sub>DD</sub> is applied and outputs are enabled.
- 3:** Output Waveform and Test Circuit figures define the parameters.
- 4:** Output is enabled if pad is floated or not connected.
- 5:** Contact Microchip for alternate output options (LVDS, LVC MOS).
- 6:** Output Waveform and Connection Diagram define the parameters.
- 7:** Period Jitter includes crosstalk from adjacent output.
- 8:** Jitter limits established by Gen 1.1, Gen 2.1, Gen 3.0, and Gen 4.0 PCIe standards.

## TEMPERATURE SPECIFICATIONS

Parameters	Sym.	Min.	Typ.	Max.	Units	Conditions
<b>Temperature Ranges</b>						
Operating Temperature Range	T <sub>A</sub>	-40	—	+85	°C	Ordering Option I
		-40	—	+105	°C	Ordering Option L
Junction Operating Temperature	T <sub>J</sub>	—	—	+150	°C	—
Storage Temperature Range	T <sub>S</sub>	-55	—	+150	°C	—
Lead Temperature	—	—	+260	—	°C	Soldering, 40s

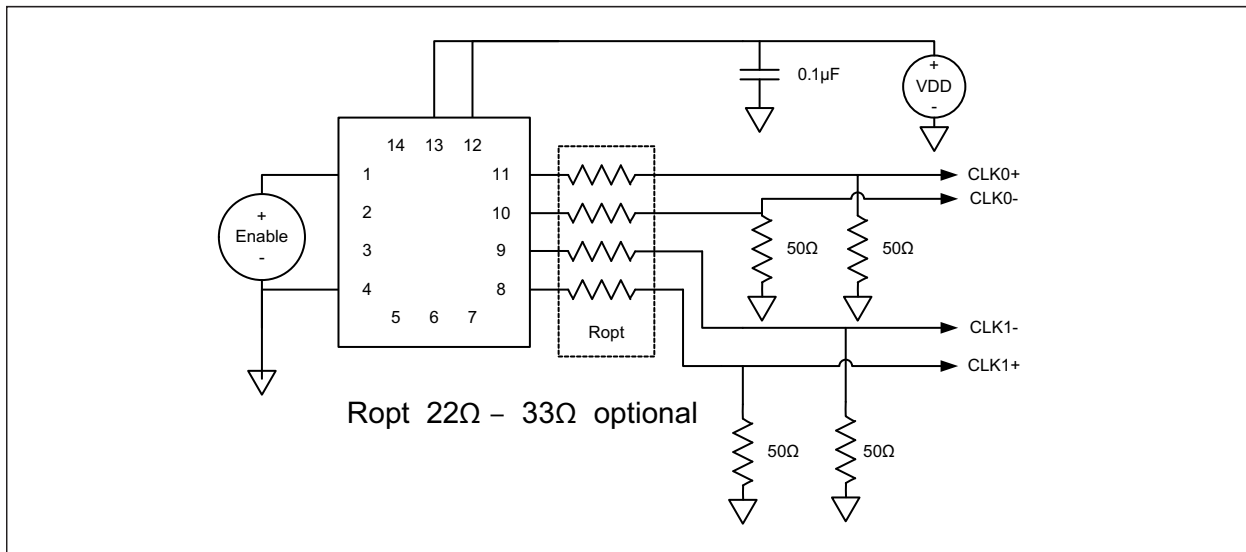
# DSA557-03/04/05

## 2.0 PIN DESCRIPTIONS AND CONNECTION DIAGRAMS

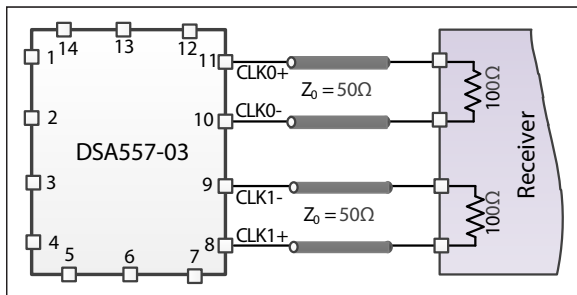
The descriptions of the pins are listed in [Table 2-1](#), [Table 2-2](#), and [Table 2-3](#).

**TABLE 2-1: DSA557-03 QFN-14 PIN FUNCTION TABLE**

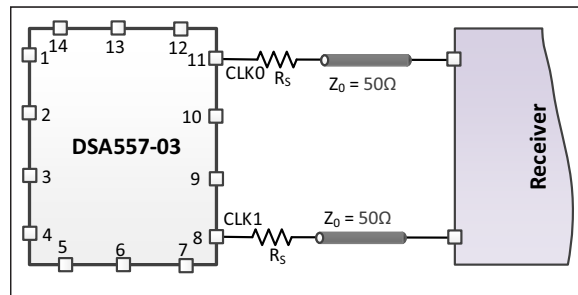
Pin Number	Pin Name	Pin Type	Description
1	OE	I	Output enable, active-high.
2	NC	N/A	Ground recommended or leave as a NC.
3	NC	N/A	Ground recommended or leave as a NC.
4	VSS	P	Ground.
5	NC	N/A	Ground recommended or leave as a NC.
6	NC	N/A	Ground recommended or leave as a NC.
7	NC	N/A	Ground recommended or leave as a NC.
8	CLK1+	O	True output of differential pair.
9	CLK1-	O	Complement output of differential pair.
10	CLK0-	O	Complement output of differential pair.
11	CLK0+	O	True output of differential pair.
12	VDD1	P	Power supply for core and output 1 (CLK1+/CLK1-)
13	VDD0	P	Power supply for output 0 (CLK0+/CLK0-)
14	NC	N/A	Ground recommended or leave as a NC.



**FIGURE 2-1:** 14-Lead QFN Connection Diagram with Two HCSL Outputs.



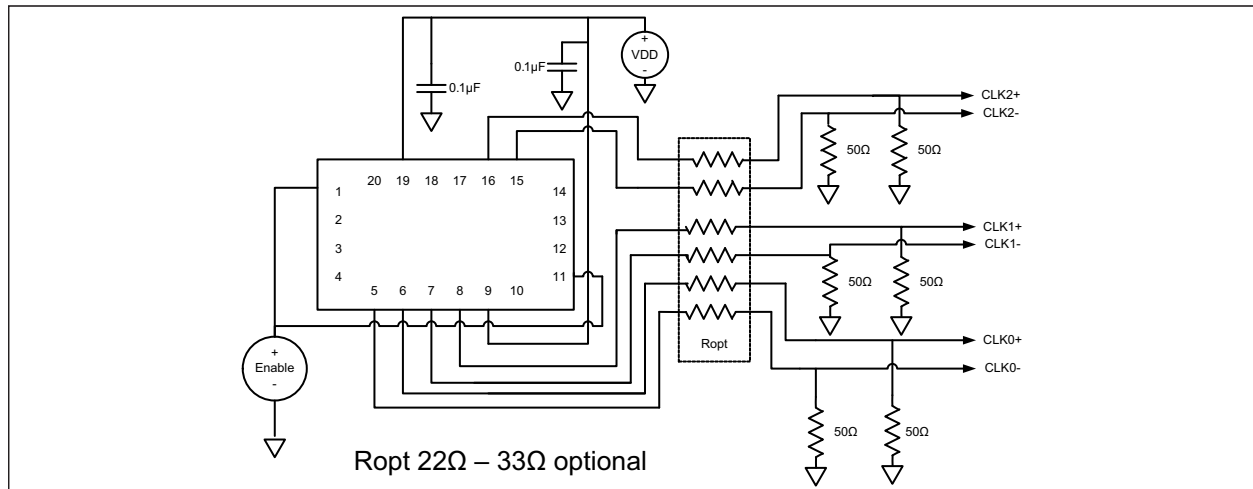
**FIGURE 2-2:** LVDS Outputs.



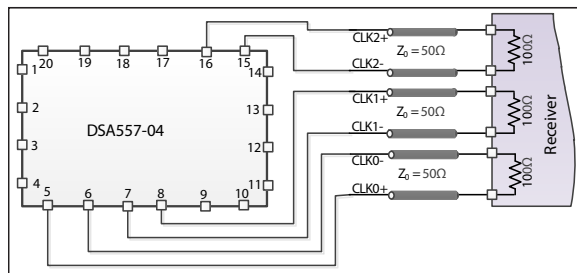
**FIGURE 2-3:** LVCMOS Outputs.

**TABLE 2-2: DSA557-04 QFN-20 PIN FUNCTION TABLE**

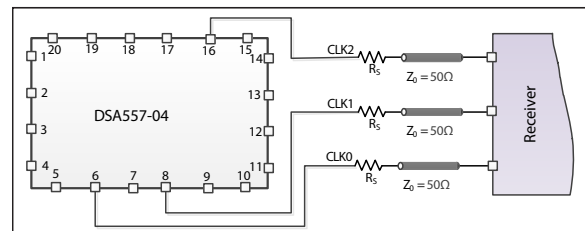
Pin Number	Pin Name	Pin Type	Description
1	OE1	I	Output enable, active-high. Controls CLK0.
2	NC	N/A	Leave unconnected or grounded.
3	VSS	P	Ground.
4	VSS	P	Ground.
5	CLK0-	O	Complement output of differential pair.
6	CLK0+	O	True output of differential pair.
7	CLK1-	O	Complement output of differential pair.
8	CLK1+	O	True output of differential pair.
9	VDD	P	Power supply.
10	NC	N/A	Leave unconnected or grounded.
11	OE2	I	Output enable, active-high. Controls CLK1 and CLK2.
12	NC	N/A	Leave unconnected or grounded.
13	VSS	P	Ground.
14	VSS	P	Ground.
15	CLK2-	O	Complement output of differential pair.
16	CLK2+	O	True output of differential pair.
17	NC	N/A	Leave unconnected or grounded.
18	NC	N/A	Leave unconnected or grounded.
19	VDD	P	Power supply.
20	NC	N/A	Leave unconnected or grounded.



**FIGURE 2-4:** 20-Lead QFN Connection Diagram with Three HCSL Outputs.



**FIGURE 2-5:** LVDS Outputs.

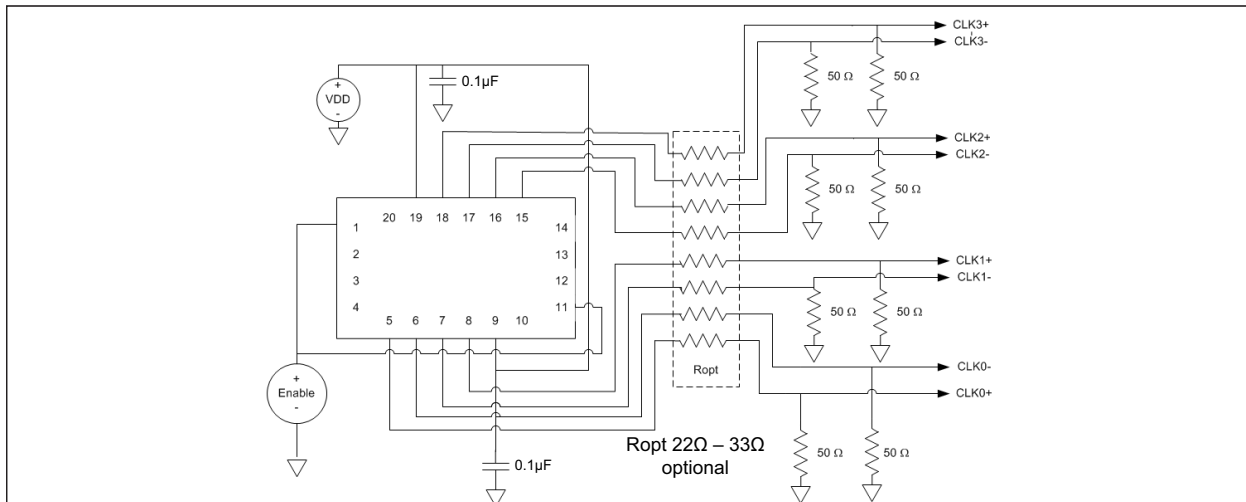


**FIGURE 2-6:** LVCMOS Outputs.

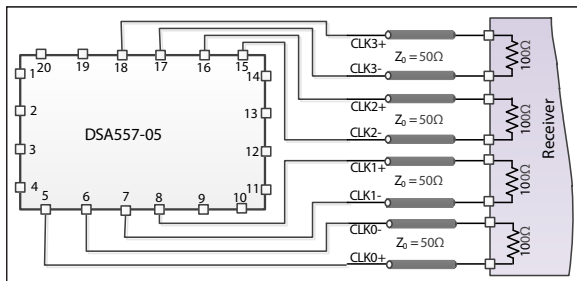
# DSA557-03/04/05

**TABLE 2-3: DSA557-05 QFN-20 PIN FUNCTION TABLE**

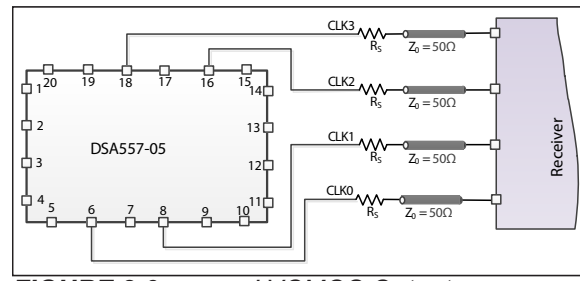
Pin Number	Pin Name	Pin Type	Description
1	OE1	I	Output enable, active-high. Controls CLK0 and CLK1.
2	NC	N/A	Leave unconnected or grounded.
3	VSS	P	Ground.
4	VSS	P	Ground.
5	CLK0-	O	Complement output of differential pair.
6	CLK0+	O	True output of differential pair.
7	CLK1-	O	Complement output of differential pair.
8	CLK1+	O	True output of differential pair.
9	VDD	P	Power supply.
10	NC	N/A	Leave unconnected or grounded.
11	OE2	I	Output enable, active-high. Controls CLK1 and CLK2.
12	NC	N/A	Leave unconnected or grounded.
13	VSS	P	Ground.
14	VSS	P	Ground.
15	CLK2-	O	Complement output of differential pair.
16	CLK2+	O	True output of differential pair.
17	CLK3-	O	Complement output of differential pair.
18	CLK3+	O	True output of differential pair.
19	VDD	P	Power supply.
20	NC	N/A	Leave unconnected or grounded.



**FIGURE 2-7:** 20-Lead QFN Connection Diagram with Four HCSL Outputs.



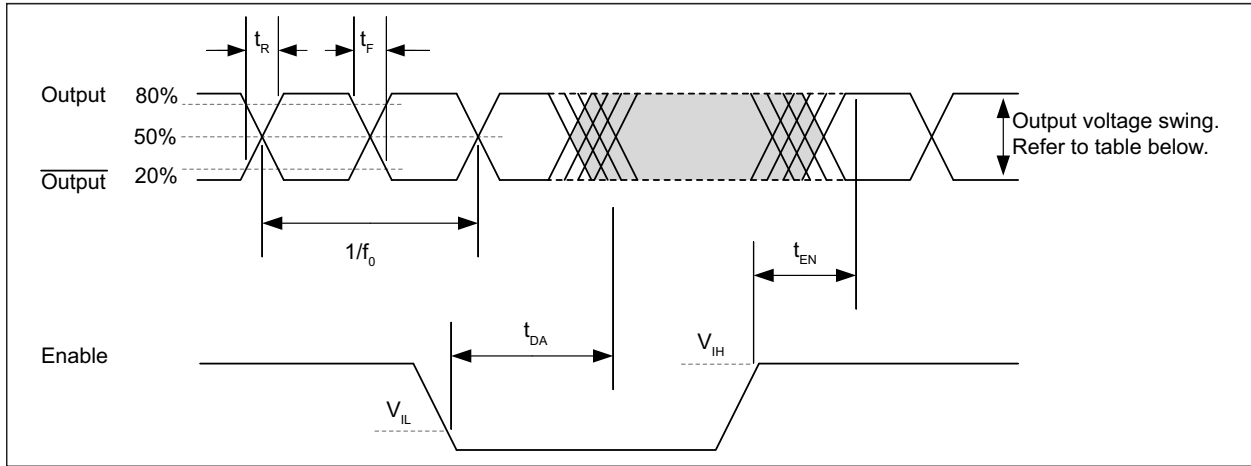
**FIGURE 2-8:** LVDS Outputs.



**FIGURE 2-9:** LVCMOS Outputs.



## 3.0 OUTPUT WAVEFORM

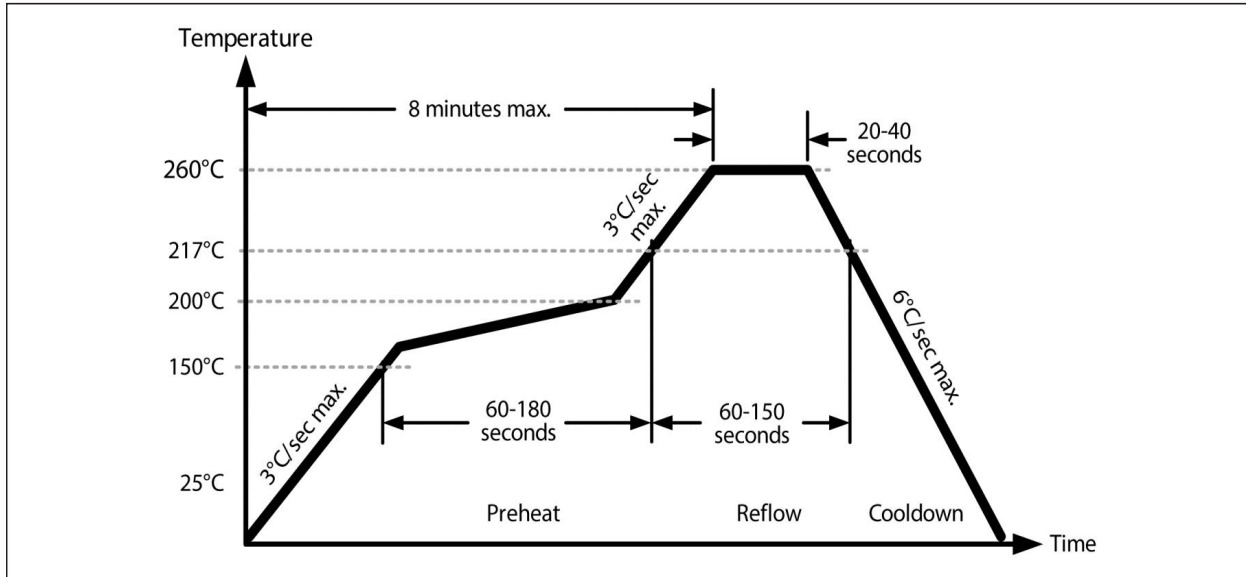


**FIGURE 3-1:** DSA557-03/04/05 Output Waveform.

**TABLE 3-1: OUTPUT VOLTAGE SWING**

Specification	$V_{CM}$	$V_{SWING\_SE}$ (typ.)
LVDS	1.2V	350 mV
HCSL	350 mV	675 mV

## 4.0 SOLDER REFLOW PROFILE



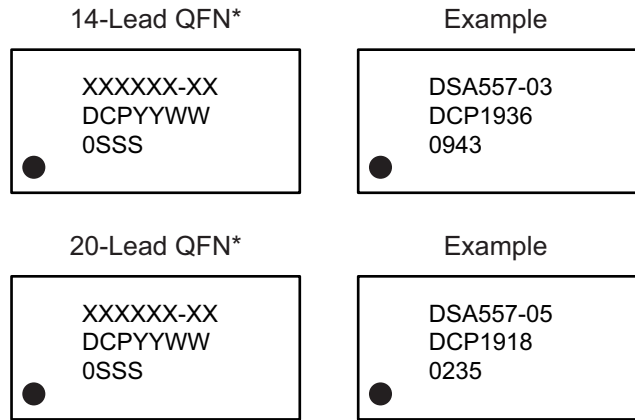
**FIGURE 4-1:** Solder Reflow Profile.

**TABLE 4-1: SOLDER REFLOW**

QFN-14 MSL 1 @ 260°C Refer to JSTD-020C TSSOP-16 MSL 3 @ 260°C Refer to JSTD-020C	
Ramp-Up Rate (200°C to Peak Temp.)	3°C/sec. max.
Preheat Time 150°C to 200°C	60 to 180 sec.
Time Maintained above 217°C	60 to 150 sec.
Peak Temperature	255°C to 260°C
Time within 5°C of Actual Peak	20 to 40 sec.
Ramp-Down Rate	6°C/sec. max.
Time 25°C to Peak Temperature	8 minutes max.

## 5.0 PACKAGING INFORMATION

### 5.1 Package Marking Information



<p><b>Legend:</b> XX...X Product code          Y Year code (last digit of calendar year)          YY Year code (last 2 digits of calendar year)          WW Week code (week of January 1 is week '01')          SSS Alphanumeric traceability code          Pb-free JEDEC® designator for Matte Tin (Sn)          (e3) This package is Pb-free. The Pb-free JEDEC designator ( ) can be found on the outer packaging for this package. (e3)          ●, ▲, ▼ Pin one index is identified by a dot, delta up, or delta down (triangle mark).</p>
<p><b>Note:</b> In the event the full Microchip part number cannot be marked on one line, it will be carried over to the next line, thus limiting the number of available characters for customer-specific information. Package may or may not include the corporate logo.          Underbar ( ) and/or Overbar ( ) symbol may not be to scale.</p>

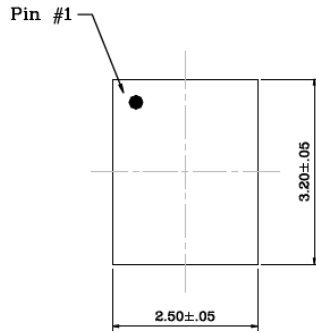
# DSA557-03/04/05

## TITLE

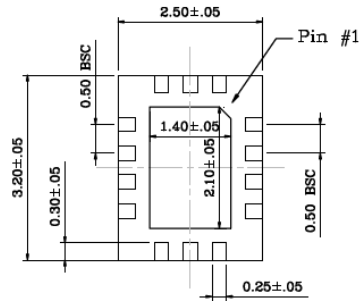
14 LEAD QFN 2.5x3.2mm PACKAGE OUTLINE & RECOMMENDED LAND PATTERN

DRAWING # QFN2532-14LD-PL-1

UNIT MM



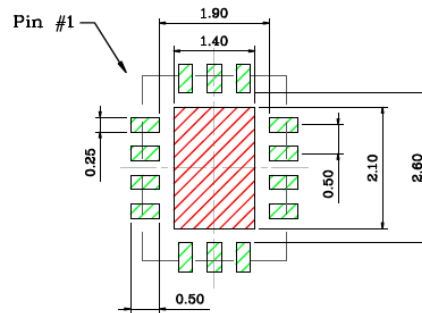
Top View



Bottom View



Side View



Recommended Land Pattern

## NOTE:

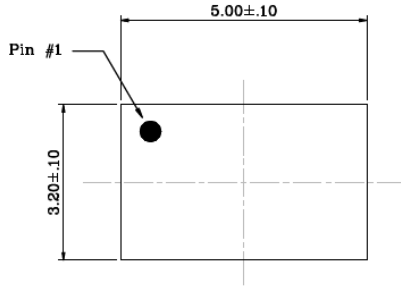
1. Green shaded rectangles in Recommended Land Pattern are solder stencil opening.
2. Red shaded rectangle in Recommended Land Pattern is keep out area.

Note: For the most current package drawings, please see the Microchip Packaging Specification located at <http://www.microchip.com/packaging>.

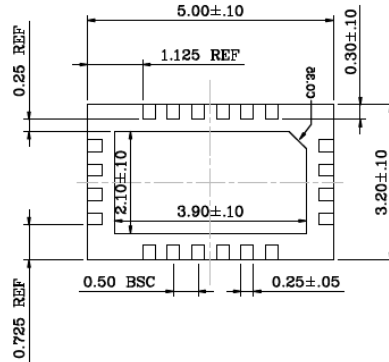
**TITLE**

20 LEAD QFN 5.0x3.2mm PACKAGE OUTLINE & RECOMMENDED LAND PATTERN

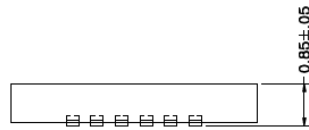
DRAWING #	UNIT	MM
QFN5032-20LD-PL-1		



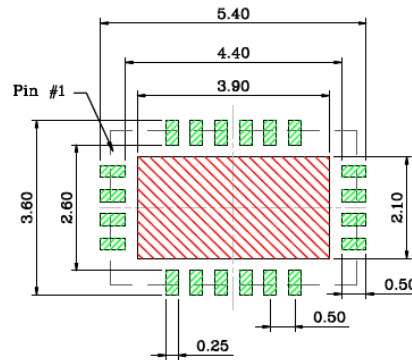
Top View



Bottom View



Side View



Recommended Land Pattern

**NOTE:**

1. Green shaded rectangles in Recommended Land Pattern are solder stencil opening.
2. Red shaded rectangle in Recommended Land Pattern is keep-out area.

Note: For the most current package drawings, please see the Microchip Packaging Specification located at <http://www.microchip.com/packaging>.

NOTES:

## APPENDIX A: REVISION HISTORY

### Revision A (April 2019)

- Initial release of DSA557-03/04/05 as Microchip data sheet DS20006175A.

### Revision B (May 2020)

- Updated [Product Identification System](#) section to add the Automotive Suffix to the full part number.
- Removed LVPECL option throughout data sheet.
- Added LVDS and LVCMOS information to [Electrical Characteristics](#) section.
- Added [Figure 2-2](#), [Figure 2-3](#), [Figure 2-5](#), [Figure 2-6](#), [Figure 2-8](#), and [Figure 2-9](#).

NOTES:



## PRODUCT IDENTIFICATION SYSTEM

To order or obtain information, e.g., on pricing or delivery, contact your local Microchip representative or sales office.

<u>PART No.</u>	<u>XXXX</u>	<u>X</u>	<u>X</u>	<u>X</u>	<u>X</u>	<u>XXX</u>
Device	Output Format	Package	Temp. Range	Stability	Packing Option	Automotive Suffix
<p><b>Device:</b></p> <p>DSA557-03: Two Output PCIe Clock Generator for Automotive</p> <p>DSA557-04: Three Output PCIe Clock Generator for Automotive</p> <p>DSA557-05: Four Output PCIe Clock Generator for Automotive</p>						
<p><b>Output Format: (Note 1)</b></p> <p>1 = LVCMOS</p> <p>3 = LVDS</p> <p>4 = HCSL</p>						
<p><b>Package:</b></p> <p>F = 14-Lead QFN (DSA557-03 Only)</p> <p>K = 20-Lead QFN (DSA557-04/05 Only)</p>						
<p><b>Temperature Range:</b></p> <p>L = -40°C to +105°C (Automotive Grade 2)</p> <p>I = -40°C to +85°C (Automotive Grade 3)</p>						
<p><b>Stability:</b></p> <p>0 = ±100 ppm</p> <p>1 = ±50 ppm</p>						
<p><b>Packing Option:</b></p> <p>&lt;blank&gt;= 72/Tube (DSA557-04/05)</p> <p>&lt;blank&gt;= 96/Tube (DSA557-03)</p> <p>T = 1000/Reel (All Package Options)</p>						
<p><b>Automotive Suffix:</b> Vxx = Automotive suffix in which "xx" is assigned by Microchip. Default value is "AO" for standard automotive part.</p>						
<p><b>Examples:</b></p> <p>a) DSA557-0344FL0VAO: Two HCSL Outputs PCIe Clock Generator for Automotive, 14-Lead QFN, -40°C to +105°C Temperature Range, ±100 ppm Stability, 96/Tube, Standard Automotive</p> <p>b) DSA557-04111K11TVAO: Three LVCMOS Outputs PCIe Clock Generator for Automotive, 20-Lead QFN, -40°C to +85°C Temperature Range, ±50 ppm Stability, 1000/Reel, Standard Automotive</p> <p>c) DSA557-053344KL0VAO: Four Output PCIe Clock Generator for Automotive, (CLK3/CLK2: LVDS, CLK1/CLK0: HCSL), 20-Lead QFN, -40°C to +105°C Temperature Range, ±100 ppm Stability, 96/Tube, Standard Automotive</p>						
<p><b>Note 1:</b> Tape and Reel identifier only appears in the catalog part number description. This identifier is used for ordering purposes and is not printed on the device package. Check with your Microchip Sales Office for package availability with the Tape and Reel option.</p>						
<p><b>Note 1:</b> The Output Format's arrangement is CLK3 to CLK0 (left-to-right) and may only have as many digits as that particular part allows. For example, DSA557-03 has two outputs; the part number example can only have two digits in that location. DSA557-04 can only have three and DSA557-05 can only have four.</p>						

NOTES:

---

---

**Note the following details of the code protection feature on Microchip devices:**

- Microchip products meet the specification contained in their particular Microchip Data Sheet.
- Microchip believes that its family of products is one of the most secure families of its kind on the market today, when used in the intended manner and under normal conditions.
- There are dishonest and possibly illegal methods used to breach the code protection feature. All of these methods, to our knowledge, require using the Microchip products in a manner outside the operating specifications contained in Microchip's Data Sheets. Most likely, the person doing so is engaged in theft of intellectual property.
- Microchip is willing to work with the customer who is concerned about the integrity of their code.
- Neither Microchip nor any other semiconductor manufacturer can guarantee the security of their code. Code protection does not mean that we are guaranteeing the product as “unbreakable.”

Code protection is constantly evolving. We at Microchip are committed to continuously improving the code protection features of our products. Attempts to break Microchip's code protection feature may be a violation of the Digital Millennium Copyright Act. If such acts allow unauthorized access to your software or other copyrighted work, you may have a right to sue for relief under that Act.

---

Information contained in this publication regarding device applications and the like is provided only for your convenience and may be superseded by updates. It is your responsibility to ensure that your application meets with your specifications. MICROCHIP MAKES NO REPRESENTATIONS OR WARRANTIES OF ANY KIND WHETHER EXPRESS OR IMPLIED, WRITTEN OR ORAL, STATUTORY OR OTHERWISE, RELATED TO THE INFORMATION, INCLUDING BUT NOT LIMITED TO ITS CONDITION, QUALITY, PERFORMANCE, MERCHANTABILITY OR FITNESS FOR PURPOSE. Microchip disclaims all liability arising from this information and its use. Use of Microchip devices in life support and/or safety applications is entirely at the buyer's risk, and the buyer agrees to defend, indemnify and hold harmless Microchip from any and all damages, claims, suits, or expenses resulting from such use. No licenses are conveyed, implicitly or otherwise, under any Microchip intellectual property rights unless otherwise stated.

### Trademarks

The Microchip name and logo, the Microchip logo, Adaptec, AnyRate, AVR, AVR logo, AVR Freaks, BesTime, BitCloud, chipKIT, chipKIT logo, CryptoMemory, CryptoRF, dsPIC, FlashFlex, flexPWR, HELDO, IGLoo, JukeBlox, KeeLoq, Klear, LANCheck, LinkMD, maXStylus, maXTouch, MediaLB, megaAVR, Microsemi, Microsemi logo, MOST, MOST logo, MPLAB, OptoLyzer, PackeTime, PIC, picoPower, PICSTART, PIC32 logo, PolarFire, Prochip Designer, QTouch, SAM-BA, SenGenuity, SpyNIC, SST, SST Logo, SuperFlash, Symmetricom, SyncServer, Tachyon, TempTracker, TimeSource, tinyAVR, UNI/O, Vectron, and XMEGA are registered trademarks of Microchip Technology Incorporated in the U.S.A. and other countries.

APT, ClockWorks, The Embedded Control Solutions Company, EtherSynch, FlashTec, Hyper Speed Control, HyperLight Load, IntelliMOS, Libero, motorBench, mTouch, Powermite 3, Precision Edge, ProASIC, ProASIC Plus, ProASIC Plus logo, Quiet-Wire, SmartFusion, SyncWorld, Temux, TimeCesium, TimeHub, TimePictra, TimeProvider, Vite, WinPath, and ZL are registered trademarks of Microchip Technology Incorporated in the U.S.A.

Adjacent Key Suppression, AKS, Analog-for-the-Digital Age, Any Capacitor, AnyIn, AnyOut, BlueSky, BodyCom, CodeGuard, CryptoAuthentication, CryptoAutomotive, CryptoCompanion, CryptoController, dsPICDEM, dsPICDEM.net, Dynamic Average Matching, DAM, ECAN, EtherGREEN, In-Circuit Serial Programming, ICSP, INICnet, Inter-Chip Connectivity, JitterBlocker, KlearNet, KlearNet logo, memBrain, Mindi, MiWi, MPASM, MPF, MPLAB Certified logo, MPLIB, MPLINK, MultiTRAK, NetDetach, Omniscient Code Generation, PICDEM, PICDEM.net, PICKit, PICtail, PowerSmart, PureSilicon, QMatrix, REAL ICE, Ripple Blocker, SAM-ICE, Serial Quad I/O, SMART-I.S., SQI, SuperSwitcher, SuperSwitcher II, Total Endurance, TSHARC, USBCheck, VariSense, ViewSpan, WiperLock, Wireless DNA, and ZENA are trademarks of Microchip Technology Incorporated in the U.S.A. and other countries.

SQTP is a service mark of Microchip Technology Incorporated in the U.S.A.

The Adaptec logo, Frequency on Demand, Silicon Storage Technology, and Symmcom are registered trademarks of Microchip Technology Inc. in other countries.

GestIC is a registered trademark of Microchip Technology Germany II GmbH & Co. KG, a subsidiary of Microchip Technology Inc., in other countries.

All other trademarks mentioned herein are property of their respective companies.

© 2019-2020, Microchip Technology Incorporated, All Rights Reserved.

ISBN: 978-1-5224-6056-5

For information regarding Microchip's Quality Management Systems, please visit [www.microchip.com/quality](http://www.microchip.com/quality).



# MICROCHIP

## Worldwide Sales and Service

### AMERICAS

**Corporate Office**  
2355 West Chandler Blvd.  
Chandler, AZ 85224-6199  
Tel: 480-792-7200  
Fax: 480-792-7277  
Technical Support:  
<http://www.microchip.com/support>  
Web Address:  
[www.microchip.com](http://www.microchip.com)

#### Atlanta

Duluth, GA  
Tel: 678-957-9614  
Fax: 678-957-1455

#### Austin, TX

Tel: 512-257-3370

#### Boston

Westborough, MA  
Tel: 774-760-0087  
Fax: 774-760-0088

#### Chicago

Itasca, IL  
Tel: 630-285-0071  
Fax: 630-285-0075

#### Dallas

Addison, TX  
Tel: 972-818-7423  
Fax: 972-818-2924

#### Detroit

Novi, MI  
Tel: 248-848-4000

#### Houston, TX

Tel: 281-894-5983

#### Indianapolis

Noblesville, IN  
Tel: 317-773-8323  
Fax: 317-773-5453  
Tel: 317-536-2380

#### Los Angeles

Mission Viejo, CA  
Tel: 949-462-9523  
Fax: 949-462-9608  
Tel: 951-273-7800

#### Raleigh, NC

Tel: 919-844-7510

#### New York, NY

Tel: 631-435-6000

#### San Jose, CA

Tel: 408-735-9110  
Tel: 408-436-4270

#### Canada - Toronto

Tel: 905-695-1980  
Fax: 905-695-2078

### ASIA/PACIFIC

**Australia - Sydney**  
Tel: 61-2-9868-6733

**China - Beijing**  
Tel: 86-10-8569-7000

**China - Chengdu**  
Tel: 86-28-8665-5511

**China - Chongqing**  
Tel: 86-23-8980-9588

**China - Dongguan**  
Tel: 86-769-8702-9880

**China - Guangzhou**  
Tel: 86-20-8755-8029

**China - Hangzhou**  
Tel: 86-571-8792-8115

**China - Hong Kong SAR**  
Tel: 852-2943-5100

**China - Nanjing**  
Tel: 86-25-8473-2460

**China - Qingdao**  
Tel: 86-532-8502-7355

**China - Shanghai**  
Tel: 86-21-3326-8000

**China - Shenyang**  
Tel: 86-24-2334-2829

**China - Shenzhen**  
Tel: 86-755-8864-2200

**China - Suzhou**  
Tel: 86-186-6233-1526

**China - Wuhan**  
Tel: 86-27-5980-5300

**China - Xian**  
Tel: 86-29-8833-7252

**China - Xiamen**  
Tel: 86-592-2388138

**China - Zhuhai**  
Tel: 86-756-3210040

### ASIA/PACIFIC

**India - Bangalore**  
Tel: 91-80-3090-4444

**India - New Delhi**  
Tel: 91-11-4160-8631

**India - Pune**  
Tel: 91-20-4121-0141

**Japan - Osaka**  
Tel: 81-6-6152-7160

**Japan - Tokyo**  
Tel: 81-3-6880-3770

**Korea - Daegu**  
Tel: 82-53-744-4301

**Korea - Seoul**  
Tel: 82-2-554-7200

**Malaysia - Kuala Lumpur**  
Tel: 60-3-7651-7906

**Malaysia - Penang**  
Tel: 60-4-227-8870

**Philippines - Manila**  
Tel: 63-2-634-9065

**Singapore**  
Tel: 65-6334-8870

**Taiwan - Hsin Chu**  
Tel: 886-3-577-8366

**Taiwan - Kaohsiung**  
Tel: 886-7-213-7830

**Taiwan - Taipei**  
Tel: 886-2-2508-8600

**Thailand - Bangkok**  
Tel: 66-2-694-1351

**Vietnam - Ho Chi Minh**  
Tel: 84-28-5448-2100

### EUROPE

**Austria - Wels**  
Tel: 43-7242-2244-39  
Fax: 43-7242-2244-393

**Denmark - Copenhagen**  
Tel: 45-4485-5910  
Fax: 45-4485-2829

**Finland - Espoo**  
Tel: 358-9-4520-820

**France - Paris**  
Tel: 33-1-69-53-63-20  
Fax: 33-1-69-30-90-79

**Germany - Garching**  
Tel: 49-8931-9700

**Germany - Haan**  
Tel: 49-2129-3766400

**Germany - Heilbronn**  
Tel: 49-7131-72400

**Germany - Karlsruhe**  
Tel: 49-721-625370

**Germany - Munich**  
Tel: 49-89-627-144-0  
Fax: 49-89-627-144-44

**Germany - Rosenheim**  
Tel: 49-8031-354-560

**Israel - Ra'anana**  
Tel: 972-9-744-7705

**Italy - Milan**  
Tel: 39-0331-742611  
Fax: 39-0331-466781

**Italy - Padova**  
Tel: 39-049-7625286

**Netherlands - Drunen**  
Tel: 31-416-690399  
Fax: 31-416-690340

**Norway - Trondheim**  
Tel: 47-7288-4388

**Poland - Warsaw**  
Tel: 48-22-3325737

**Romania - Bucharest**  
Tel: 40-21-407-87-50

**Spain - Madrid**  
Tel: 34-91-708-08-90  
Fax: 34-91-708-08-91

**Sweden - Gothenberg**  
Tel: 46-31-704-60-40

**Sweden - Stockholm**  
Tel: 46-8-5090-4654

**UK - Wokingham**  
Tel: 44-118-921-5800  
Fax: 44-118-921-5820