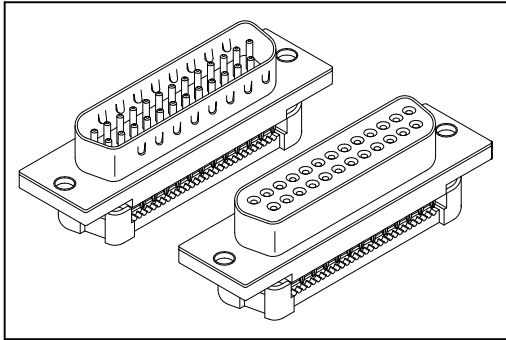


7901 Series

D-SUB I.D.C. Type



Material:

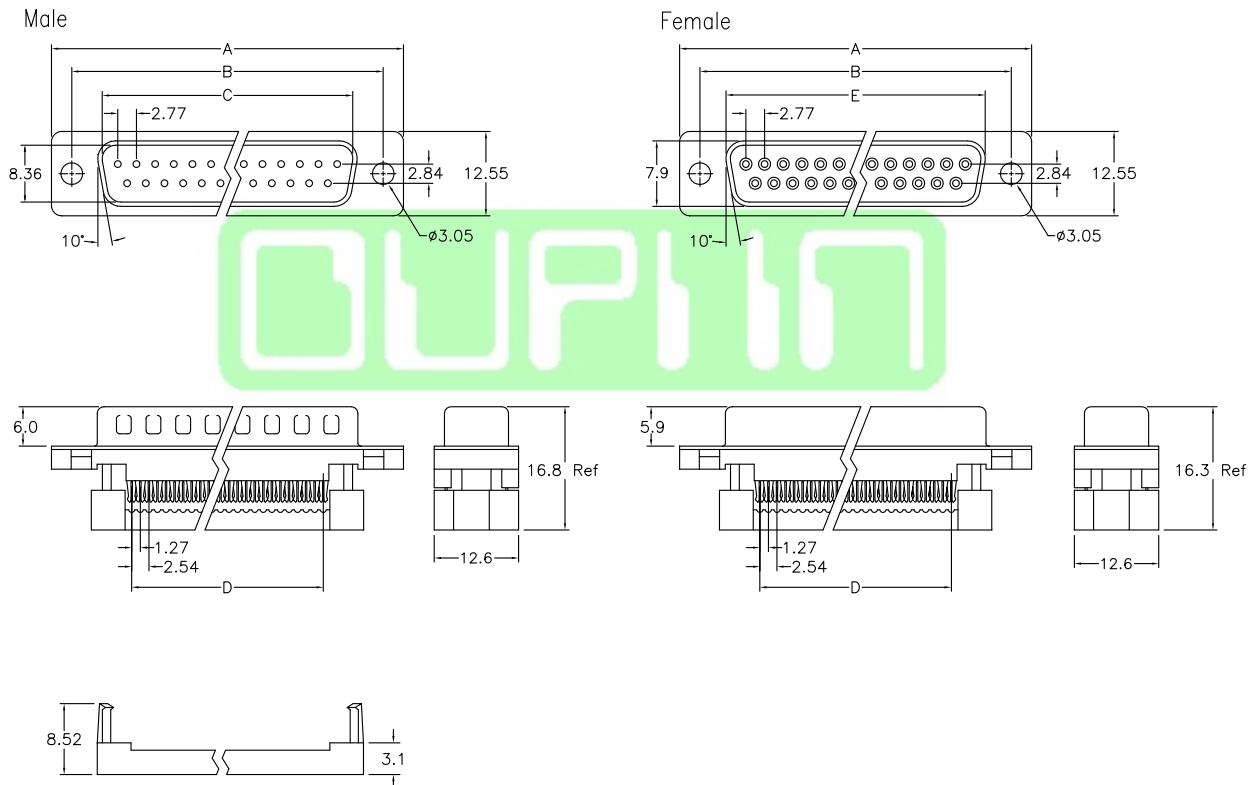
Housing: Thermoplastic Polyester Glass Filled UL94V-0.
 Contacts: Copper Alloy.
 Shell: Metal.

Electrical Characteristics:

Current Rating: 1 A.
 Dielectric Withstanding Voltage: AC 1000V.
 Insulator Resistance: 1000M Ω min.
 Contact Resistance: 20m Ω max.
 Operating Temperature: -55°C~+105°C.

Features:

- * Recommended 1.27mm flat cable.
 - * Easy to assembly.
- Mates with: 7905, 7906, 7926.



Position	Dimension					
	A	B	C	D	E	F
9	30.89	24.99	16.92	10.16	16.33	21.78
15	39.14	33.32	25.25	17.78	24.66	29.62
25	53.09	47.04	38.96	30.48	38.38	43.35
37	69.39	63.50	55.45	45.72	54.84	59.92

Ordering information

7901- Series
37 Position
M M: Male
M M: Metal Shell
O N: With 4-40 Thread Insert
U U: Blue
C C: Selective
00 00: G/F
A A: Tray Package
 F: Female
 * P: Plastic
 O: Without 4-40 Thread Insert
 ** B: Black
 Gold Plated

- * Standard metal shell and maybe subject to min. quantity request for full plastic.
- ** Standard color blue and maybe subject to min. quantity request for color black